

零件圖 PARTS LIST



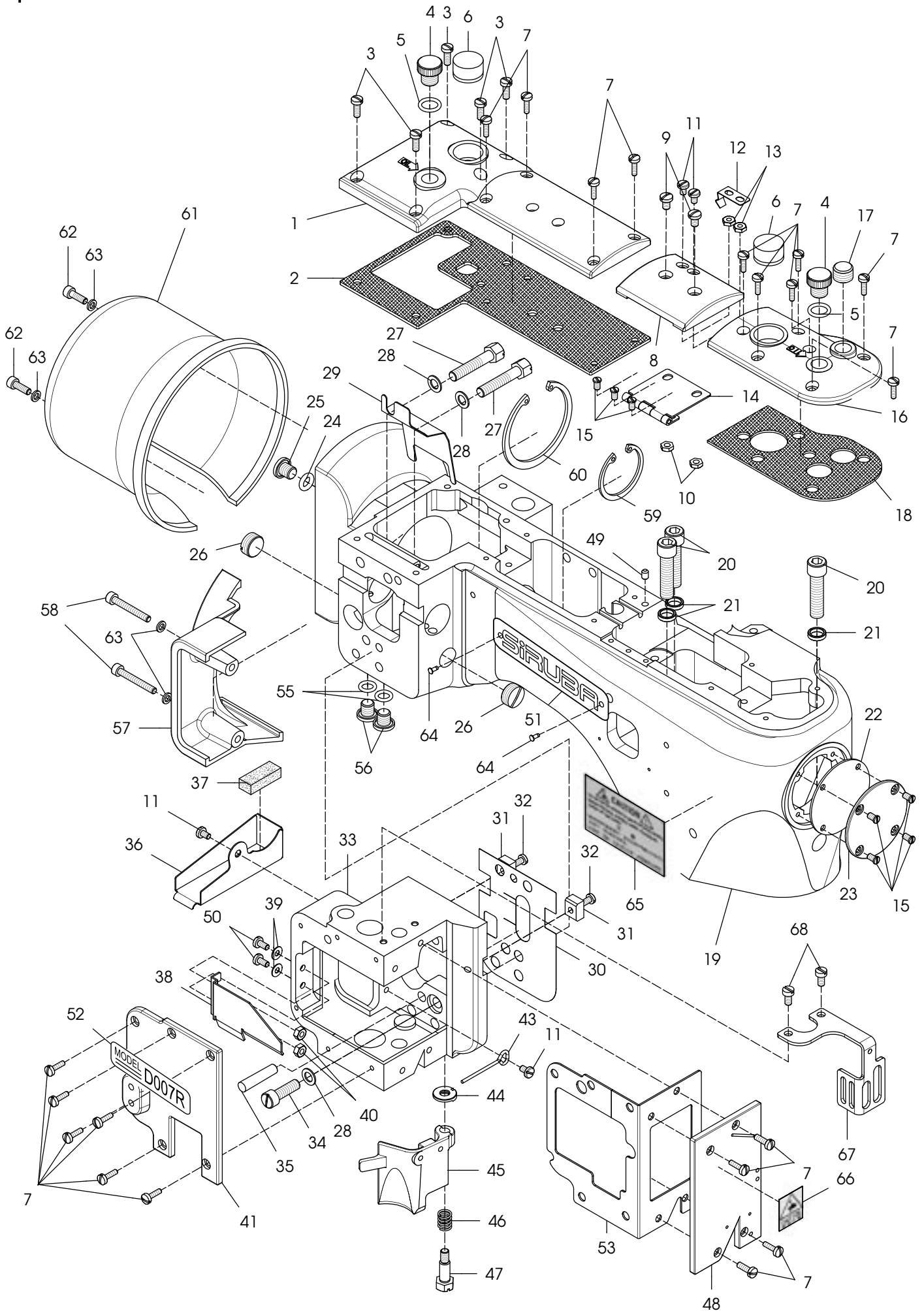
From the library of: Diamond Needle Corp

CONTENTS

目

次

MISCELLANEOUS COVERS(1).....	機殼機構(1).....	1
MISCELLANEOUS COVERS(2).....	機殼機構(2).....	2
MISCELLANEOUS THREAD EYELETS-4NEEDLE.....	過線機構-四針六線.....	3
MISCELLANEOUS BUSHINGS.....	套管機構.....	4
MAIN SHAFT DRIVING MECHANISM.....	上主軸與針棒機構.....	5
ONE SIDE CUT PRESSER FOOT MECHANISM.....	單切押腳與押腳驅動機構.....	6
UPPER KNIFE , CARRIER AND HOOK DRIVING MECHANISM...	上切刀及上勾針驅動機構.....	7
LOOPER DRIVING MECHANISM.....	下勾針驅動機構.....	8
FEED DRIVING MECHANISM.....	送料具驅動機構.....	9
FEED DRIVING CONTROL MECHANISM.....	送料具調節機構.....	10
LUBRICATING MECHANISM.....	給油機構.....	11
DEIRCTLY DRIVING TYPE MINI-SERVO MOTOR C.SET.....	伺服馬達機構.....	12
TABLE.....	桌板圖.....	13
SUPPORTING BLOCK MECHANISM.....	車台固定座機構.....	14
" AW1" DEVICE C.SET (SELECT DEVICE).....	外接式吸布屑組-AW1 (選擇配備).....	15
" AW2" DEVICE C.SET (SELECT DEVICE).....	密封式(箱型)吸布屑組-AW2 (選擇配備)...	16
THREAD STAND.....	線架組.....	17
DOBLE SIDE CUT PRESSER FOOT MECHANISM.....	雙切押腳機構.....	18
ATTACHMENT BOX.....	附件盒.....	19
ACCESSORIES.....	附件箱.....	20
SELECT DEVICE (02-T1)	選擇配備(02-T1)-織帶.....	21
SELECT DEVICE (01-T2)	選擇配備(01-T2)-貼條.....	22
SELECT DEVICE (S)	選擇配備(S)-襪子.....	23
SELECT DEVICE (01-DS)-452.460.....	選擇配備(01-DS)-452.460 潛水衣..	24
SELECT DEVICE(02R).....	選擇配備(02R)-弧狀車縫.....	25
SELECT DEVICE(02H)	選擇配備(02H)-包縫過骨/特厚刷毛... 26	
SELECT DEVICE(02RH)	選擇配備(02RH)-弧狀車縫包縫過骨... 27	
SELECT DEVICE (02-T2)	選擇配備(02-T2) -貼條.....	28
SELECT DEVICE (FEED DOG).....	特殊勾齒(膠齒)	29
SELECT DEVICE (AK).....	選擇配備(AK)-自動切線	30
SELECT DEVICE (AK PRESSER FOOT).....	選擇配備(AK)-押腳.....	31
AK DUST-COLLECTING EQUIPMENT (SELECT DEVICE).....	AK 集塵裝置(選擇配備).....	32
SELECT DEVICE (MISCELLANEOUS THREAD EYELETS-5NEEDLE)..	選擇配備(過線機構-五針七線).....	33
SELECT DEVICE (01-DS)-470.480.....	選擇配備(01-DS)-470.480 潛水衣..	34
SELECT DEVICE (02-4L20).....	選擇配備(02-4LXX)-段差厚料.....	35
STITCH LENGTH SPECIFICATION.....	針距規格表.....	附件 1

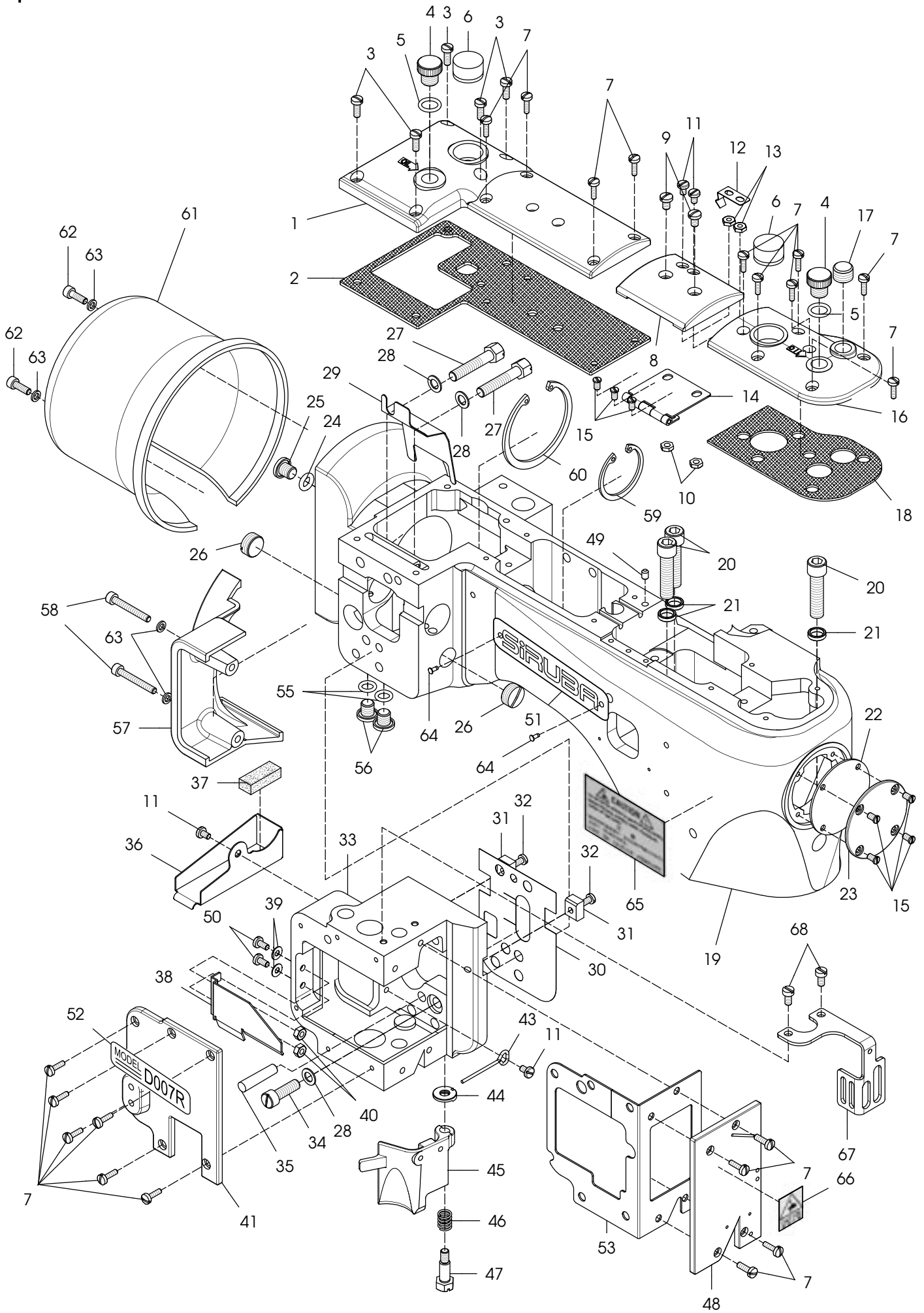


MISCELLANEOUS COVERS (1)

機殼機構(1)

1

Ref.	Parts			Amt.
<u>No.</u>	<u>No.</u>	<u>Description</u>	<u>品 名</u>	<u>Req.</u>
1	07400101	Crank Chamber Cover.....	曲軸室上蓋.....	1
2	07400102	Crank Chamber Cover Gasket.....	曲軸室墊片.....	1
3	07400103	Screw(11/64-40X10.5).....	螺絲.....	5
4	07400104	Screw(M12-1.75X9).....	螺絲.....	2
5	07400105	O-Ring.....	O 型橡膠環.....	2
6	07400106	Oil Sight Top Window.....	上油鏡.....	2
7	07400107	Screw (9/64-40X10.8).....	螺絲.....	20
8	07400108	Top Cover (Middle).....	上蓋(中).....	1
9	07400109	Screw (11/64-40X6.5).....	螺絲.....	2
10	07400110	Nut.....	螺帽.....	2
11	07400111	Screw (9/64-40X5.6).....	螺絲.....	4
12	07400112	Top Cover (Middle) Spring.....	上蓋(中)彈簧.....	1
13	07400113	Nut.....	螺帽.....	2
14	07400114	Top Cover (Middle) Hinge.....	上翻蓋.....	1
15	07400115	Screw (9/64-40X6).....	螺絲.....	7
16	07400116	Top Cover (Front).....	上蓋(前).....	1
17	07400117	Plug Screw (M12-1.75X7).....	止油螺絲.....	1
18	07400118	Top Cover (Front) Gasket.....	上蓋墊片(前).....	1
19	07400119	Machine Frame.....	機殼.....	1
20	07400120	Screw (5/16-24X32).....	螺絲.....	3
21	07400121	Washer.....	墊片.....	3
22	07400122	Machine Frame End Cover Gasket.....	防油墊片.....	1
23	07400123	Machine Frame End Cover.....	前方圓蓋.....	1
24	07400124	O-Ring.....	O 型橡膠環.....	1
25	07400125	Screw (3/8-24X8).....	螺絲.....	1
26	07400126	Plug Screw (M14-1X4).....	止油螺絲.....	2
27	07400127	Screw (1/4-28X32.5).....	螺絲.....	2
28	07400128	Washer.....	墊片.....	3
29	07400129	Crank Chamber Cover Oil Shield.....	上座防油擋板.....	1
30	07400130	Sewing Head Oil Defense.....	車台結合防油擋板.....	1
31	07400131	Sewing Head Key.....	車台四角固定銷.....	2
32	07400132	Screw (9/64-40X8).....	螺絲.....	2
33	07400133	Sewing Head.....	車頭.....	1
34	07400134	Screw (1/4-28X20).....	螺絲.....	1
35	07400135	Pin.....	插銷.....	1
36	07400136	Knife Driving Connection Oil Guard.....	油槽.....	1
37	07400137	Knife Driving Connection Felt.....	油棉.....	1
38	07400138	Thread Carrier and Hook Driving Rod Oil Guard.....	前座防油擋板.....	1

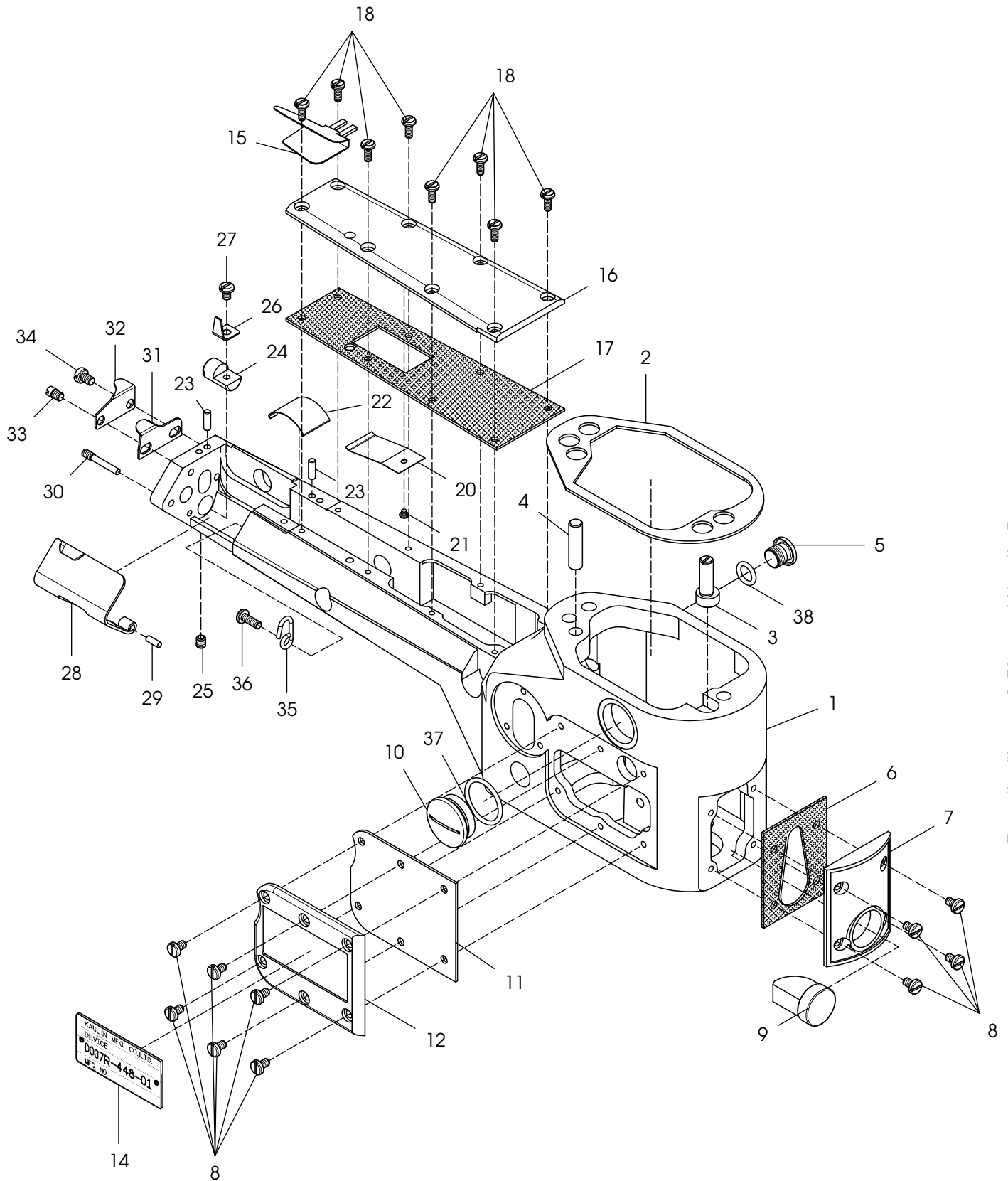


MISCELLANEOUS COVERS (1)

機殼機構(1)

1

Ref.	Parts			Amt.
<u>No.</u>	<u>No.</u>	<u>Description</u>	<u>品 名</u>	<u>Req.</u>
39	07400139	Seal.....	墊片.....	2
40	07400140	Nut.....	螺帽.....	2
41	07400141	Sewing Head Cover(Left).....	螺頭蓋(左).....	1
43	07400143	Oil Guide Wire.....	導油棉線固定架.....	1
44	07400144	Frame Chip Guard Washer.....	導布蓋固定墊片.....	1
45	07400145	Frame Chip Guard.....	導布蓋.....	1
46	07400146	Frame Chip Guard Spring.....	導布蓋彈簧.....	1
47	07400147	Screw (M5-0.8X8.5).....	螺絲.....	1
48	07400148	Sewing Head Cover (Front).....	車台前蓋.....	1
49	07400149	Oil Seal Plug.....	止油塞.....	1
50	07400150	Screw (9/64-40X7).....	螺絲.....	2
51	07400151	Emblem.....	銘牌.....	1
52	07400152	Emblem.....	銘牌.....	1
53	07400153	Seal Gasket.....	止油墊片.....	1
55	07400155	O-Ring.....	O 型橡膠環.....	2
56	07400156	Screw (M8-1.25X5.5).....	螺絲.....	2
57	07400157	Cover.....	馬達側蓋.....	1
58	07400158	Screw (M4-0.7X30).....	螺絲.....	2
59	07400159	Retaining Ring.....	扣環.....	1
60	07400160	Retaining Ring.....	扣環.....	1
61	07400161	Motor Cover.....	馬達護蓋.....	1
62	07400162	Screw (M4-0.7X12).....	螺絲.....	2
63	07400163	Washer.....	墊片.....	4
64	07400164	Rivet.....	鉚釘.....	2
65	07400165	Warning Sticker.....	警告貼紙.....	1
66	07400166	Warning Sticker.....	警告貼紙.....	1
67	07400167	Cover.....	打線器護蓋.....	1
68	07400168	Screw (M4-0.7X8).....	螺絲.....	2

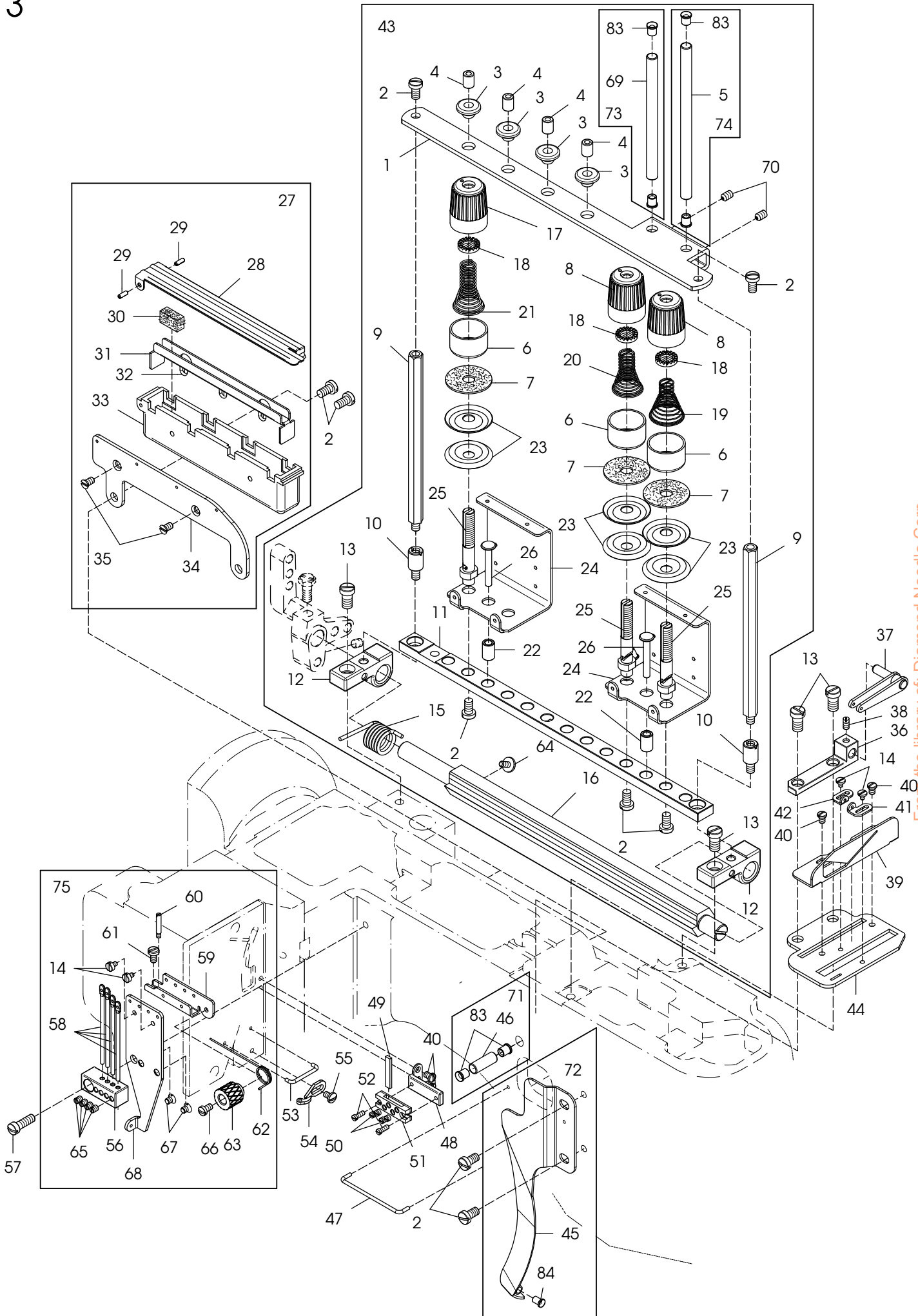


MISCELLANEOUS COVERS (2)

機殼機構(2)

2

Ref.	Parts			Amt.
No.	No.	Description	品 名	Req.
1	07400201	Cylinder Frame.....	圓筒部機殼.....	1
2	07400202	Sewing Head Oil Defense.....	防油擋板.....	1
3	07400203	Alignment Pin.....	調節插銷.....	1
4	07400204	Knock Pin.....	頂出銷.....	1
5	07400205	Screw(3/8-24X6).....	螺絲.....	1
6	07400206	Seal Gasket.....	止油墊片.....	1
7	07400207	Cylinder Frame Cover (Front).....	前蓋.....	1
8	07400208	Screw (9/64-40X8).....	螺絲.....	10
9	07400209	Oil Gauge.....	油錶.....	1
10	07400210	Screw (M22-1.5X4.5).....	螺絲.....	1
11	07400211	Seal Gasket.....	止油墊片.....	1
12	07400212	Cylinder Frame Cover (Left).....	左蓋.....	1
14	07400214	Model Plate.....	型號銘牌.....	1
15	07400215	Folder.....	導布器.....	1
16	07400216	Cylinder Frame Cover (Upper).....	上蓋.....	1
17	07400217	Seal Gasket.....	止油墊片.....	1
18	07400218	Screw (1/8-44X8).....	螺絲.....	8
20	07400220	Dust Defender (Upper).....	防塵蓋(上).....	1
21	07400221	Screw (3/32-56X1.8).....	螺絲.....	1
22	07400222	Dust Defender (Lower).....	防塵蓋(下).....	1
23	07400223	Pin.....	插銷.....	2
24	07400224	Looper Cover Spring Support.....	彈簧片座.....	1
25	07400225	Screw (11/64-40X4).....	螺絲.....	1
26	07400226	Looper Cover Spring.....	下勾針蓋彈簧片.....	1
27	07400227	Screw (9/64-40X5).....	螺絲.....	1
28	07400228	Lopper Cover.....	下勾針蓋.....	1
29	07400229	Pin.....	插銷.....	1
30	07400230	Screw (9/64-40X5.7).....	螺絲.....	1
31	07400231	Chain-off Cutting Knife.....	割線刀.....	1
32	07400232	Chain-off Cutting Knife Guard.....	割線刀擋.....	1
33	07400233	Screw (M4-0.7X4.5).....	螺絲.....	1
34	07400234	Screw (M4-0.7X5.7).....	螺絲.....	1
35	07400235	Looper Thread Guide Wire.....	過線圈.....	1
36	07400236	Screw (9/64-40X10).....	螺絲.....	1
37	07400237	O-Ring.....	O 型橡膠環.....	1
38	07400238	O-Ring.....	O 型橡膠環.....	1

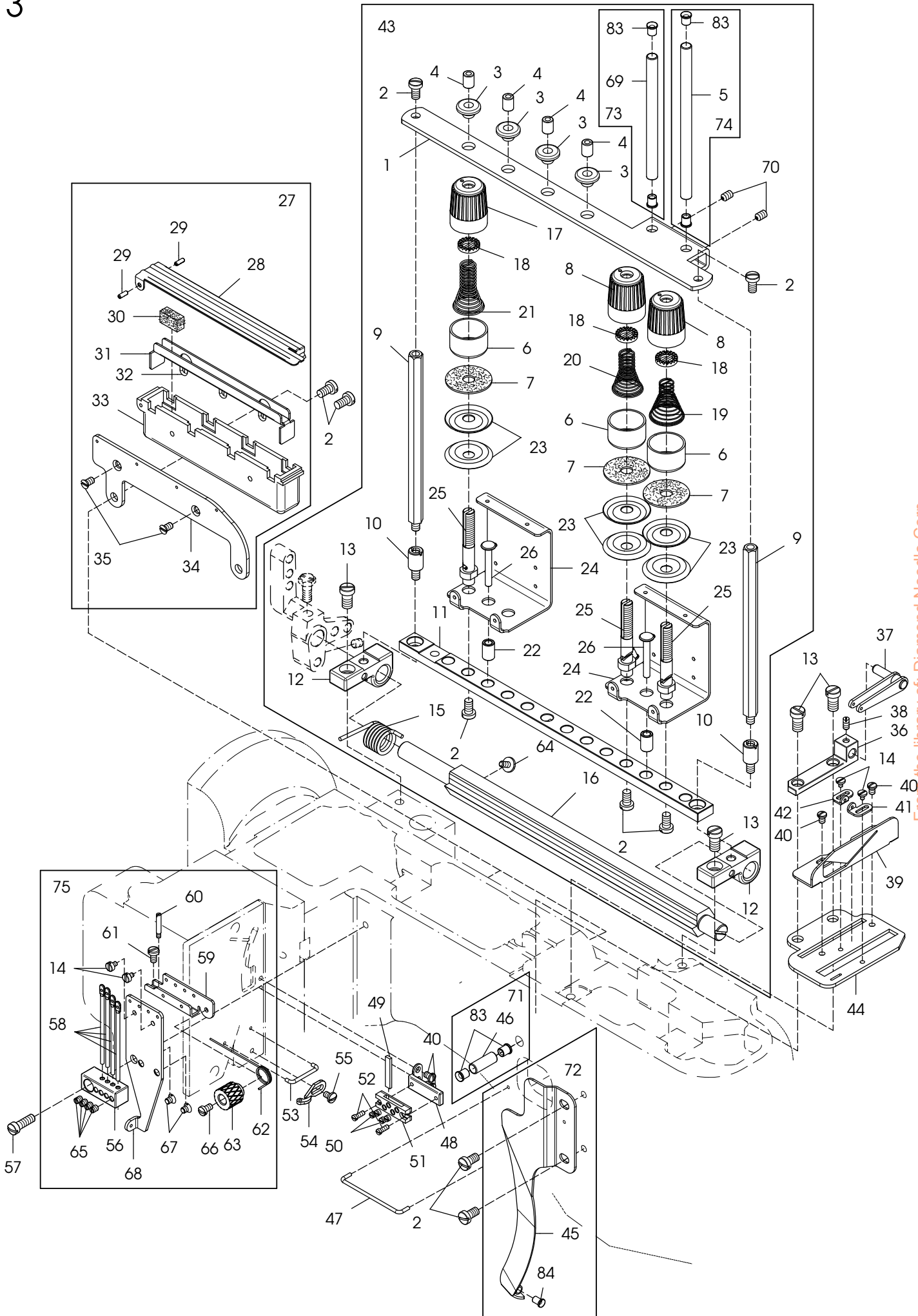


MISCELLANEOUS THREAD EYELETS-4NEEDLE

過線機構-四針六線

3

Ref.	Parts			Amt.
No.	No.	Description	品名	Req.
1	07400301	Thread Guide Plate.....	線架板.....	1
2	07400302	Screw (11/64-40X7.8).....	螺絲.....	12
3	07400303	Thread Eyelet Bushing.....	過線孔套圈.....	4
4	07400304	Thread Eyelet.....	過線孔.....	4
5	07400305	Thread Pipe (Long).....	過線管(長).....	1
6	07400306	Spring Retainer.....	彈簧固定座.....	6
7	07400307	Felt.....	氈墊.....	6
8	07400308	Spring Cap.....	彈簧調整鈕.....	2
9	07400309	Thread Guide Plate Support.....	線架板支撐棒.....	2
10	07400310	Screw (11/64-40X7).....	螺絲.....	2
11	07400311	Thread Tension Support.....	上線張力固定座.....	1
12	07400312	Thread Tension Support Bracket.....	上線張力固定座支架.....	2
13	07400313	Screw (7/32-32X9.5).....	螺絲.....	4
14	07400314	Screw (3/32-56X3.1).....	螺絲.....	4
15	07400315	Tension Release Shaft Spring.....	張力釋放軸彈簧.....	1
16	07400316	Tension Release Shaft.....	張力釋放軸.....	1
17	07400317	Spring Cap.....	彈簧調整鈕.....	4
18	07400318	Tension Spring Disc Support.....	張力彈簧調整圓盤.....	6
19	07400319	Looper Thread Tension Spring.....	下勾針張力彈簧.....	1
20	07400320	Top Cover Thread Tension Spring.....	上飾線張力彈簧.....	1
21	07400321	Needle Thread Tension Spring.....	針線張力彈簧.....	4
22	07400322	Tension Release Pin Bushing.....	張力釋放插銷套管.....	7
23	07400323	Thread Tension Disc.....	張力調整盤.....	12
24	07400324	Thread Tension Disc Eyelet.....	張力調整過線架.....	3
25	07400325	Tension Post.....	張力彈簧支柱.....	6
26	07400326	Tension Release Pin.....	張力釋放插銷.....	7
27	07400327	SP Device , Complete C. Set.....	針線矽油組.....	1
28	07400328	Oil Cup Lip.....	矽油儲存槽蓋.....	1
29	07400329	Hinge Pin.....	鉸鏈插銷.....	2
30	07400330	SP Felt.....	SP 吸油氈.....	4
31	07400331	SP Felt Stay.....	SP 吸油氈支柱.....	1
32	07400332	Oil Wick.....	油芯.....	1
33	07400333	SP Container.....	矽油儲存槽.....	1
34	07400334	SP Container Support.....	矽油儲存槽固定座.....	1
35	07400335	Screw (9/64-40X4.6).....	螺絲.....	2
36	07400336	Thread Take-up Eyelet Holder.....	提線桿托架.....	1
37	07400337	Thread Take-up Eyelet.....	提線桿.....	1
38	07400338	Screw (1/8-44X5).....	螺絲.....	1
39	07400339	Looper Thread Take-up Guide.....	下勾針提線桿護架.....	1
40	07400340	Screw (1/8-44X4.3).....	螺絲.....	4

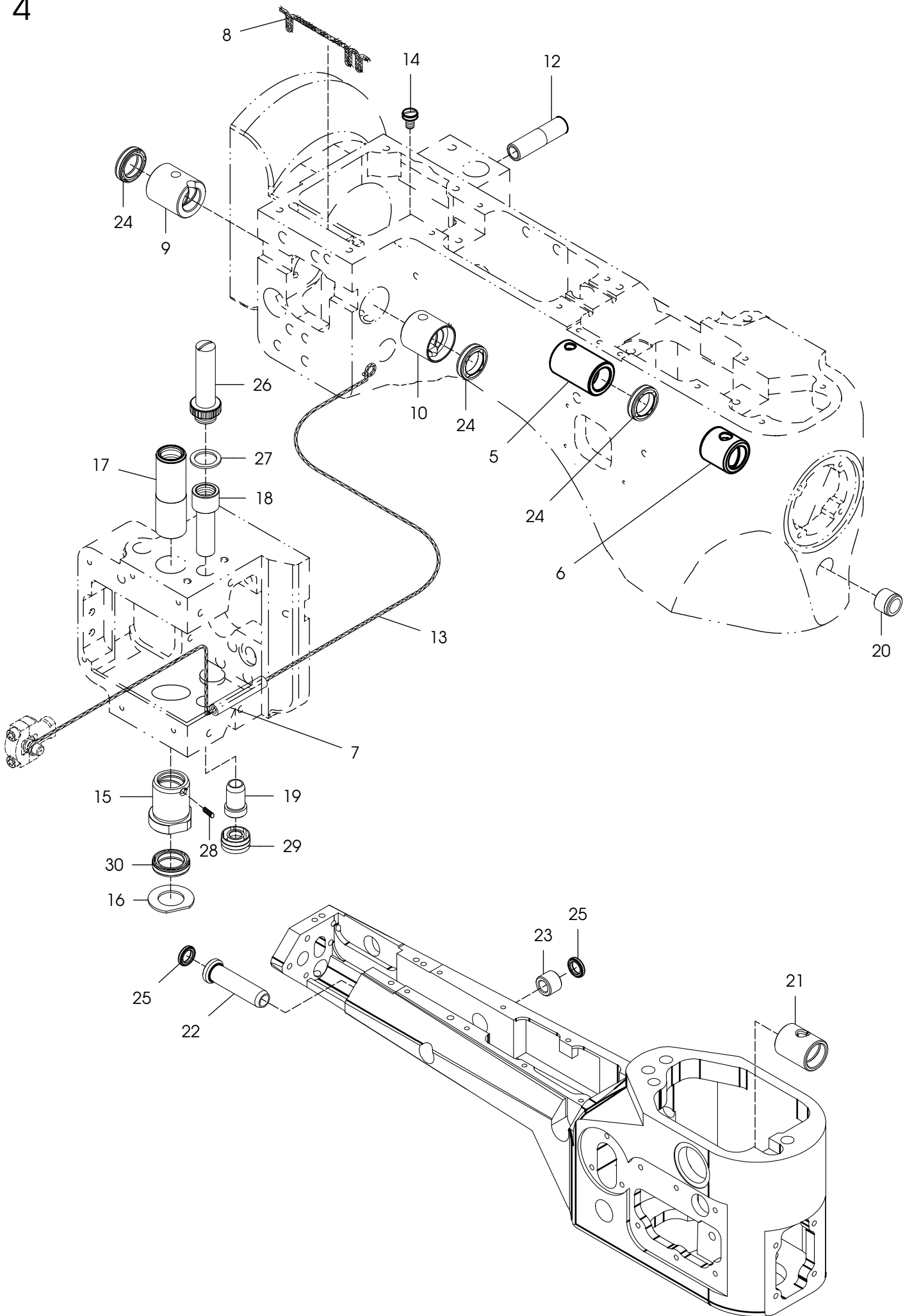


MISCELLANEOUS THREAD EYELETS-4NEEDLE

過線機構-四針六線

3

Ref.	Parts			Amt.
No.	No.	Description	品名	Req.
41	07400341	Looper Thread Take-up Eyelet(Front).....	下勾針提線桿.....	1
42	07400342	Looper Thread Take-up Eyelet(Rear).....	下勾針提線桿.....	1
43	07400343	Thread Guide C.Set (4 Needle).....	線架組(四針六線).....	1
44	07400344	Eyelet Supporting Plate.....	提線桿固定板.....	1
45	07400345	Looper Thread Guard.....	下勾針線導架.....	1
46	07400346	Top Cover Thread Pipe.....	上飾線過線導管.....	1
47	07400347	Looper Thread Guide Wire (Upper).....	下勾針線導架金屬線.....	1
48	07400348	Needle Thread Strike-off Pin Holder Bracket....	打線片固定架.....	1
49	07400349	Needle Thread Strike-off Pin.....	打線片.....	4
50	07400350	Screw (1/8-44X2).....	螺絲.....	4
51	07400351	Needle Thread Strike-off Pin Holder.....	打線片固定座.....	1
52	07400352	Screw (3/32-56X6.2).....	螺絲.....	2
53	07400353	Needle Thread Guide Wire.....	針線導架金屬線.....	1
54	07400354	Head Cover Thread Eyelet.....	車台前蓋過線孔.....	1
55	07400355	Screw (1/8-44X4.4).....	螺絲.....	1
56	07400356	Needle Thread Eyelet Holder.....	針線過線棒座.....	1
57	07400357	Screw (11/64-40X13).....	螺絲.....	1
58	07400358	Needle Thread Eyelet.....	針線過線棒.....	4
59	07400359	Stitch Unlocker Mounting Bracket.....	過線架.....	1
60	07400360	Screw (M2.3-0.4X3).....	螺絲.....	1
61	07400361	Screw (1/8-44X5.9).....	螺絲.....	1
62	07400362	Stitch Unlocking Spring.....	過線彈簧.....	1
63	07400363	Stitch Unlocking Spring Holder.....	過線彈簧調節鈕.....	1
64	07400364	Screw (1/8-44X6.4).....	螺絲.....	1
65	07400365	Screw (1/8-44X3.4).....	螺絲.....	4
66	07400366	Screw (1/8-44X5.7).....	螺絲.....	1
67	07400367	Screw (1/8-44X2.7).....	螺絲.....	2
68	07400368	Stitch Unlocking Holder.....	過線座.....	1
69	07400369	Thread Pipe (Short).....	過線管(短).....	1
70	07400370	Screw (M4-0.7X6).....	螺絲.....	2
71	07400371	Top Cover Thread Pipe C.Set.....	上飾線過線導管組.....	1
72	07400372	Looper Thread Guard C.Set.....	下勾針線導架組.....	1
73	07400373	Thread Pipe C.Set (Short).....	過線管組(短).....	1
74	07400374	Thread Pipe C.Set (Long).....	過線管組(長).....	1
75	07400375	Needle Thread Eyelet C.Set.....	針線過線棒組.....	1
83	07400383	Thread Eyelet.....	過線陶瓷(深灰).....	6
84	07400384	Thread Eyelet.....	過線陶瓷(深灰).....	1



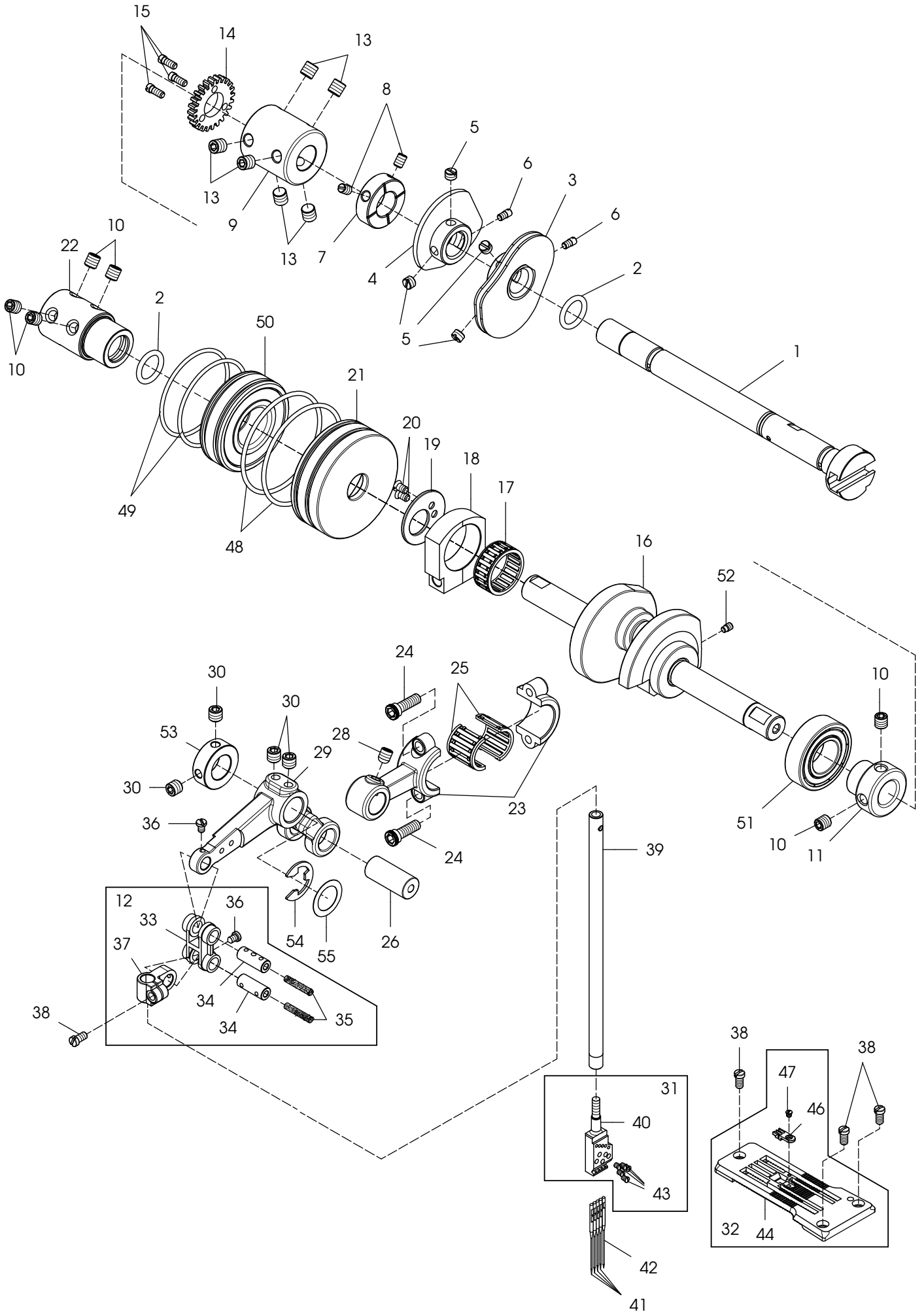
MISCELLANEOUS BUSHINGS

套管機構

4

Ref.	Parts			Amt.
<u>No.</u>	<u>No.</u>	<u>Description</u>	<u>品 名</u>	<u>Req.</u>
5	07400405	Main Shaft Bushing (Rear).....	主軸套管(後).....	1
6	07400406	Main Shaft Bushing (Front).....	主軸套管(前).....	1
7	07400407	Plastic Pipe.....	塑膠管.....	1
8	07400408	Oil Wick (Laced Wire).....	油芯.....	1
9	07400409	Knife Driving Lever Bushing (Rear).....	傳動刀軸銅套(後).....	1
10	07400410	Knife Driving Lever Bushing (Front).....	傳動刀軸銅套(前).....	1
12	07400412	Presser Foot Lifter Stop Plunger Bushing...	抬押腳軸套管.....	1
13	07400413	Oil Wick.....	油芯.....	1
14	07400414	Screw (11/64-40X6.4).....	螺絲.....	1
15	07400415	Thread Carrier and Hook Sleeve Bushing.....	上飾線銅套.....	1
16	07400416	Bushing Ring.....	墊片.....	1
17	07400417	Presser Bar Bushing.....	押腳套管.....	1
18	07400418	Needle Bar Bushing(Upper).....	針柱套管(上).....	1
19	07400419	Needle Bar Bushing(Lower).....	針柱套管(下).....	1
20	07400420	Looper Driving Lever Shaft Bushing.....	下勾針驅動軸套管.....	1
21	07400421	Looper Rocker Shaft Bushing (Front).....	下勾針搖桿軸套管(前)....	1
22	07400422	Looper Rocker Shaft Bushing (Rear).....	下勾針搖桿軸套管(後)....	1
23	07400423	Feed Bar Eccentric Pin Bushing.....	送料具偏心銷套管.....	1
24	07400424	Oil Seal.....	油封.....	3
25	07400425	Oil Seal.....	油封.....	2
26	07400426	Needle Bar Bushing(Upper)Lid.....	針柱套管(上)蓋.....	1
27	07400427	Gasket.....	墊片.....	1
28	07400428	SP Felt.....	SP 吸油氈.....	1
29	07400429	Oil Seal.....	油封.....	1
30	07400430	Oil Seal.....	油封.....	1

5



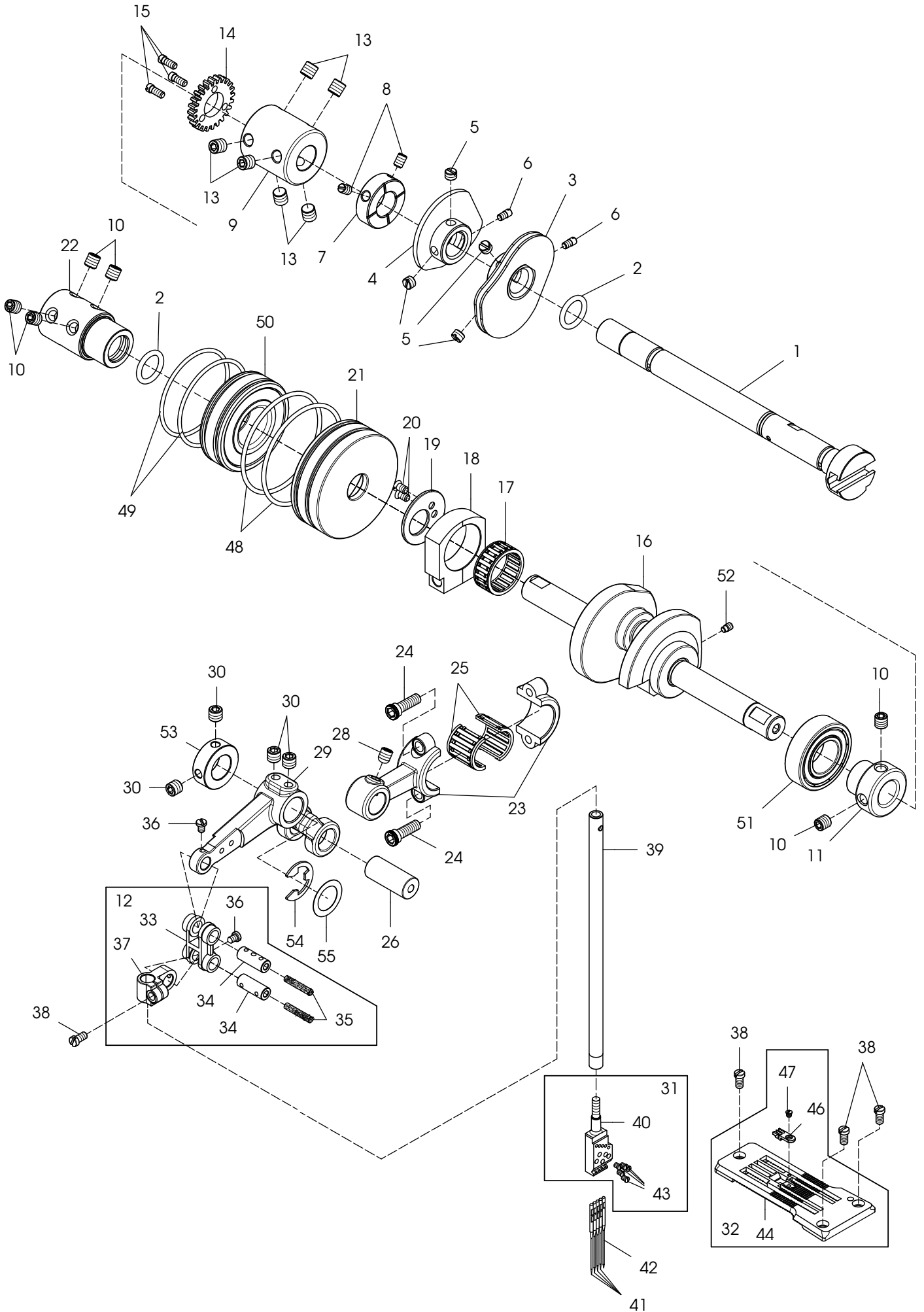
MAIN SHAFT DRIVING MECHANISM

上主軸與針棒機構

5

Ref.	Parts			Amt.
<u>No.</u>	<u>No.</u>	<u>Description</u>	<u>品 名</u>	<u>Req.</u>
1	07400501	Main Shaft.....	主軸.....	1
2	07400502	O-ring.....	O 型橡膠環.....	2
3	07400503	Looper Thread Take-Up.....	底線提線凸輪.....	1
4	07400504	Top Cover Thread Take-Up.....	上飾線提線凸輪.....	1
5	07400505	Screw (7/32-32X3.6).....	螺絲.....	4
6	07400506	Positioning Screw (1/8-44X4).....	螺絲.....	2
7	07400507	Collar.....	軸環.....	1
8	07400508	Screw (11/64-40X6).....	螺絲.....	2
9	07400509	Front and Rear Connecting Sleeve.....	前後軸連接襯套.....	1
10	07400510	Screw (M6-1X6).....	螺絲.....	6
11	07400511	Collar.....	固定軸環.....	1
12	07400512	Needle Bar Connecting Link C.Set.....	針柱連桿組.....	1
13	07400513	Screw (1/4-28X6.3).....	螺絲.....	6
14	07400514	Pump Driving Gear.....	油泵驅動齒輪.....	1
15	07400515	Screw (1/8-44X6).....	螺絲.....	3
16	07400516	Crankshaft.....	曲軸.....	1
17	07400517	Needle Bearing.....	滾針軸承.....	1
18	07400518	Thread Carrier and Hook Driving Rod (Right)...	上飾線驅動培林外殼.....	1
19	07400519	Needle Bearing Retaining Plate.....	滾針軸承扣板.....	1
20	07400520	Screw (9/64-40X4.8).....	螺絲.....	2
21	07400521	Bearing Sleeve.....	培林襯套.....	1
22	07400522	Motor Connecting Rod Sleeve.....	馬達連接襯套.....	1
23	07400523	Needle Bar Lever Connecting Rod.....	針柱槓桿連桿.....	1
24	07400524	Screw (3/16-32X14).....	螺絲.....	2
25	07400525	Needle Bearing.....	滾針軸承.....	1
26	07400526	Needle Bar Lever Connecting Rod Pin.....	針柱槓桿連桿插銷.....	1
28	07400528	Screw (7/32-32X4.5).....	螺絲.....	1
29	07400529	Needle Bar Lever.....	針柱槓桿.....	1
30	07400530	Screw (M5-0.8X5).....	螺絲.....	4
31	07400531	Needle Clamp C.Set.....	針鉗組.....	1
32	07400532	Stitch Plate C.Set.....	針板組.....	1
33	07400533	Needle Bar Connecting Link.....	針柱連桿.....	1
34	07400534	Needle Bar Connecting Link Pin.....	針柱連桿插銷.....	2
35	07400535	Oil Wick.....	吸油繩.....	2
36	07400536	Screw (1/8-44X5).....	螺絲.....	2
37	07400537	Needle Bar Connecting Bracket.....	針柱連結架.....	1
38	07400538	Screw (9/64-40X7.4).....	螺絲.....	4
39	07400539	Needle Bar.....	針柱.....	1

5



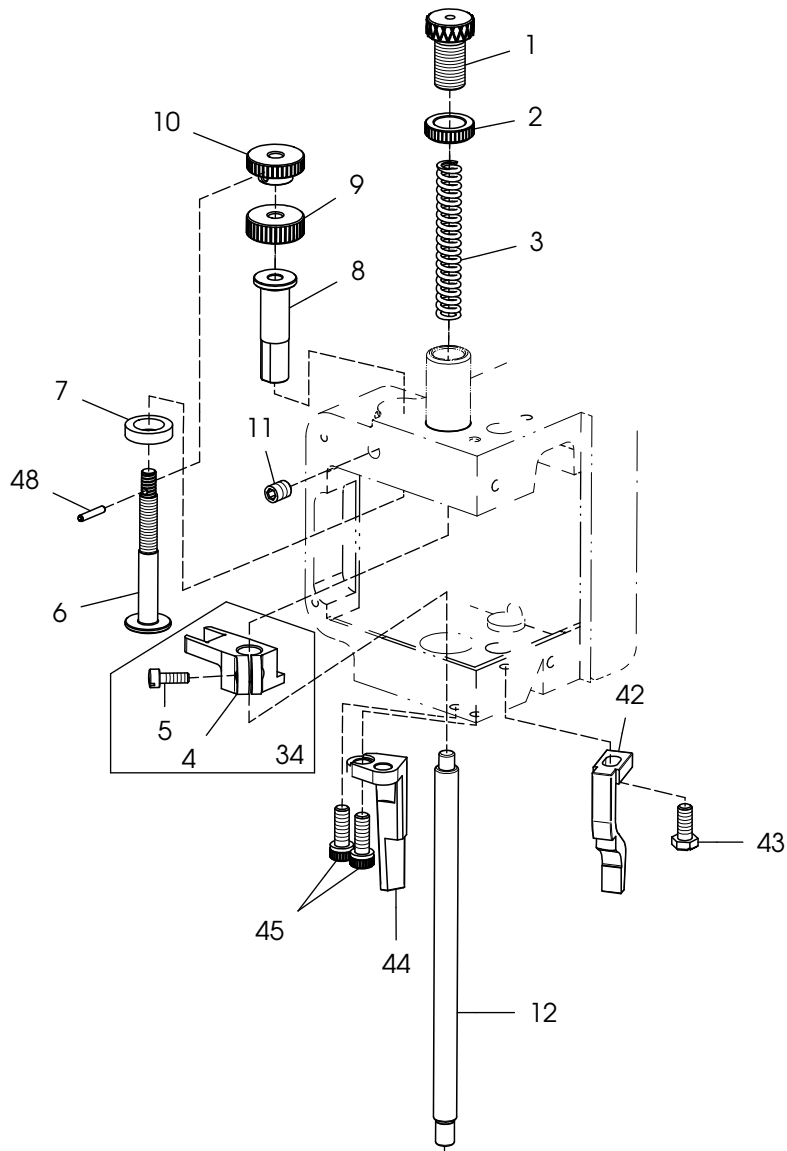
MAIN SHAFT DRIVING MECHANISM

上主軸與針棒機構

5

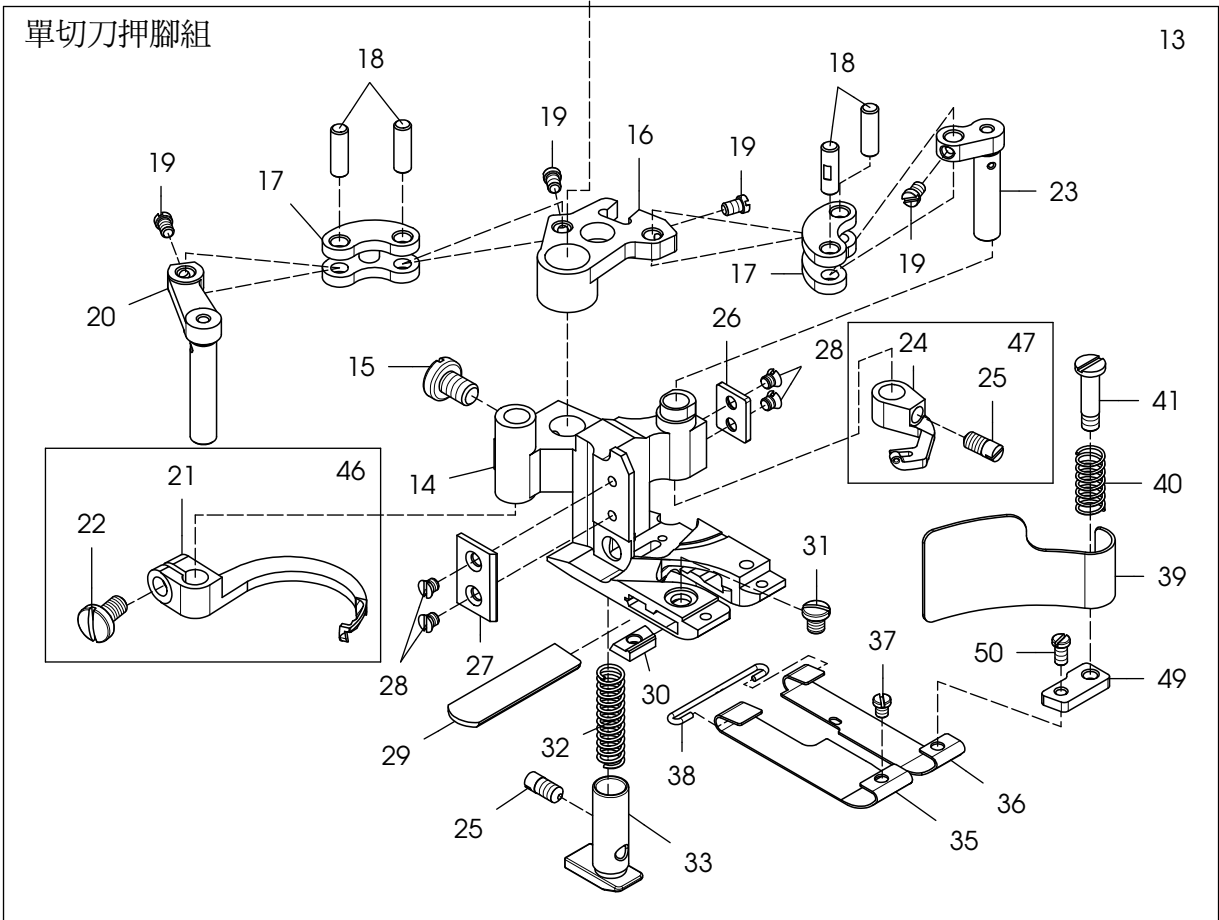
Ref.	Parts			Amt.
<u>No.</u>	<u>No.</u>	<u>Description</u>	<u>品 名</u>	<u>Req.</u>
40	★	Needle Clamp.....	針錙.....	1
41	★ 07400541	Needle.....	擊針.....	4
42	★ 07400542	Retainer.....	假針.....	1
43	07400543	Screw (3/32-56X2.5).....	螺絲.....	5
44	★	Stitch Plate.....	單切針板.....	1
46	★	Stitch Plate Tongue.....	針板舌.....	1
47	07400547	Screw (3/32-56X2).....	螺絲.....	1
48	07400548	O-ring.....	O 型橡膠環.....	2
49	07400549	O-ring.....	O 型橡膠環.....	2
50	07400550	Ball Bearing.....	滾珠軸承.....	1
51	07400551	Ball Bearing.....	滾珠軸承.....	1
52	07400552	Seal Plug.....	止油塞.....	1
53	07400553	Collar.....	軸環.....	1
54	07400554	Retaining Ring.....	E 型扣環.....	1
55	07400555	Thrust Ring.....	墊片.....	1

★ 請參照附件 1【針距規格表】



單切刀押腳組

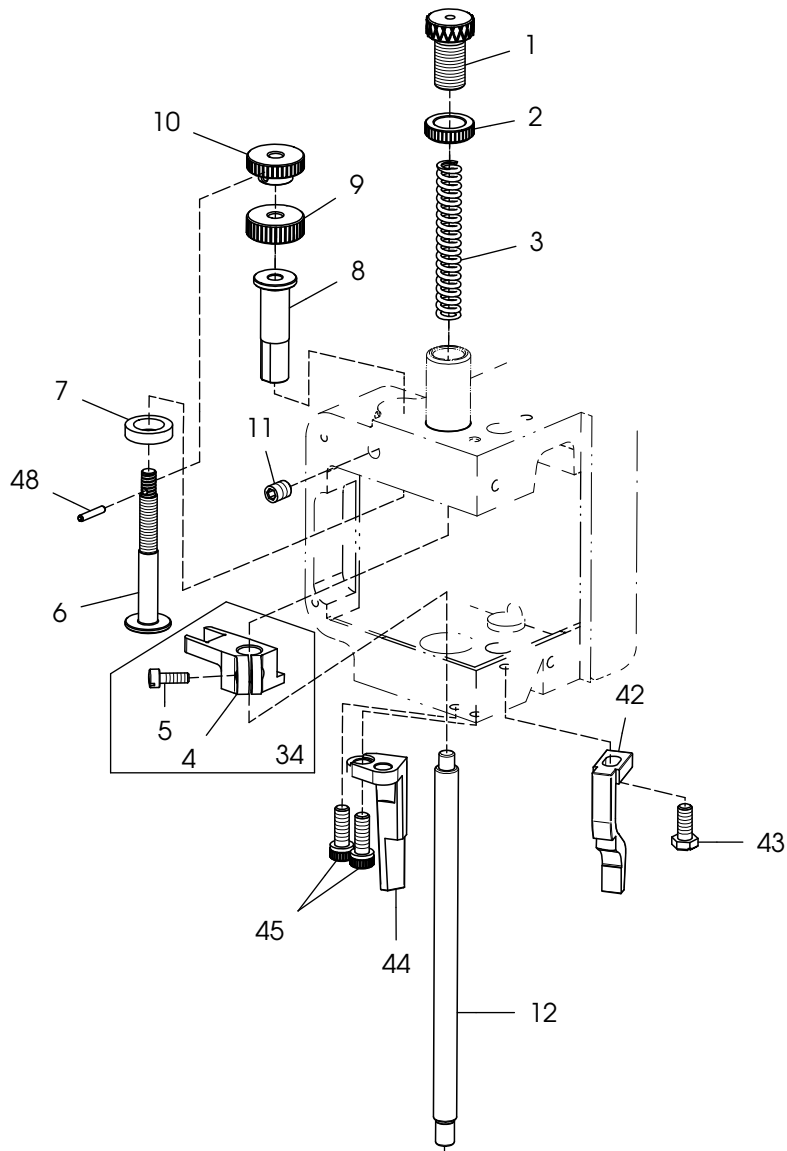
13



ONE SIDE CUT PRESSER FOOT MECHANISM

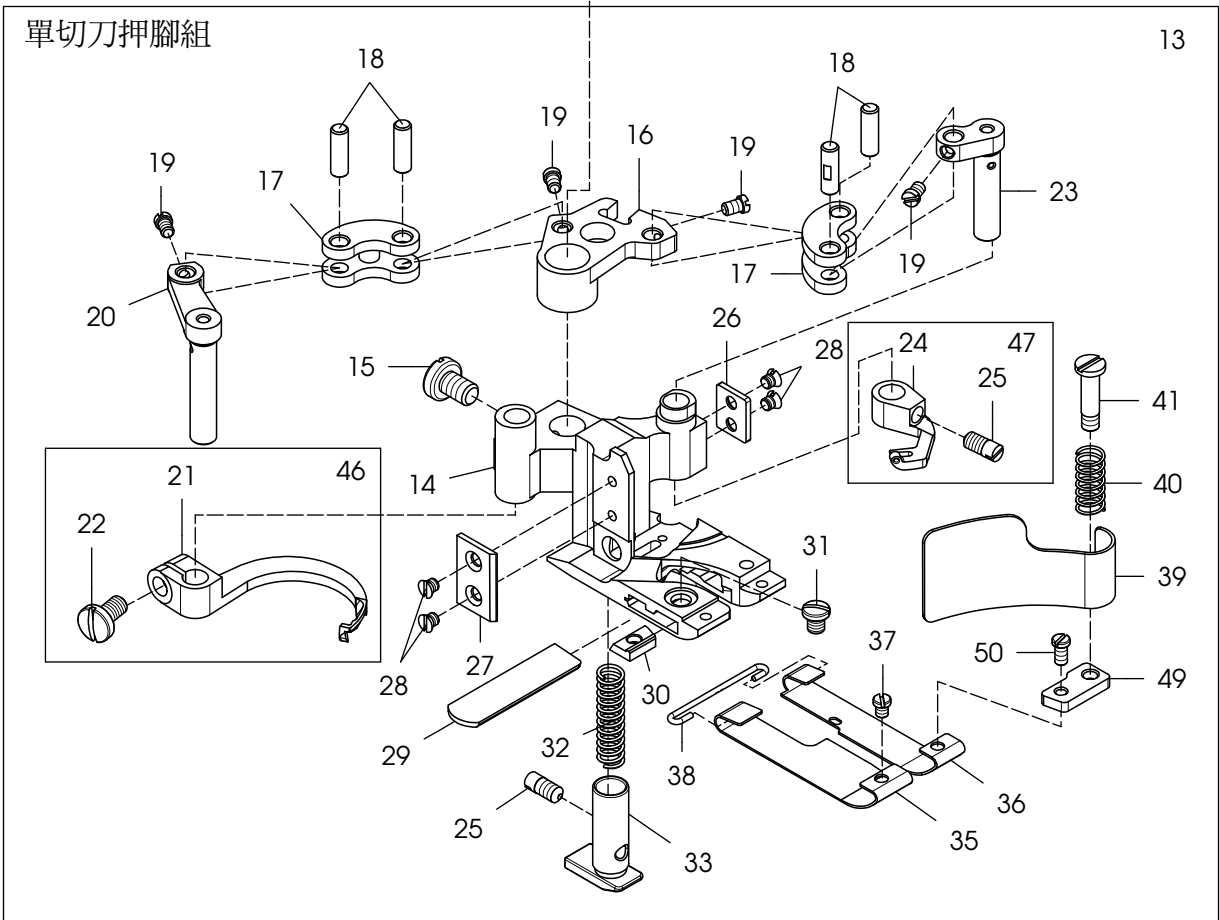
Ref. No.	Parts No.	Description	品名	Amt. Req.
1	07400601	Adjusting Screw (M12-1X17).....	調節螺絲.....	1
2	07400602	Lock Nut.....	保險螺帽.....	1
3	07400603	Presser Spring.....	押腳彈簧.....	1
4	07400604	Presser Bar Connecting Bracket.....	押腳推桿連結架.....	1
5	07400605	Screw (11/64-40X10.3).....	螺絲.....	1
6	07400606	Presser Foot Adjusting Screw.....	押腳調節彈簧.....	1
7	07400607	Connecting Bracket Cushion.....	連結架襯墊.....	1
8	07400608	Presser Bar Guide.....	押腳導件.....	1
9	07400609	Lock Nut.....	保險螺帽.....	1
10	07400610	Adjusting Nut.....	調節螺帽.....	1
11	07400611	Screw (M6-1X8).....	螺絲.....	1
12	07400612	Presser Bar.....	押腳推桿.....	1
13	★ 07400613	One Side Cut Presser Foot C. Set.....	單切押具組.....	1
14	★ 07400614	One Side Cut Presser Foot.....	單切押腳.....	1
15	07400615	Screw (11/64-40X6.3).....	螺絲.....	1
16	07400616	Carrier/Hook Driving Segment.....	上勾針驅動扇形片.....	1
17	07400617	Carrier/Hook Driving Lever Link.....	上勾針驅動連桿.....	2
18	07400618	Link Pin.....	連桿插銷.....	4
19	07400619	Screw (3/32-56X3.3).....	螺絲.....	4
20	07400620	Thread Hook Driving Lever.....	勾針驅動槓桿.....	1
21	★ 07400621	Top Cover Thread Hook.....	上飾線勾針(長).....	1
22	07400622	Screw (9/64-40X6.8).....	螺絲.....	1
23	07400623	Top Cover Thread Carrier Driving Lever... ..	上飾線托架驅動槓桿.....	1
24	★ 07400624	Top Cover Thread Carrier.....	上飾線勾針(短).....	1
25	07400338	Screw (1/8-44X5).....	螺絲.....	2
26	07400626	Presser Foot Attach Piece (Right).....	押腳連接片(右).....	1
27	07400627	Presser Foot Attach Piece (Left).....	押腳連接片(左).....	1
28	07400628	Screw(3/32-56X1.5).....	螺絲.....	4
29	★ 07400629	Lower Knife.....	下切刀片.....	1
30	★ 07400630	Lower Knife Clamp.....	下刀片夾板.....	1
31	07400631	Screw (1/8-44X3.5).....	螺絲.....	1
32	07400632	Yielding Section Spring.....	押腳輔助座彈簧.....	1
33	★ 07400633	Yielding Section.....	押具輔助座.....	1
34	07400634	Presser Bar Connecting Bracket C.Set.....	押腳推桿連結架組.....	1
35	★ 07400635	Presser Foot Spring Plate (Left).....	押具押板(左).....	1
36	★ 07400636	Presser Foot Spring Plate (Right).....	押具押板(右).....	1
37	07400637	Screw (3/32-56X2.6).....	螺絲.....	1
38	07400638	Spring Plate Holder.....	彈簧片固定座.....	1
39	07400639	Chip Guard.....	切角防護片.....	1

★ 請參照附件 1【針距規格表】



單切刀押腳組

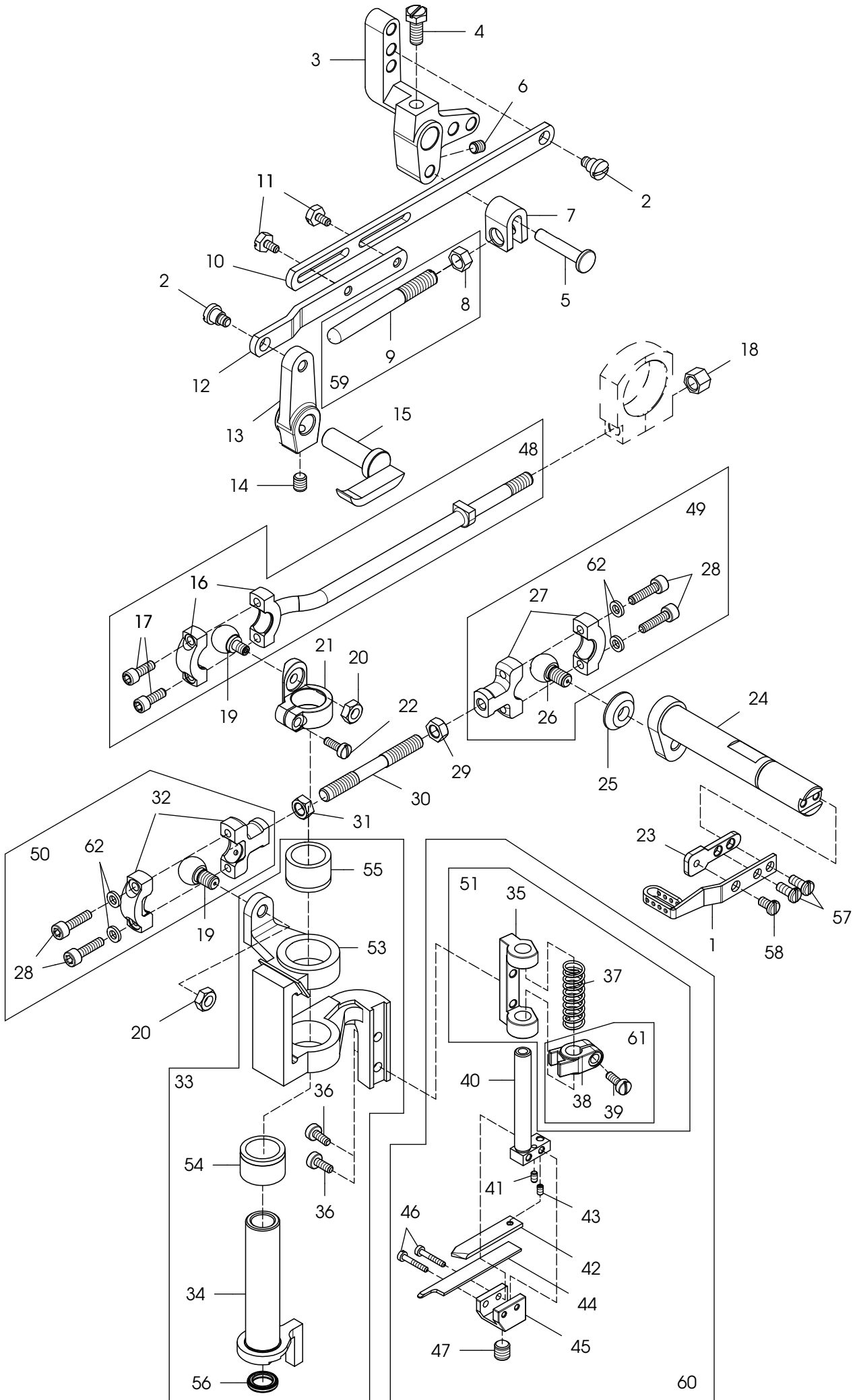
13



ONE SIDE CUT PRESSER FOOT MECHANISM

單切押腳與押腳驅動機構 6

Ref.	Parts		Amt.
<u>No.</u>	<u>No.</u>	<u>Description</u>	<u>品 名</u>
			<u>Req.</u>
40	07400640	Chip Guard Spring.....	切角防護片彈簧..... 1
41	07400641	Screw (1/8-44X3.4).....	螺絲..... 1
42	07400642	Presser Foot Guide (Right).....	押腳導件(右)..... 1
43	07400643	Screw (M5-0.8X12).....	螺絲..... 1
44	07400644	Presser Foot Guide (Left).....	押腳導件(左)..... 1
45	07400645	Screw (M5-0.8X14).....	螺絲..... 2
46	07400646	Top Cover Thread Hook C.Set.....	上飾線勾針組(長)..... 1
47	07400647	Top Cover Thread Carrier C.Set.....	上飾線勾針組(短)..... 1
48	07400648	Pin.....	插銷..... 1
49	07400649	Spacer.....	墊塊..... 1
50	07400650	Screw (3/32-56X4.3).....	螺絲..... 1

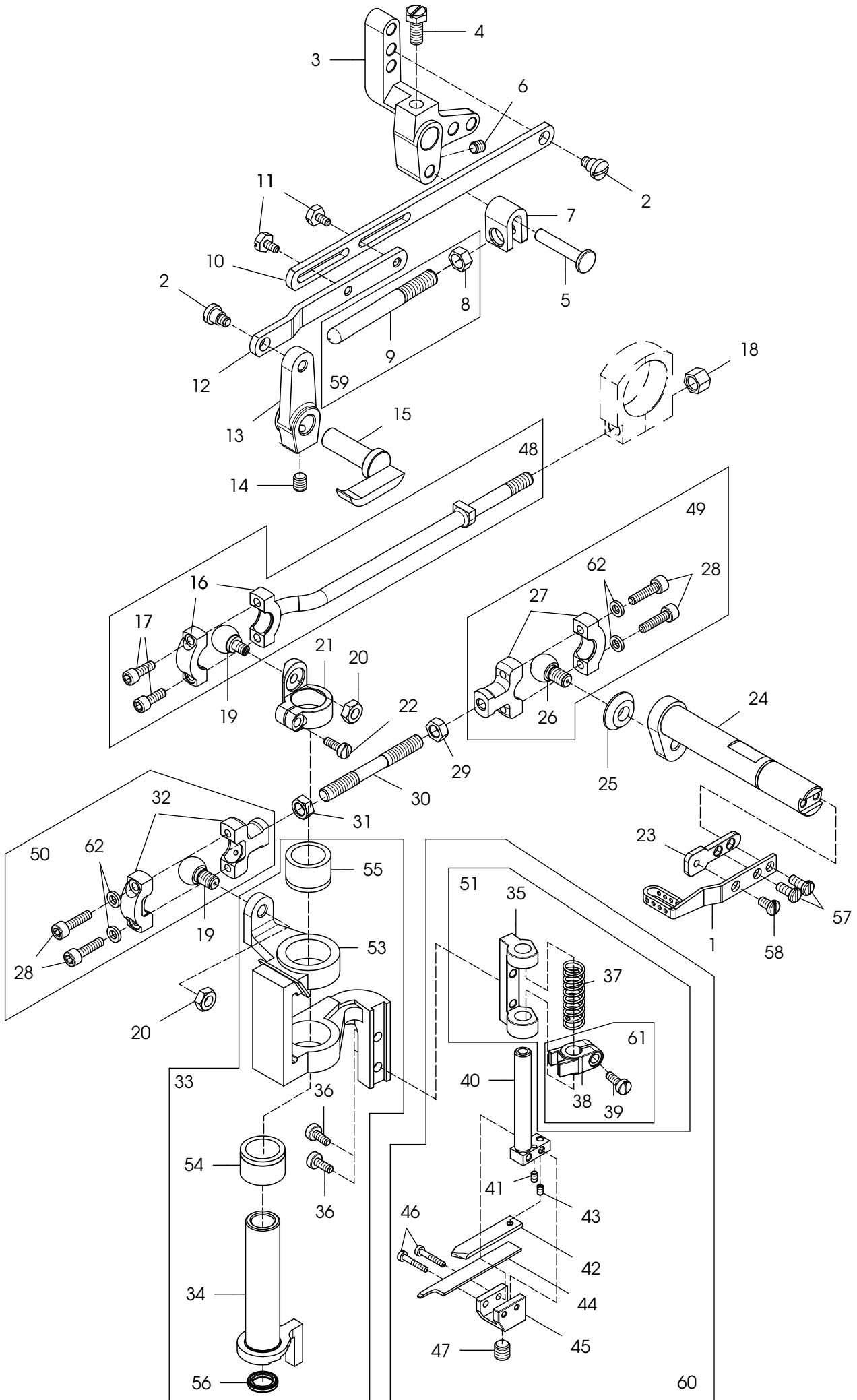


UPPER KNIFE, CARRIER AND HOOK DRIVING MECHANISM

上切刀及上勾針驅動機構 7

Ref.	Parts			Amt.
No.	No.	Description	品名	Req.
1	07400701	Needle Thread Take-up.....	導線架.....	1
2	07400702	Screw (3/16-32X4).....	螺絲.....	2
3	07400703	Presser Bar Lifter Lever (Large).....	押腳升降槓桿(大).....	1
4	07400704	Screw (7/32-32X12).....	螺絲.....	1
5	07400705	Stop Plunger Segment pin.....	抬押腳插銷.....	1
6	07400530	Screw (M5-0.8X5).....	螺絲.....	1
7	07400707	Stop Plunger Segment.....	抬押腳扣.....	1
8	07400708	Nut.....	螺帽.....	1
9	07400709	Presser Foot Lifter Stop Plunger.....	抬押腳軸.....	1
10	07400710	Presser Foot Lifter Lever Link (Long).....	押腳升降槓桿連桿(長)....	1
11	07400711	Screw (9/64-40X6.1).....	螺絲.....	2
12	07400712	Presser Foot Lifter Lever Link (Short).....	押腳升降槓桿連桿(短)....	1
13	07400713	Presser Bar Lifter Lever (Small).....	押腳升降槓桿(小).....	1
14	07400714	Screw (7/32-32X6).....	螺絲.....	1
15	07400715	Presser Bar Lifter Lever.....	押腳拉桿.....	1
16	07400716	Carrier Hook Driving Rod (Left).....	上飾線驅動珠殼.....	1
17	07400717	Screw (9/64-40X10).....	螺絲.....	2
18	07400718	Nut.....	螺帽.....	1
19	07400719	Rod Ball (Left).....	傳動連結球(左).....	2
20	07400720	Nut.....	螺帽.....	2
21	★ 07400721	Carrier Hook Sleeve Lever.....	勾夾襯套.....	1
22	07400722	Screw(9/64-40X9).....	螺絲.....	1
23	07400723	Bracket.....	托架固定座.....	1
24	07400724	Knife Driving Lever.....	上切刀傳動槓桿.....	1
25	07400725	Steady Washer.....	穩定墊圈.....	1
26	07400726	Knife Driving Connection Ball(Right).....	上切刀驅動連結球(右)....	1
27	07400727	Knife Driving Connection(Right).....	上切刀驅動連結桿(右)....	1
28	07400728	Screw (M3.5-0.6X14).....	螺絲.....	4
29	07400729	Nut (Left-handed Screw).....	螺帽.....	1
30	07400730	Knife Driving Connecting Rod.....	上切刀驅動連結桿.....	1
31	07400731	Nut.....	螺帽.....	1
32	07400732	Knife Driving Connection (Left).....	上切刀驅動連結桿(左)....	1
33	07400733	Knife Holder Bracket C. Set.....	上切刀固定座托架組.....	1
34	07400734	Carrier/Hook Driving Sleeve.....	上飾線驅動襯套.....	1
35	07400735	Knife Holder Shank Support.....	上切刀固定座支架.....	1
36	07400736	Screw (9/64-40X8).....	螺絲.....	2
37	07400737	Knife Holder Spring.....	上切刀固定座彈簧.....	1
38	07400738	Knife Holder Guide Collar.....	刀台襯套.....	1
39	07400739	Screw (9/64-40X9).....	螺絲.....	1

★ 請參照附件 1【針距規格表】

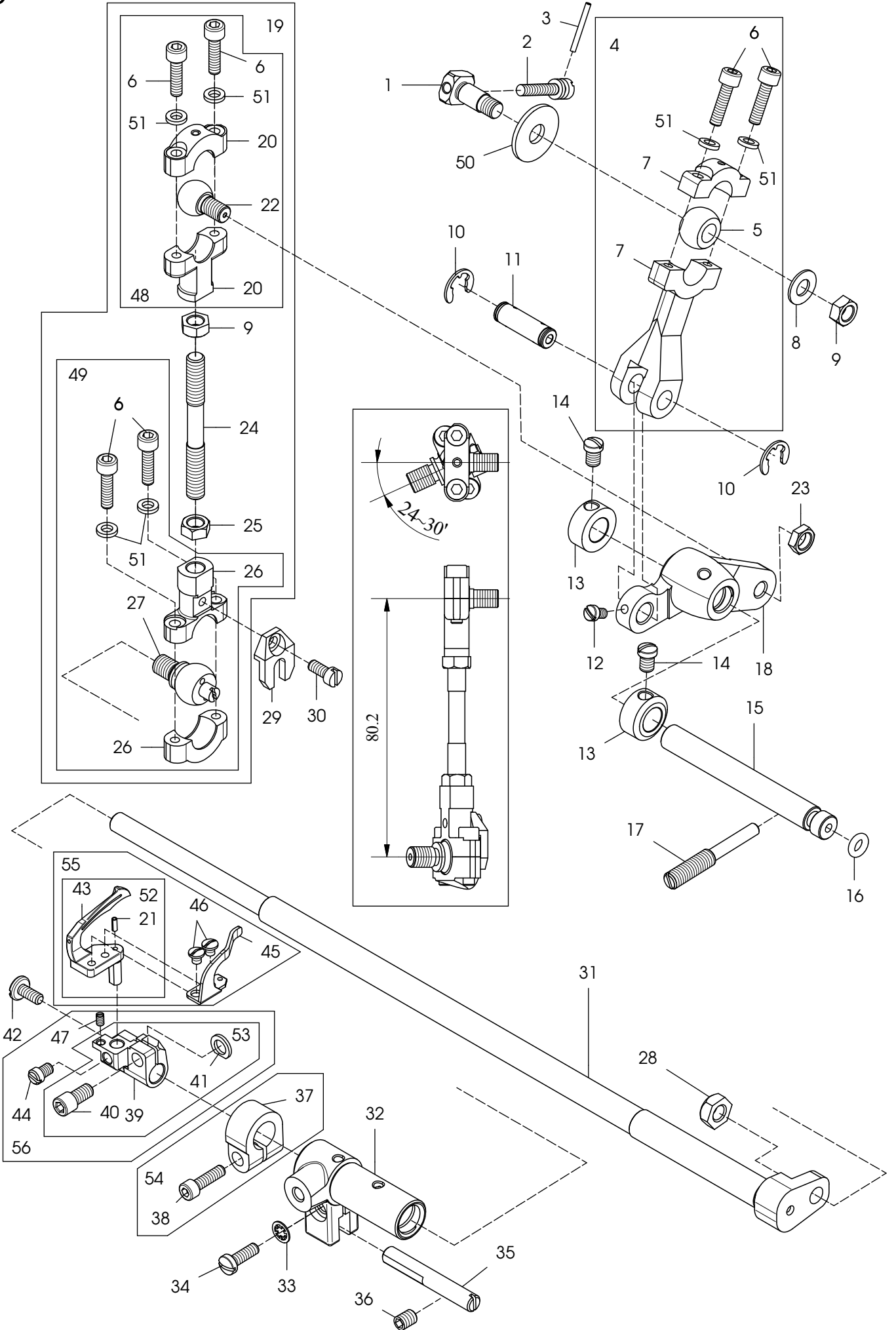


SPREADER MECHANISM

上切刀及上勾針驅動機構 7

Ref.	Parts		Amt.
<u>No.</u>	<u>No.</u>	<u>Description</u>	<u>品 名</u>
			<u>Req.</u>
40	07400740	Knife Holder Shank.....	上切刀固定座柄..... 1
41	07400741	Screw (3/32-56X3.8).....	螺絲..... 1
42	07400742	Knife Support.....	上切刀支架..... 1
43	07400743	Screw (3/32-56X1.2).....	螺絲..... 1
44	★ 07400744	Upper Knife.....	上切刀片..... 1
45	07400745	Knife Holder.....	上刀片固定座..... 1
46	07400746	Screw (3/32-56X7).....	螺絲..... 2
47	07400747	Screw (1/4-40X6).....	螺絲..... 1
48	07400748	Carrier/Hook Driving Rod C. (Left).....	上飾線驅動珠桿組..... 1
49	07400749	Knife Driving Connection (Right) C. Set... 上切刀傳動連結桿(右)組... 1	
50	07400750	Knife Driving Connection (Left) C. Set..... 上切刀傳動連結桿(左)組..... 1	
51	07400751	Knife Holder Guide Collar C. Set.....	刀台組..... 1
53	07400753	Knife Holder Guide Collar.....	刀台座..... 1
54	07400754	Knife Holder Guide Collar Bushing(Top).....	刀台座銅套(上)..... 1
55	07400755	Knife Holder Guide Collar Bushing(Under).....	刀台座銅套(下)..... 1
56	07400556	Oil Seal.....	油封..... 1
57	07400557	Screw (M3.5-0.6X8).....	螺絲(一字頭)..... 2
58	07400558	Screw (M3.5-0.6X6).....	螺絲(一字頭)..... 1
59	07400759	Presser Foot Lifter Stop Plunger C.Set.....	抬押腳軸組..... 1
60	07400760	Knife Holder C.Set.....	上刀片固定座組..... 1
61	07400761	Knife Holder Guide Collar C.Set.....	刀台襯套組..... 1
62	07400851	Washer.....	墊片..... 4

★ 請參照附件 1【針距規格表】

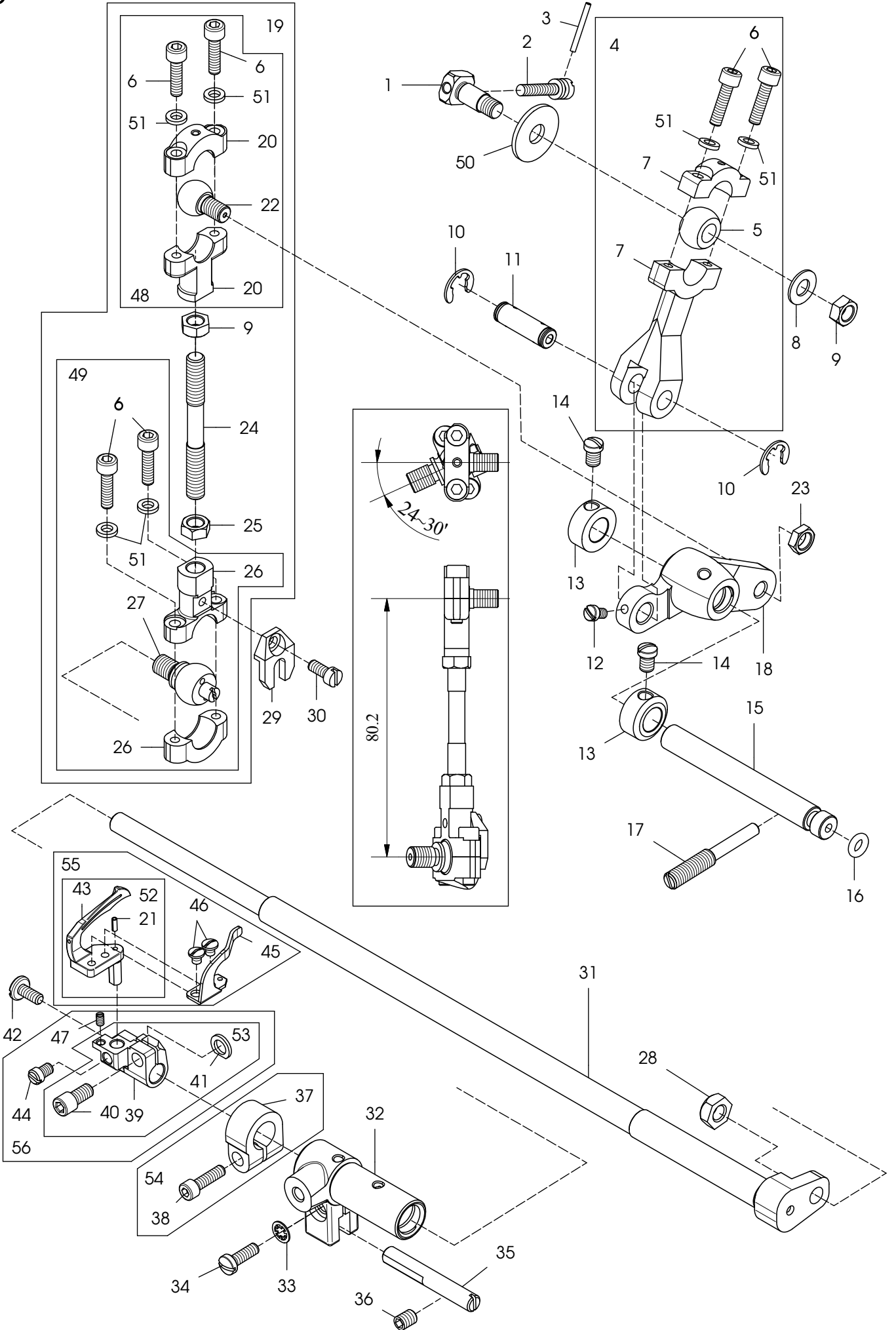


LOOPER DRIVING MECHANISM

下勾針驅動機構

8

Ref.	Parts			Amt.
No.	No.	Description	品 名	Req.
1	07400801	Looper Driving Crank Pin.....	下勾針驅動曲柄插銷.....	1
2	07400802	Screw (9/64-40X16.3).....	螺絲.....	1
3	07400803	Roll Pin for Main Shaft.....	插銷.....	1
4	07400804	Looper Lever Driving Rod C. Set.....	下勾針驅動桿組.....	1
5	07400805	Looper Lever Driving Rod Ball.....	下勾針驅動桿球.....	1
6	07400728	Screw (M3.5-0.6X14).....	螺絲.....	6
7	07400807	Looper Lever Driving Rod.....	下勾針驅動桿.....	1
8	07400808	Washer.....	墊片.....	1
9	07400729	Nut (Left-handed Screw).....	螺帽.....	2
10	07400810	Retaining Ring.....	扣環.....	2
11	07400811	Looper Lever Driving Rod Pin.....	下勾針驅動桿插銷.....	1
12	07400812	Screw (1/8-44X5).....	螺絲.....	1
13	07400813	Collar.....	軸環.....	2
14	07400814	Screw (11/64-40X5.8).....	螺絲.....	2
15	07400815	Looper Lever Shaft.....	下勾針槓桿軸.....	1
16	07400816	O-ring.....	O 型橡膠環.....	1
17	07400817	Screw (7/32-32X18).....	螺絲.....	1
18	07400818	Looper Lever.....	下勾針槓桿.....	1
19	07400819	Looper Driving Connection Rod C. Set.....	下勾針驅動連桿組.....	1
20	07400820	Looper Driving Connection(Upper).....	下勾針驅動連桿(上).....	1
21	07400821	Pin.....	插銷.....	1
22	07400822	Looper Driving Connection Ball(Upper)....	下勾針驅動連桿球(上)....	1
23	07400823	Nut.....	螺帽.....	1
24	07400730	Looper Driving Connecting Rod.....	下勾針驅動連結桿.....	1
25	07400731	Nut.....	螺帽.....	1
26	07400826	Looper Driving Connection(Lower).....	下勾針驅動連桿(下).....	1
27	07400827	Looper Driving Connection Ball(Lower)...	下勾針驅動連桿球(下).....	1
28	07400828	Nut.....	螺帽.....	1
29	07400829	Steady Fork.....	穩定叉.....	1
30	07400830	Screw (M3.5-0.6X8).....	螺絲.....	1
31	07400831	Looper Rocker Shaft.....	下勾針搖桿軸.....	1
32	07400832	Looper Rocker Shaft Sleeve.....	下勾針搖桿軸套筒.....	1
33	07400833	Washer.....	墊片.....	1
34	07400107	Screw (9/64-40X10.8).....	螺絲.....	1
35	07400835	Looper Rocker Shaft Sleeve Guide.....	下勾針搖桿軸套筒導件.....	1
36	07400836	Screw (3/16-32X8).....	螺絲.....	1
37	07400837	Collar.....	下勾針搖桿軸環.....	1
38	07400838	Screw(11/64-40X13).....	螺絲.....	1



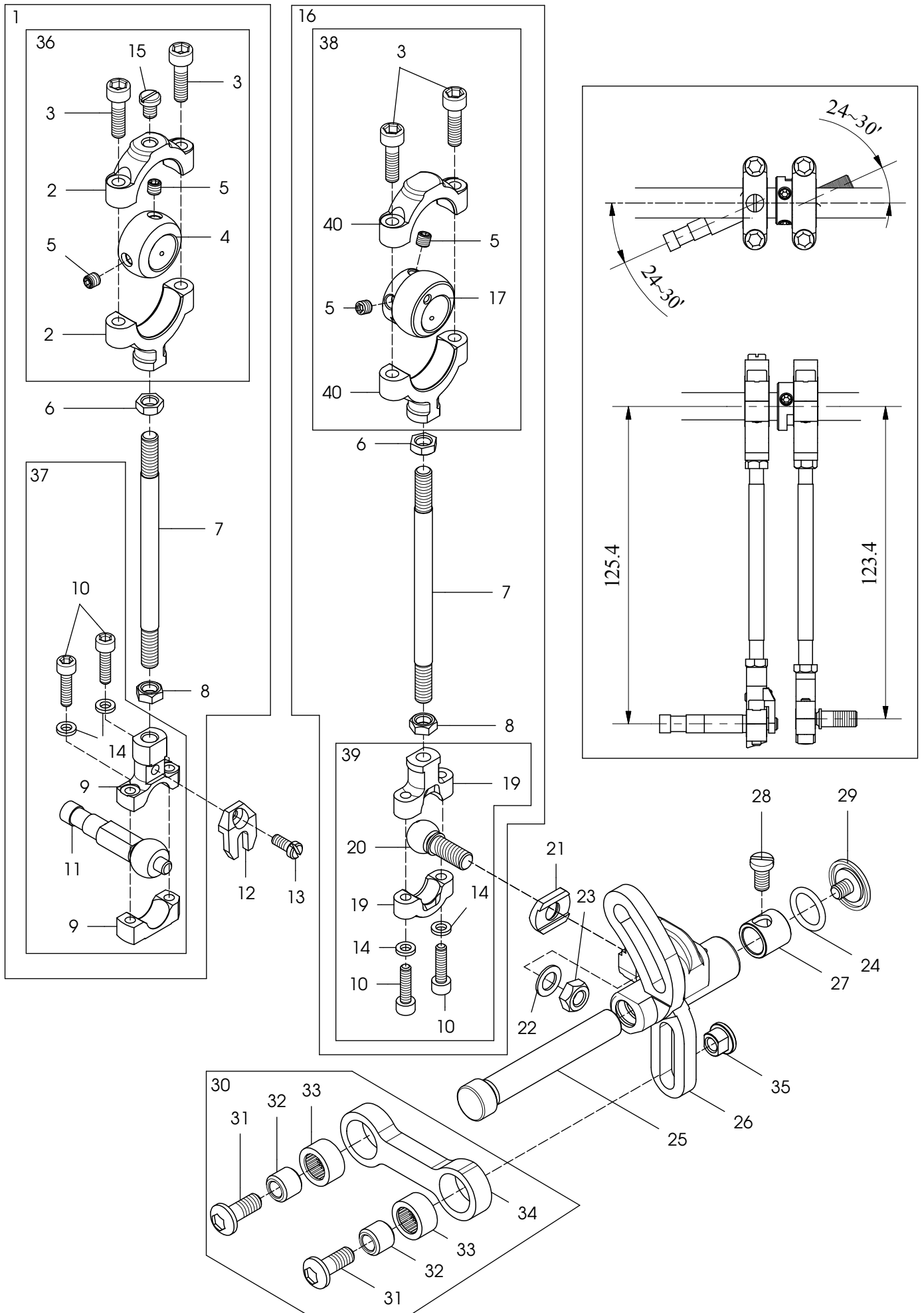
LOOPER DRIVING MECHANISM

下勾針驅動機構

8

Ref.	Parts			Amt.
<u>No.</u>	<u>No.</u>	<u>Description</u>	<u>品 名</u>	<u>Req.</u>
39	07400839	Looper Holder.....	下勾針固定座.....	1
40	07400840	Screw (11/64-40X8.3).....	螺絲.....	1
41	07400841	Packing.....	襯墊.....	1
42	07400842	Adjusting Screw(9/64-40X8.2).....	調節螺絲.....	1
43	★ 07400843	Looper.....	下飾線勾針.....	1
44	07400844	Screw (9/64-40X4.9).....	螺絲.....	1
45	★ 07400845	Needle Guard(Front).....	針檔(前).....	1
46	07400846	Screw (29/256-48X3).....	螺絲.....	2
47	07400847	Screw (3/32-56X3.6).....	螺絲.....	1
48	07400848	Looper Driving Connection(Upper) C. Set.....	下勾針驅動連結組(上).....	1
49	07400849	Looper Driving Connection(Lower) C. Set.....	下勾針驅動連結組(下).....	1
50	07400850	Spacer.....	墊片.....	1
51	07400851	Washer.....	墊片.....	6
52	07400852	Looper C.Set.....	下飾線勾針組.....	1
53	07400853	Looper Holder C.Set.....	下勾針固定座組.....	1
54	07400854	Collar C.Set.....	下勾針搖桿軸環組.....	1
55	07400855	Looper C.Set.....	下飾線勾針組.....	1
56	07400856	Looper Holder C.Set.....	下勾針固定座組.....	1

★ 請參照附件 1 【針距規格表】

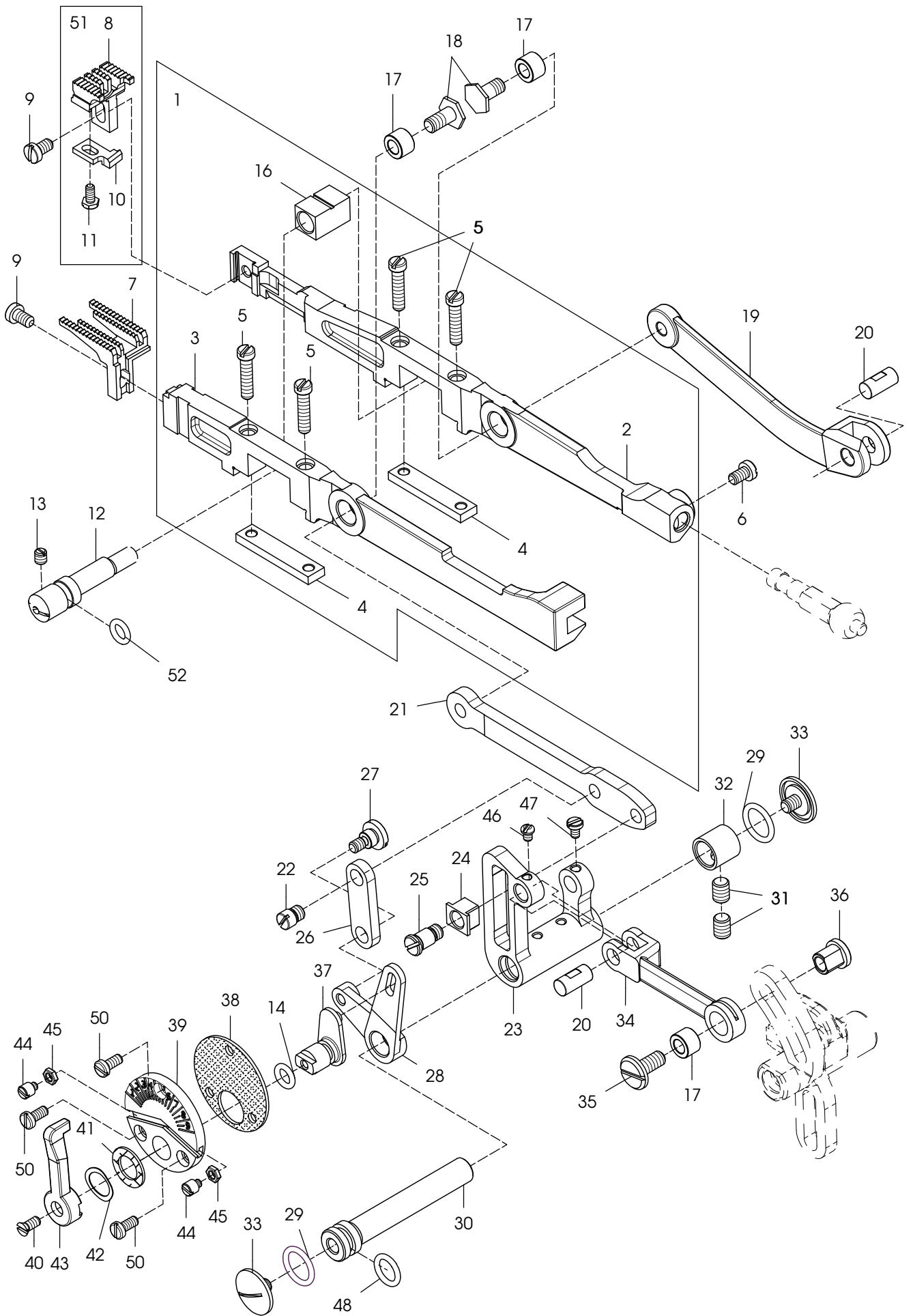


FEED DRIVING CONTROL MECHANISM

送料具驅動機構

9

Ref.	Parts			Amt.
No.	No.	Description	品 名	Req.
1	07400901	Feed Lift Eccentric C. Set.....	送料具提升偏心輪組.....	1
2	07400902	Feed Lift Connection (Upper).....	送料具提升連桿(上).....	1
3	07400903	Screw (11/64-40X16).....	螺絲.....	4
4	07400904	Feed Lift Eccentric Ball.....	送料具提升偏心輪球.....	1
5	07400225	Screw (11/64-40X4).....	螺絲.....	4
6	07400729	Nut (Left-handed Screw).....	螺帽.....	2
7	07400907	Feed Drive Eccentric Connecting Rod.....	送料具驅動連結桿.....	2
8	07400731	Nut.....	螺帽.....	2
9	07400909	Feed Lift Connection (Lower).....	送料具提升連桿.....	1
10	07400728	Screw (M3.5-0.6X14).....	螺絲.....	4
11	07400911	Feed Lift Connection Ball.....	送料具提升連桿球.....	1
12	07400829	Steady Fork.....	穩定叉.....	1
13	07400830	Screw (M3.5-0.6X8).....	螺絲.....	1
14	07400851	Washer.....	墊片.....	4
15	07400915	Screw (M5-0.8X6).....	螺絲.....	1
16	07400916	Feed Drive Eccentric C. Set.....	送料具驅動偏心連組.....	1
17	07400917	Feed Drive Eccentric Ball.....	送料具驅動偏心輪球.....	1
19	07400919	Feed Drive Connection(Lower).....	送料具驅動連桿(下).....	1
20	07400920	Feed Drive Connection Ball.....	送料具驅動連桿球.....	1
21	07400921	Steady Washer.....	穩定墊片.....	1
22	07400128	Washer.....	墊片.....	1
23	07400828	Nut.....	螺帽.....	1
24	07400924	O-ring.....	O 型橡膠環.....	1
25	07400925	Feed Drive Shaft.....	送料具驅動軸.....	1
26	07400926	Feed Drive/Looper Avoid Lever.....	勾齒台座.....	1
27	07400927	Feed Drive Shaft Bushing.....	送料具驅動軸套筒.....	1
28	07400928	Screw (3/16-32X9.1).....	螺絲.....	1
29	07400929	Screw (3/16-32X6).....	螺絲.....	1
30	07400930	Looper Avoid Connecting Rod C. Set.....	下勾針連桿組.....	1
31	07400931	Screw (7/32-32X10).....	螺絲.....	2
32	07400932	Looper Avoid Connecting Rod Bushing.....	下勾針連桿襯套.....	2
33	07400933	Needle Bearing.....	軸承.....	2
34	07400934	Looper Avoid Connecting Rod.....	下勾針前後連桿.....	1
35	07400935	Looper Avoid Adjusting Nut.....	調整螺母.....	1
36	07400936	Feed Lift Connection(Upper) C. Set.....	送料具提升連桿(上)組....	1
37	07400937	Feed Lift Connection(Lower) C. Set.....	送料具提升連桿(下)組....	1
38	07400938	Feed Drive Eccentric(Upper) C. Set.....	送料具提升偏心輪(上)組....	1
39	07400939	Feed Drive Eccentric(Lower) C. Set.....	送料具提升偏心輪(下)組....	1
40	07400940	Feed Drive Eccentric(Upper).....	送料具提升偏心輪(上)....	1



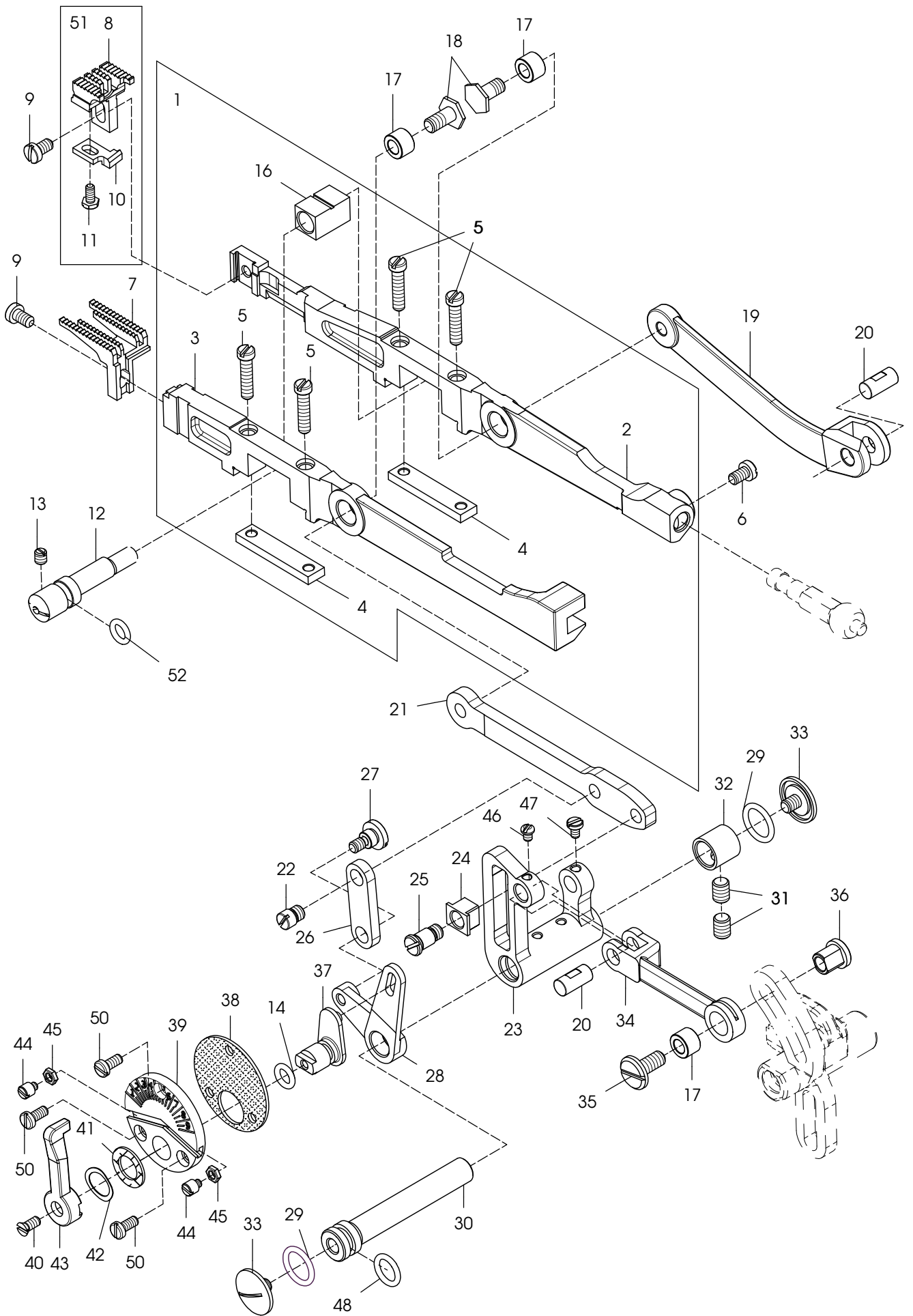
FEED DRIVING MECHANISM

送料具調節機構

10

Ref.	Parts			Amt.
No.	No.	Description	品 名	Req.
1	07401001	Feed Bar C. Set.....	送料具固定座組.....	1
2	07401002	Main Feed Bar.....	主送料具固定座.....	1
3	07401003	Differential Feed Bar.....	差動送料具固定座.....	1
4	07401004	Feed Bar Plate.....	送料具固定座片.....	2
5	07401005	Screw (11/64-40X18.7).....	螺絲.....	4
6	07401006	Screw (11/64-40X7).....	螺絲.....	1
7	★ 07401007	Differential Feed Dog.....	前送齒.....	1
8	★ 07401008	Main Feed Dog.....	單切後送齒.....	1
9	07400302	Screw (11/64-40X7.8).....	螺絲.....	2
10	★ 07401010	Needle Guard(Rear).....	針檔(後).....	1
11	07401011	Screw (1/8-44X4.8).....	螺絲.....	1
12	07401012	Feed Bar Eccentric Pin.....	送料具偏心銷.....	1
13	07400508	Screw (11/64-40X6).....	螺絲.....	1
14	07401014	O-ring.....	O 型橡膠環.....	1
16	07401016	Feed Bar Slide Block.....	送料具滑塊.....	1
17	07401017	Feed Rocker Link Bushing.....	送料具搖桿套筒.....	3
18	07401018	Screw (7/32-32X6.5).....	螺絲.....	2
19	07401019	Main Feed Bar Driving Link.....	主送料具固定座驅動桿... 1	
20	07401020	Feed Rocker Link Pin.....	送料具搖桿插銷.....	2
21	07401021	Differential Feed Bar Driving Link.....	差動送料具固定座驅動桿... 1	
22	07401022	Screw (7/32-32X5).....	螺絲.....	1
23	07401023	Feed Rocker.....	送料具搖桿.....	1
24	07401024	Differential Feed Bar Driving Link Slider.....	差動送料具固定座驅動桿滑塊... 1	
25	07401025	Screw (7/32-32X4.6).....	螺絲.....	1
26	07401026	Differential Feed Adjusting Link.....	差動送料具調節桿.....	1
27	07401027	Screw (11/64-40X6.6).....	螺絲.....	1
28	07401028	Differential Feed Adjusting Lever.....	差動送料具調節槓桿.....	1
29	07400924	O-ring.....	O 型橡膠環.....	2
30	07401030	Feed Rocker Shaft.....	送料具搖桿軸.....	1
31	07400836	Screw (3/16-32X8).....	螺絲.....	2
32	07401032	Feed Rocker Shaft Bushing.....	送料具搖桿軸套筒.....	1
33	07400929	Screw (3/16-32X6).....	螺絲.....	2
34	07401034	Feed Rocker Link.....	送料具搖桿連桿.....	1
35	07401035	Screw (7/32-32X10.5).....	螺絲.....	1
36	07401036	Feed Adjusting Nut.....	送料具調節螺絲.....	1
37	07401037	Differential Feed Adjusting Lever (Middle).....	差動送料具調節槓桿(中)... 1	
38	07401038	Differential Feed Adjusting Dial Gasket.....	差動送料具調節標度盤墊片... 1	

★ 請參照附件 1【針距規格表】

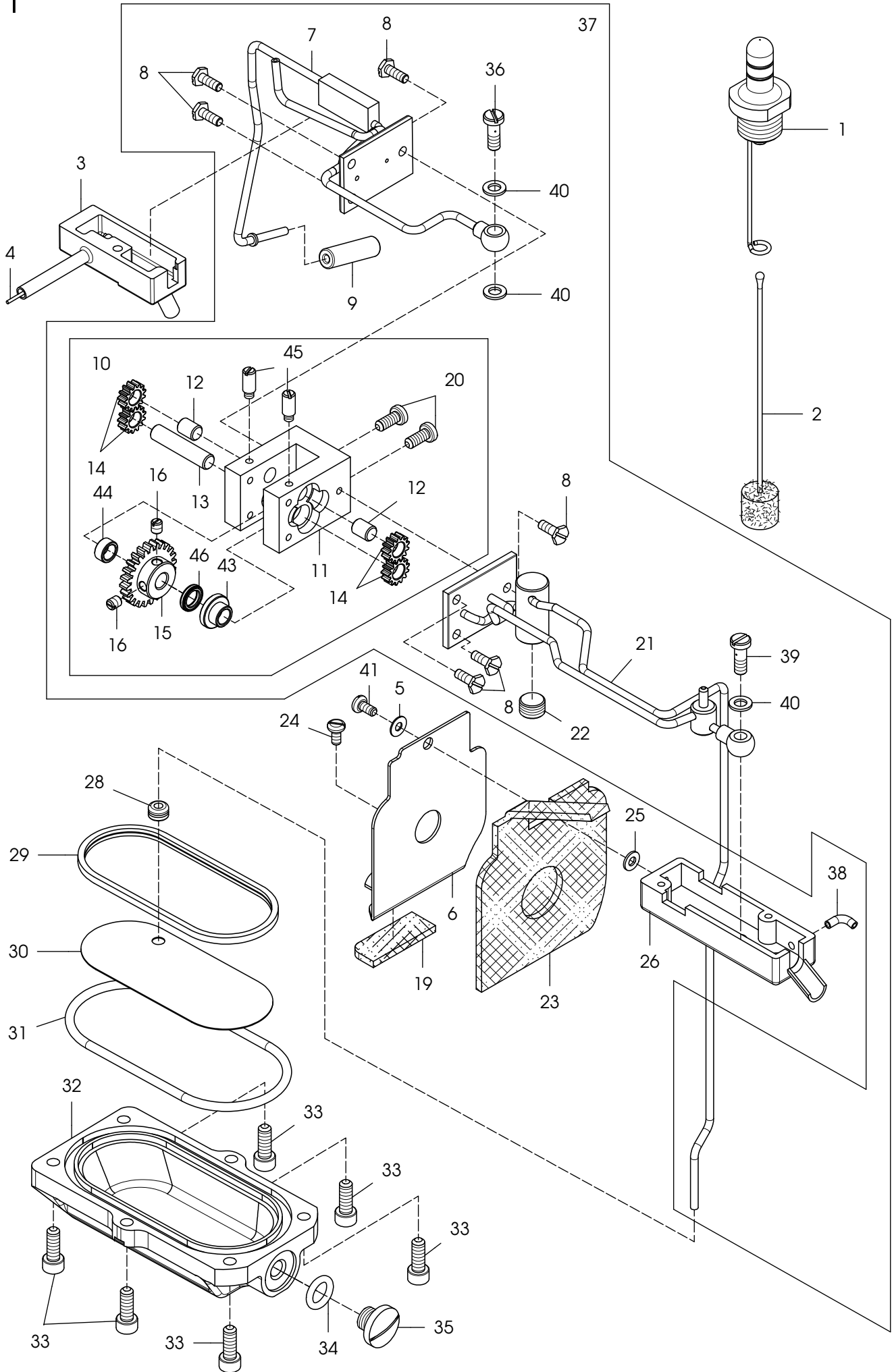


FEED DRIVING MECHANISM

送料具調節機構

10

Ref.	Parts			Amt.
<u>No.</u>	<u>No.</u>	<u>Description</u>	<u>品 名</u>	<u>Req.</u>
39	07401039	Differential Feed Adjusting Dial.....	差動送料具調節標度盤.....	1
40	07400132	Screw (9/64-40X8).....	螺絲.....	1
41	07401041	Spacer (Fiber).....	墊片(纖維).....	1
42	07401042	Corrugated Washer.....	波狀墊片.....	1
43	07401043	Differential Feed Operating Lever.....	差動送料具操作桿.....	1
44	07401044	Screw (M3-0.5X2.6).....	螺絲.....	2
45	07401045	Nut.....	螺帽.....	2
46	07401046	Screw (1/8-44X5).....	螺絲.....	1
47	07401047	Screw (1/8-44X4.7).....	螺絲.....	1
48	07401048	O-ring.....	O 型橡膠環.....	1
50	07400208	Screw (9/64-40X8).....	螺絲.....	3
51	07401051	Main Feed Dog C.Set.....	單切後送齒組.....	1
52	07401052	O-ring.....	O 型橡膠環.....	1



LUBRICATING MECHANISM

給油機構

11

Ref.	Parts			Amt.
No.	No.	Description	品名	Req.
1	07401101	Crank Chamber Oil Gauge Unit.....	油鏡(後).....	1
2	07401102	Oil Height Indicator.....	油量指示棒.....	1
3	07401103	Oil Receiver (Rear).....	油量接收器(後).....	1
4	07401104	Oil Wick.....	油芯.....	1
5	07400139	Washer.....	墊片.....	1
6	07401106	Take-up Oil Defense Plate.....	打線防油板.....	1
7	07401107	Pump Housing Cover (Rear) Unit.....	迴油管路(後).....	1
8	07401108	Screw (9/64-40X10.3).....	螺絲.....	6
9	07401109	Filter Condenser.....	過濾器.....	1
10	07401110	Pump C. Set.....	油泵組.....	1
11	07401111	Pump Housing.....	油泵殼.....	1
12	07401112	Pump Gear Shaft (Short).....	油泵齒輪(短).....	2
13	07401113	Pump Gear Shaft (Long).....	油泵齒輪(長).....	1
14	07401114	Oil Pump Gear.....	油泵齒輪.....	4
15	07401115	Pump Driven Gear.....	油泵從動齒輪.....	1
16	07401116	Screw (11/64-40X5).....	螺絲.....	2
19	07401119	Thread Take-up Oil Defense Unit.....	打線防油墊片(小).....	1
20	07401120	Screw (11/64-40X10.5).....	螺絲.....	2
21	07401121	Pump Housing Cover (Front) Unit.....	回油管路(前).....	1
22	07401122	Screw (M10-1.5X6.1).....	螺絲.....	1
23	07401123	Thread Take-up Oil Defense Unit.....	打線防油墊片(大).....	1
24	07400111	Screw (9/64-40X5.6).....	螺絲.....	1
25	07401125	Washer.....	墊片.....	1
26	07401126	Oil Receiver (Front).....	油量接收器(前).....	1
28	07401128	Rubber Bushing.....	橡膠套筒.....	1
29	07401129	Oil Filter Screen Rubber Seal.....	吸油氈篩橡膠油封.....	1
30	07401130	Oil Filter Screen.....	吸油氈篩.....	1
31	07401131	Oil Reservoir Rubber Seal.....	油槽橡膠油封.....	1
32	07401132	Oil Reservoir.....	油槽.....	1
33	07401133	Screw (M5-0.8X14).....	螺絲.....	6
34	07400124	O-ring.....	O型橡膠環.....	1
35	07400125	Drain Hole Screw (3/8-24X8).....	螺絲.....	1
36	07401136	Screw (3/16-32X8).....	螺絲(孔小).....	1
37	07401137	Pump C. Set.....	油泵組.....	1
38	07401138	Oil Tube.....	供油銅管.....	1
39	07401139	Screw (3/16-32X8).....	螺絲(孔大).....	1
40	07401140	Washer.....	墊片.....	3
41	07400150	Screw (9/64-40X7).....	螺絲.....	1
43	07401143	Bushing(Front).....	套管.....	1
44	07401144	Bushing(Rear).....	套管.....	1
45	07401145	Screw (9/64-40X2).....	螺絲.....	2
46	07400425	Oil Seal.....	油封.....	1

DEIRCTLY DRIVING TYPE MINI-SERVO MOTOR C.SET

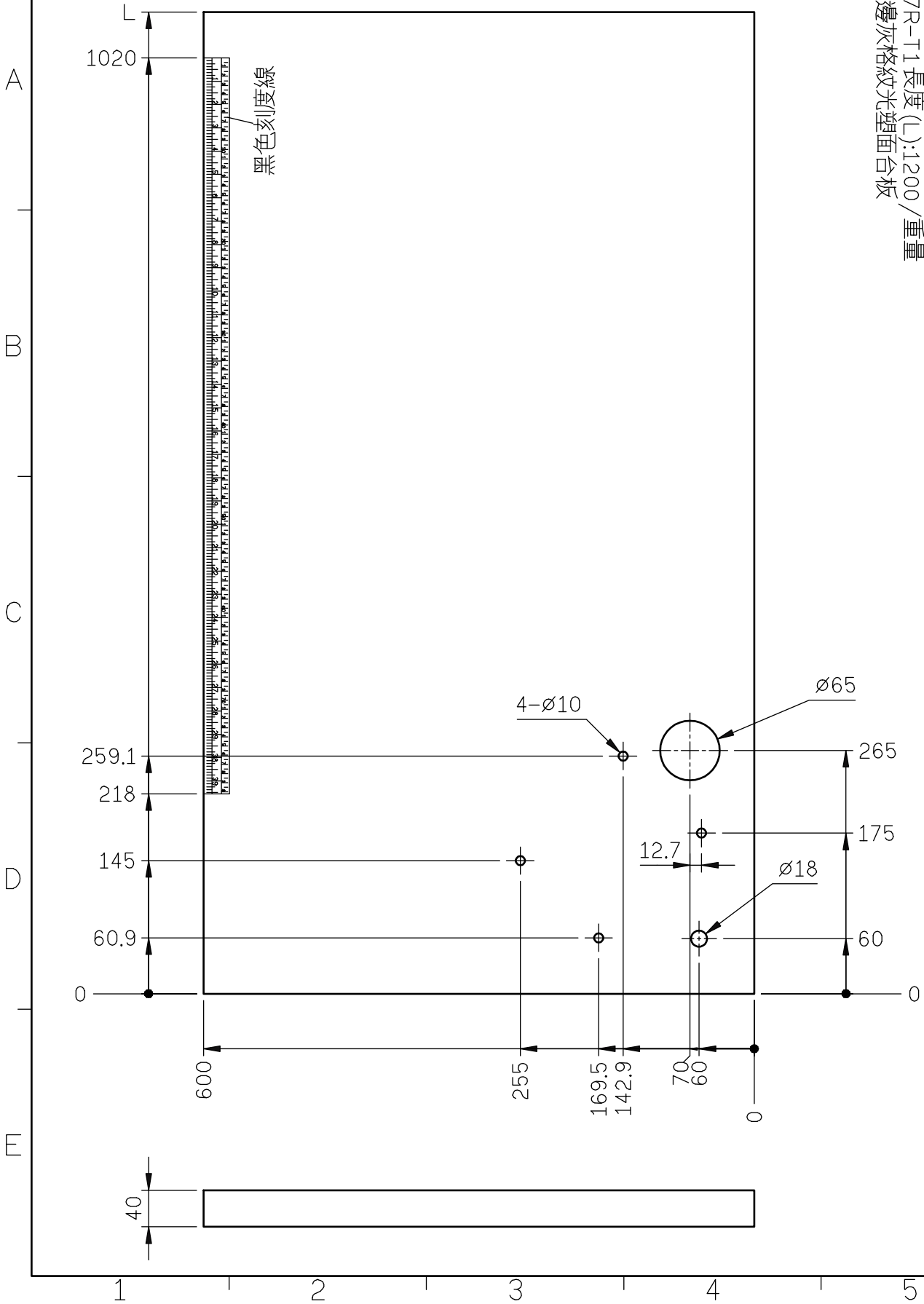
伺服馬達機構

12

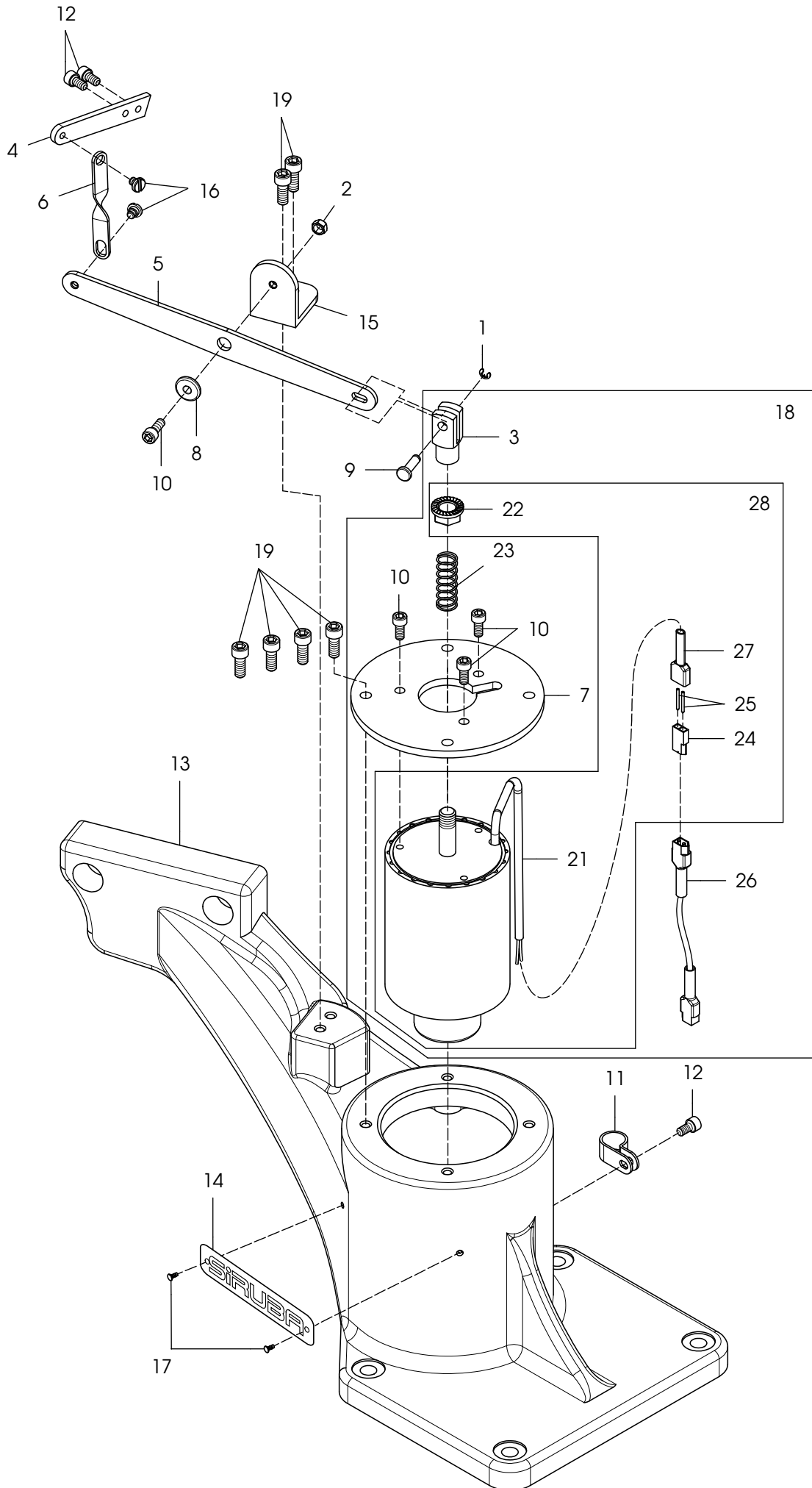
Ref.	Parts			Amt.
<u>No.</u>	<u>No.</u>	<u>Description</u>	<u>品 名</u>	<u>Req.</u>
1	07401201	Directly Driving Type Mini-Servo Motor...	直驅式微型伺服馬達.....	1
2	07401202	Screw (M6-1X20).....	螺絲.....	3
3	07401203	Washer.....	墊片.....	3
4	07401204	Control Box Set.....	控制箱組.....	1
6	07401206	Control Box.....	控制箱.....	1
7	07401207	Starter.....	起動器.....	1
8	07401208	Wood Screw.....	木螺絲.....	7
9	07401209	Pitman.....	腳踏板連接桿.....	1
10	07401210	Handwheel.....	手推輪.....	1
11	07401211	Screw(M5-0.8X6).....	螺絲.....	2
12	07401212	Motor Cover.....	馬達護蓋.....	1
13	07401213	Screw(M4-0.7X4).....	螺絲.....	2
14	07401214	Mini-Servo Motor C.Set.....	微型馬達組.....	1

TABLE CUT-OUT OF D007R-T1

單位/UNIT:mm
 所有尺寸公差/DIFFERENCE:±2
 D007R-T1-1070長度(L):1070/重量
 D007R-T1長度(L):1200/重量
 全封邊灰格紋光塑面台板



<u>TABLE</u>			桌板圖	13
<u>Ref.</u>	<u>Parts</u>			<u>Amt.</u>
<u>No.</u>	<u>No.</u>	<u>Description</u>	<u>品 名</u>	<u>Req.</u>
1	07401301	D007R Table.....	D007R 桌板圖.....	1

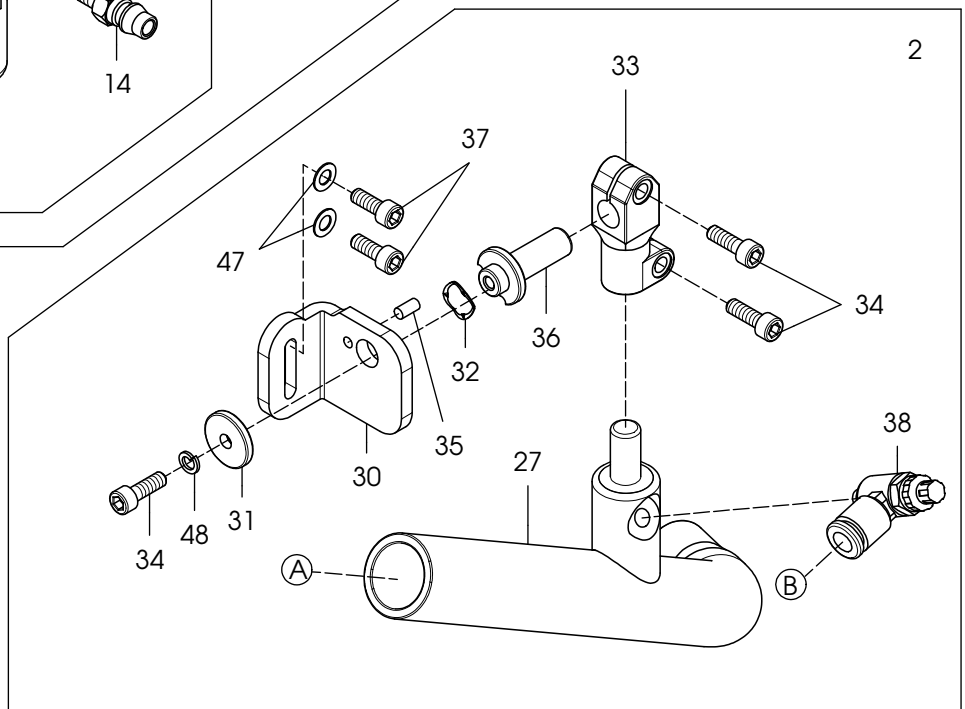
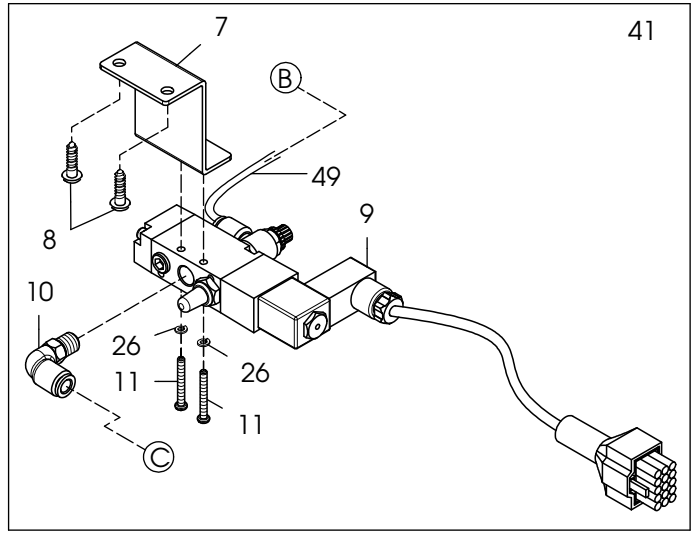
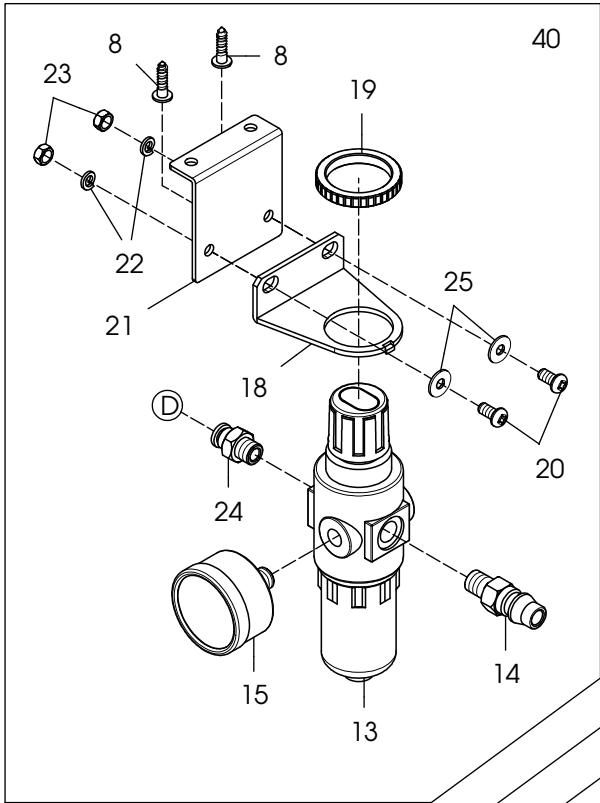
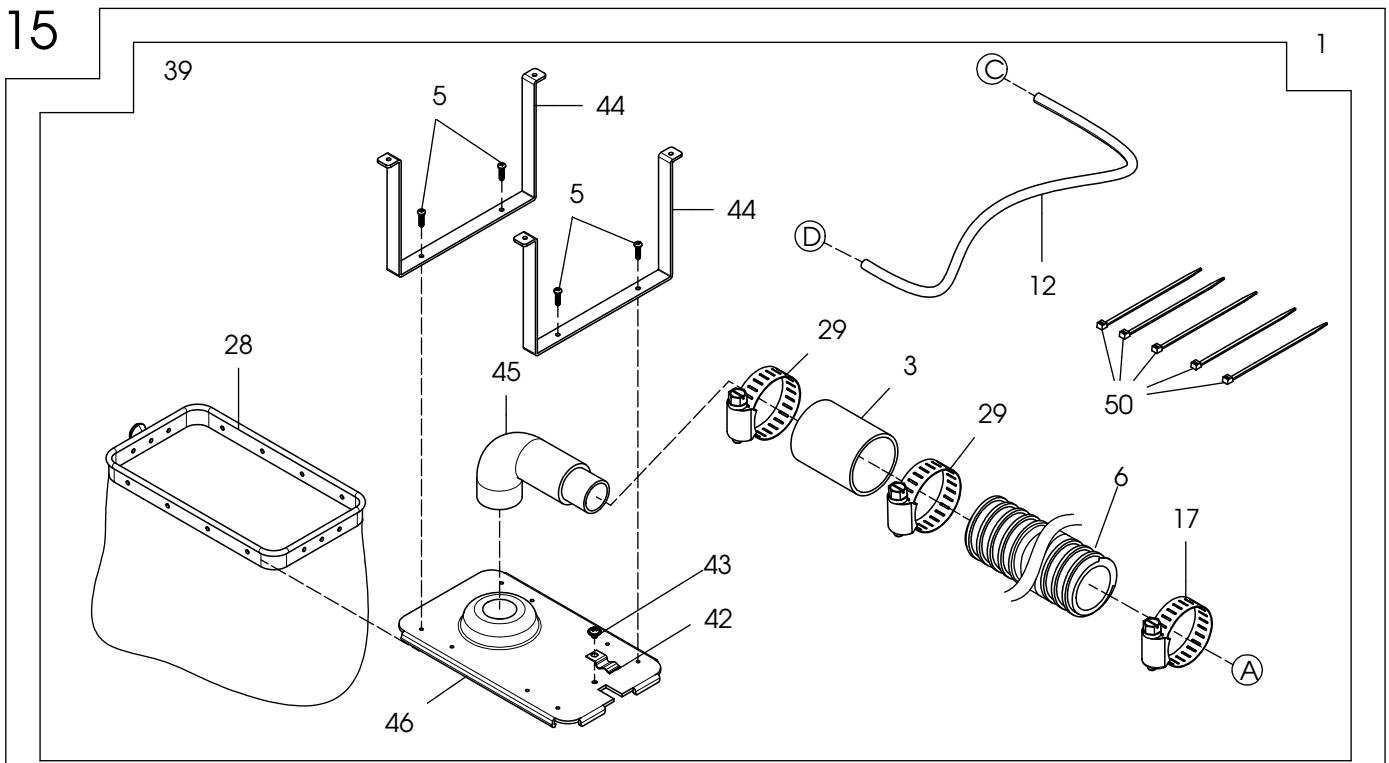


SUPPORTING BLOCK MECHANISM

車台固定座機構

14

Ref.	Parts			Amt.
No.	No.	Description	品名	Req.
1	07401401	Retaining Ring.....	扣環.....	1
2	07401402	Nut.....	螺帽.....	1
3	07401403	Presser Foot Lifter Connector.....	抬押腳接頭.....	1
4	07401404	Presser Foot Lifter Connecting Lever(S)....	抬押腳連接片(小).....	1
5	07401405	Presser Foot Lifter Connecting Lever(L)....	抬押腳連接片(大).....	1
6	07401406	Presser Foot Lifter Switch Lever.....	抬押腳轉接片.....	1
7	07401407	Fix Solenoid Plate.....	電磁鐵固定套.....	1
8	07401408	Center Sleeve.....	中心襯套.....	1
9	07401409	Fix Pin.....	轉接頭插銷.....	1
10	07401410	Screw(M5-0.8X14).....	螺絲.....	4
11	07401411	Pin.....	固線鈕.....	1
12	07401412	Screw(M5-0.8X10).....	螺絲.....	3
13	07401413	Supporting Block.....	車台固定座.....	1
14	07400151	Emblem.....	銘牌.....	1
15	07401415	Center Bracket.....	中心座.....	1
16	07401416	Screw(3/16-32X3.5).....	螺絲.....	2
17	07400164	Rivet.....	鉚釘.....	2
18	07401418	Solenoid C.Set.....	電磁鐵組.....	1
19	07401419	Screw(M6-1X16).....	螺絲.....	6
21	07401421	Solenoid.....	電磁鐵.....	1
22	07401422	Nut.....	電磁鐵螺母.....	1
23	07401423	Spring.....	定位緩衝壓簧.....	1
24	07401424	Joint.....	端子座.....	1
25	07401425	Terminal.....	端子.....	1
26	07401426	Relay Line.....	抬押腳中繼線.....	1
27	07401427	Rubber Cover.....	膠套.....	1
28	07401428	Solenoid C.Set.....	電磁鐵組.....	1



" AW1" DEVICE C.SET (SELECT DEVICE)

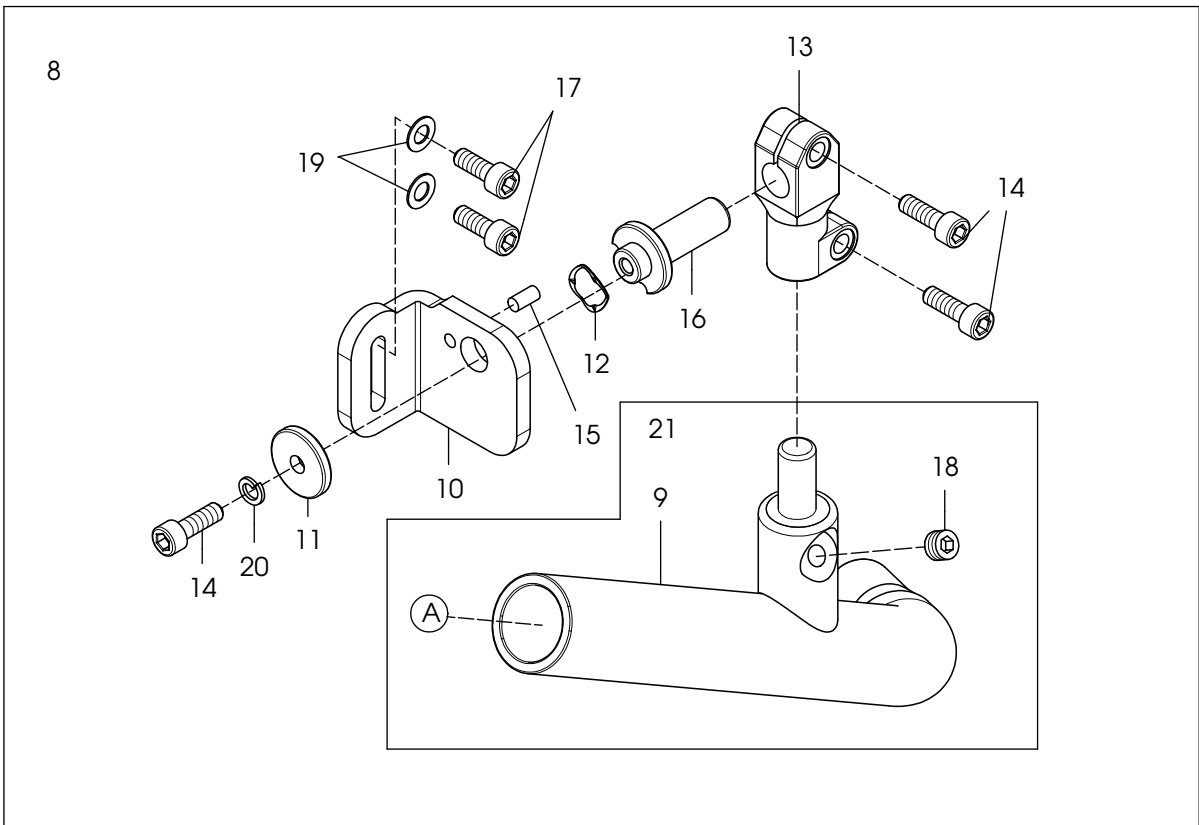
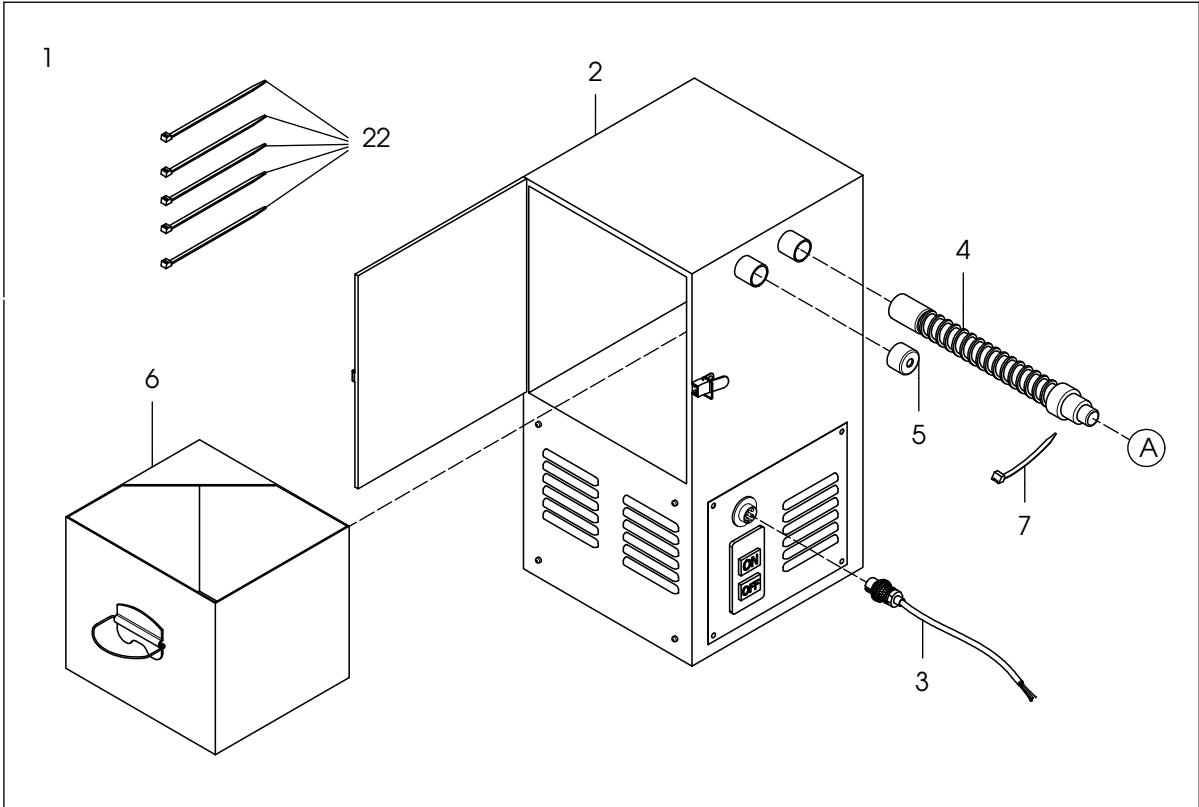
外接式吸布屑組-AW1 (選擇配備) 15

Ref.	Parts			Amt.
No.	No.	Description	品 名	Req.
1	07401501	AW Clear System.....	吸風組.....	1
2	07401502A	AW Tube System.....	吸風管組.....	1
3	07401503A	Connect Tube.....	接管.....	1
5	07401505	Wood Screw.....	木螺絲.....	4
6	07401506A	Tube.....	風管(大).....	1
7	07401507	Bracket.....	托架.....	1
8	07401508	Wood Screw.....	木螺絲.....	4
9	07401509	Solenoid Valve.....	電磁閥.....	1
10	07401510	Coupler.....	轉接頭.....	1
11	07401511	Screw (M3-0.5X24).....	螺絲.....	2
12	07401512	Tube.....	風管.....	1
13	07401513	Pneumatic Regulator.....	氣壓調節器.....	1
14	07401514	Coupler.....	轉接頭.....	1
15	07401515	Gauge.....	氣磅表.....	1
17	07401517	Fixed Ring.....	套環.....	1
18	07401518	Bracket.....	托架.....	1
19	07401519	Screw Ring.....	螺環.....	1
20	07401520	Screw (M5-0.8X9).....	螺絲.....	2
21	07401521	Bracket.....	托架.....	1
22	07401522	Spring Washer.....	彈簧墊片.....	2
23	07401523	Nut.....	螺帽.....	2
24	07401524	Coupler.....	轉接頭.....	1
25	07401525	Washer.....	墊片.....	2
26	07401526	Spring Washer.....	彈簧墊片.....	2
27	07401527A	Clear Pipe.....	吸屑管.....	1
28	07401528	Bag.....	布袋.....	1
29	07401529	Fixed Ring.....	套環.....	2
30	07401530	Bracket.....	托架.....	1
31	07401531	Washer.....	墊片.....	1
32	07401532	Wave Washer.....	波狀墊片.....	1
33	07401533	Connecting Rod.....	連桿.....	1
34	07401534	Screw (M5-0.8X16).....	螺絲.....	3
35	07401535	Pin.....	插銷.....	1
36	07401536	Connecting Rod Pin.....	連桿插銷.....	1
37	07401537	Screw (M5-0.8X14).....	螺絲.....	2
38	07401538A	Speed Connector.....	調速接頭.....	1
39	07401539A	Dust-Collecting Equipment.....	集塵組.....	1
40	07401540	Pneumatic Regulator C.Set.....	氣壓調節器組.....	1

" AW1" DEVICE C.SET (SELECT DEVICE)

外接式吸布屑組-AW1 (選擇配備) 15

<u>Ref.</u>	<u>Parts</u>			<u>Amt.</u>
<u>No.</u>	<u>No.</u>	<u>Description</u>	<u>品 名</u>	<u>Req.</u>
41	07401541	Electromagnetic Valve C.Set.....	氣壓電磁閥組.....	1
42	07401542	Spring Washer.....	彈片.....	1
43	07401543	Screw (M4-0.7X3.5).....	螺絲.....	1
44	07401544	Holder.....	固定座.....	2
45	07401545	Clear Pipe.....	吸屑管.....	1
46	07401546	Cover.....	布屑蓋.....	1
47	07401547	Washer.....	墊片(有加強).....	2
48	07401548	Washer.....	彈簧防振墊片.....	1
49	07401549	Tube (Blue)	氣管(藍)(6mmX60in).....	1
50	07401550	Ties.....	束線帶(CV-250).....	5

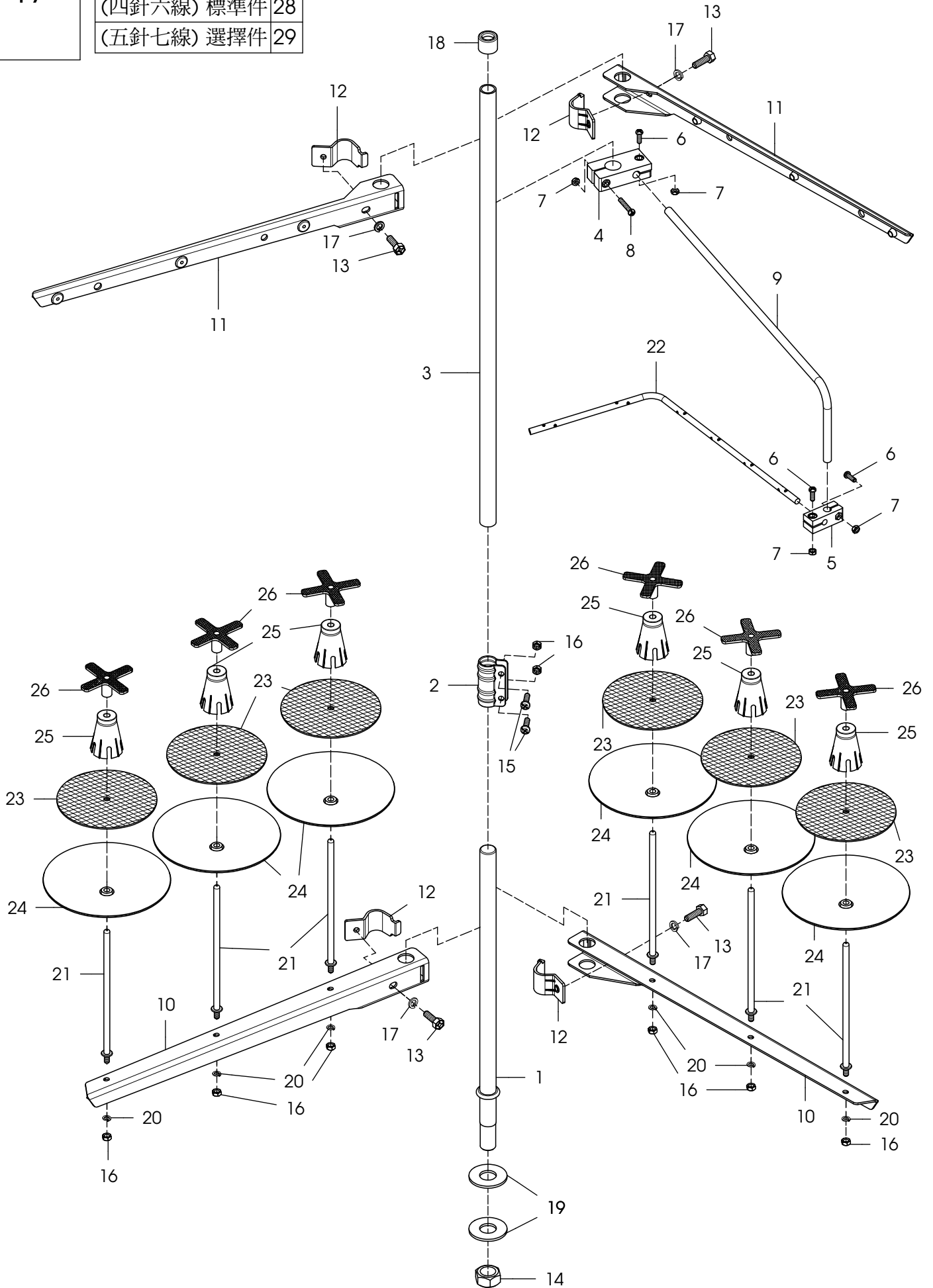


" AW2" DEVICE C.SET (SELECT DEVICE)

密封式(箱型)吸布屑組-AW2 (選擇配備) 16

Ref. No.	Parts No.	Description	品名	Amt. Req.
1	07401601	AW Case Set.....	吸風箱組.....	1
2	07401602	Air Case.....	吸風箱.....	1
3	07401603	Electric Wire.....	電源線.....	1
4	07401604	Clear Tube.....	吸屑管.....	1
5	07401605	Plug.....	塞子.....	1
6	07401606	Case.....	布屑集中盒.....	1
7	07401607	Stable Strap.....	束帶.....	1
8	07401502	AW Tube System.....	吸風管組.....	1
9	07401527A	Clear Pipe.....	吸屑管.....	1
10	07401530	Bracket.....	托架.....	1
11	07401531	Washer.....	墊片.....	1
12	07401532	Wave Washer.....	波狀墊片.....	1
13	07401533	Connecting Rod.....	連桿.....	1
14	07401534	Screw (M5-0.8X16).....	螺絲.....	3
15	07401535	Pin	插銷.....	1
16	07401536	Connecting Rod Pin.....	連桿插銷.....	1
17	07401537	Screw (M5-0.8X14).....	螺絲.....	2
18	07401618	Screw (1/8PTX7).....	螺絲.....	1
19	07401547	Washer.....	墊片.....	2
20	07401548	Washer.....	彈簧防振墊片.....	1
21	07401621A	Clear Pipe C.Set.....	吸屑管組.....	1
22	07401550	Ties.....	束線帶(CV-250).....	5

(四針六線) 標準件	28
(五針七線) 選擇件	29

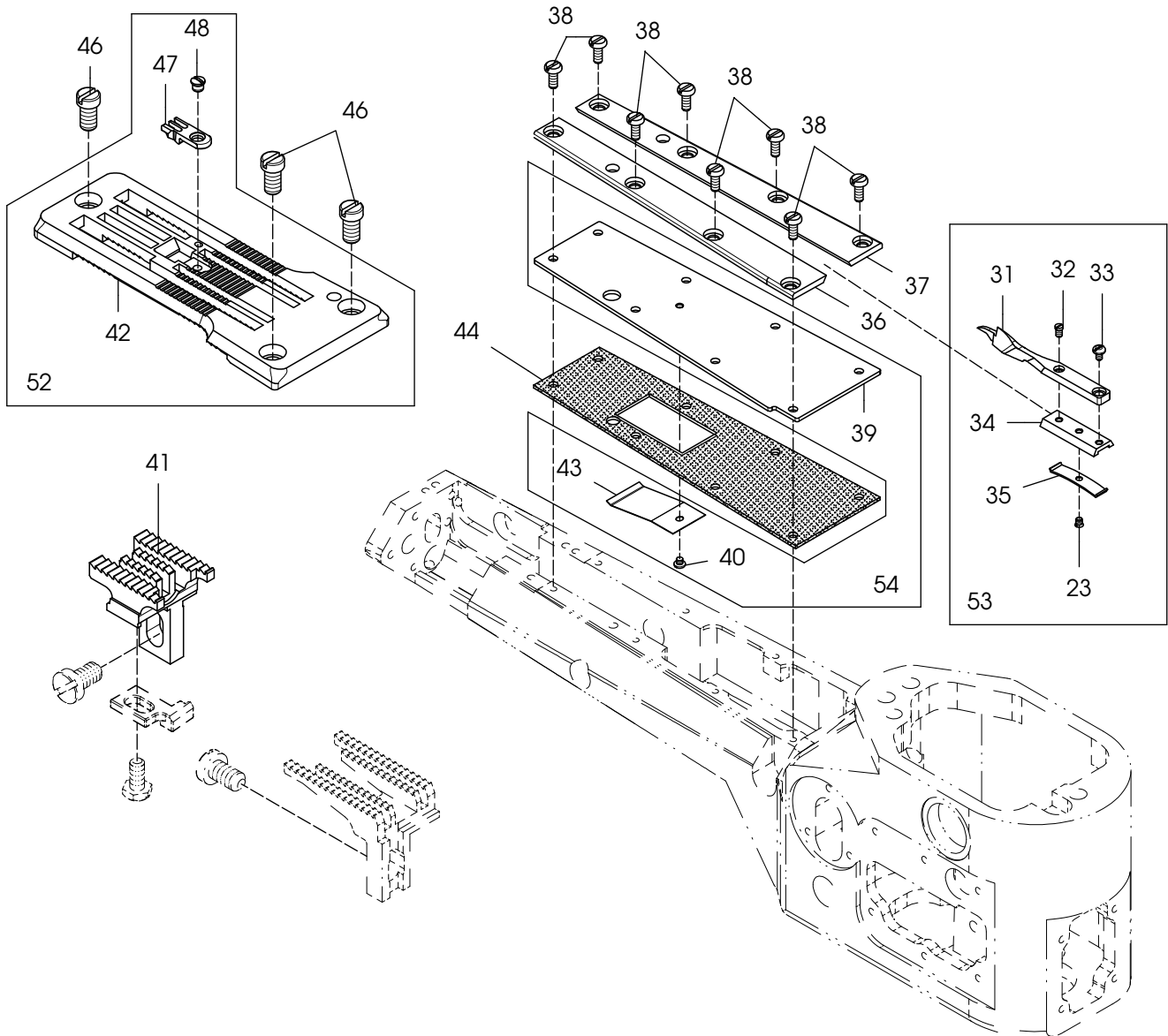
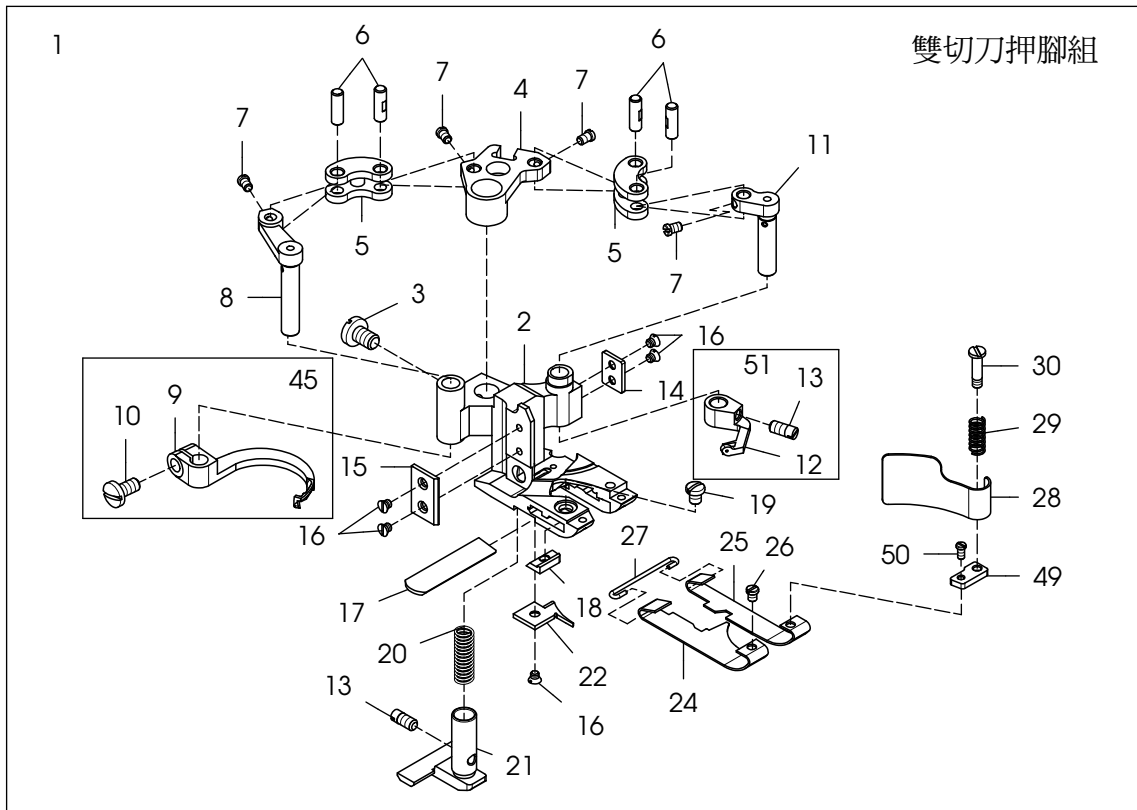


THREAD STAND

線架組

17

Ref.	Parts			Amt.
<u>No.</u>	<u>No.</u>	<u>Description</u>	<u>品 名</u>	<u>Req.</u>
1	07401701	Column Pipe (Lower).....	下線柱.....	1
2	07401702	Column Pipe Connector.....	線柱接頭.....	1
3	07401703	Column Pipe(Upper).....	上線柱.....	1
4	07401704	Thread Guide Holder (Large).....	大過線桿固定座.....	1
5	07401705	Thread Guide Holder (Small).....	小過線桿固定座.....	1
6	07401706	Screw (M4-0.7X11.9).....	螺絲.....	3
7	07401707	Nut.....	螺帽.....	4
8	07401708	Screw (M4-0.7X24.6).....	螺絲.....	1
9	07401709	Thread Guide Arm.....	過線桿連接臂.....	1
10	07401710	Spool Stand (3 Spool Type).....	3孔線軸架.....	2
11	07401711	Thread Hanger (3 Spools Type).....	3孔過線吊臂.....	2
12	07401712	Column Pipe Connector.....	線柱接頭.....	4
13	07401713	Screw (M6-1X16.8).....	螺絲.....	4
14	07401714	Nut.....	螺帽.....	1
15	07401715	Screw (M5-0.8X16.8).....	螺絲.....	2
16	07401716	Nut.....	螺帽.....	8
17	07401717	Spring Washer.....	彈簧墊片.....	4
18	07401718	Column Cap.....	柱頭蓋.....	1
19	07401719	Washer.....	墊片.....	2
20	07401720	Spring Washer.....	彈簧墊片.....	6
21	07401721	Spool Pin.....	線軸柱.....	6
22	07401722	Thread Guide (6 Spool Type).....	6孔過線桿.....	1
23	07401723	Spool Mat.....	線軸墊.....	6
24	07401724	Spool Seat Disc.....	線軸底盤.....	6
25	07401725	Spool Cushion.....	線軸避震座.....	6
26	07401726	Rubber Spool Cushion.....	橡膠線軸避震座.....	6
28	07401728	Thread Stand.....	線架(四針六線).....	1
29	07401729	Thread Stand.....	線架(五針七線).....	1



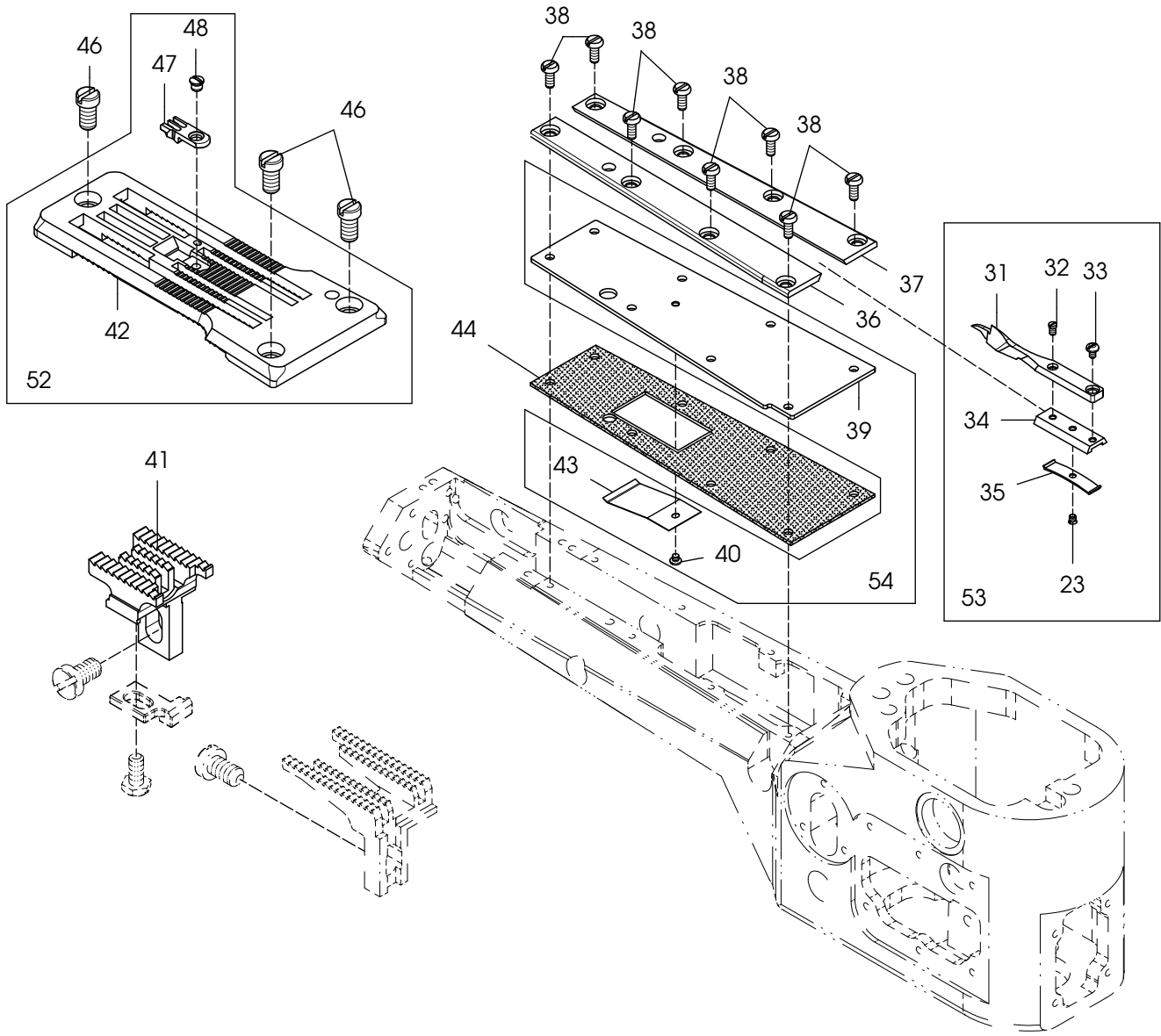
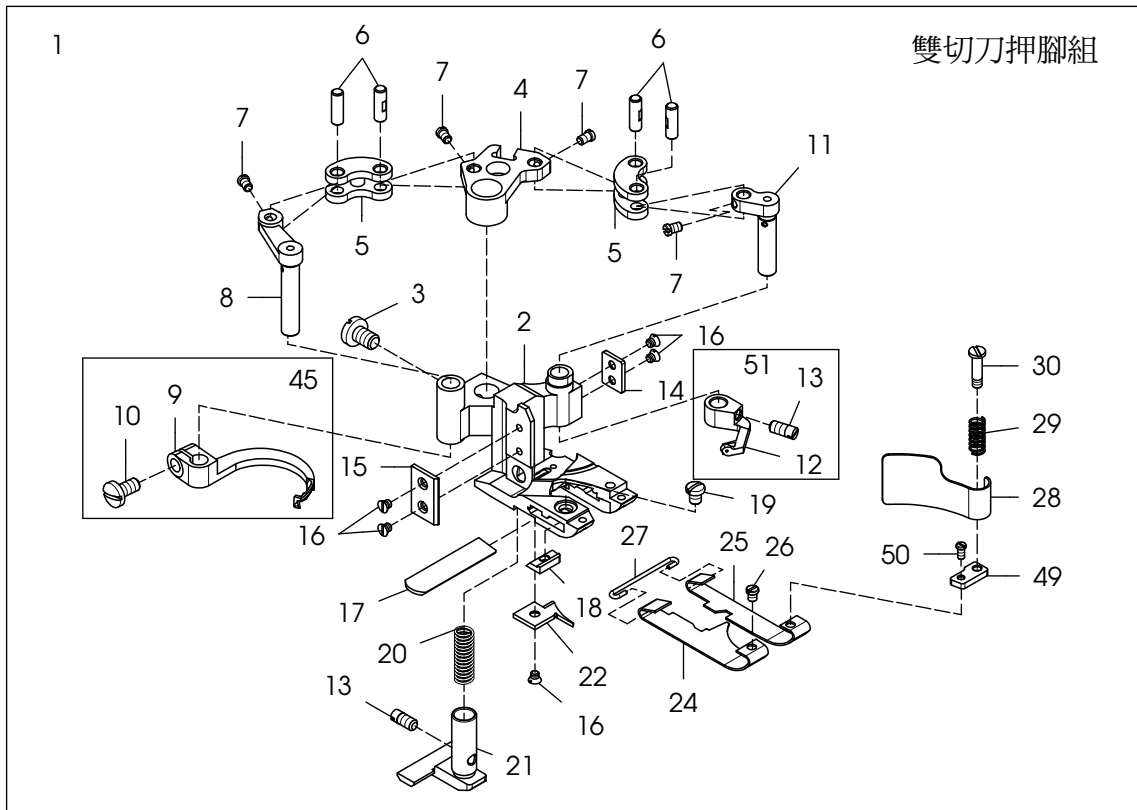
DOUBLE SIDE CUT PRESSER FOOT MECHANISM

雙切押腳機構

18

Ref.	Parts			Amt.
No.	No.	Description	品 名	Req.
1	★ 07401801	Double Side Cut Presser Foot C. Set.....	雙切押具組.....	1
2	★ 07401802	Double Side Cut Presser Foot.....	雙切押腳.....	1
3	07400615	Screw (11/64-40X6.3).....	螺絲.....	1
4	07400616	Carrier/Hook Driving Segment.....	上勾針驅動扇形片.....	1
5	07400617	Carrier/Hook Driving Lever Link.....	上勾針驅動連桿.....	2
6	07400618	Link Pin.....	連桿插銷.....	4
7	07400619	Screw (3/32-56X3.3).....	螺絲.....	4
8	07400620	Thread Hook Driving Lever.....	勾針驅動槓桿.....	1
9	07400621	Top Cover Thread Hook.....	上飾線過線勾.....	1
10	07400622	Screw (9/64-40X6.8).....	螺絲.....	1
11	07400623	Top Cover Thread Carrier Driving Lever...	上飾線托架驅動槓桿.....	1
12	07400624	Top Cover Thread Carrier.....	上飾線托架.....	1
13	07400338	Screw (1/8-44X5).....	螺絲.....	2
14	07400626	Presser Foot Attach Piece (Right).....	押腳連接片(右).....	1
15	07400627	Presser Foot Attach Piece (Left).....	押腳連接片(左).....	1
16	07400628	Screw(3/32-56X1.5).....	螺絲.....	5
17	07400629	Lower Knife.....	下切刀片.....	1
18	07400630	Lower Knife Clamp.....	下切刀夾板.....	1
19	07400631	Screw (1/8-44X3.5).....	螺絲.....	1
20	07400632	Yielding Section Spring.....	押具輔助座彈簧.....	1
21	★ 07401821	Yielding Section.....	押具輔助座.....	1
22	★ 07401822	Presser Foot Tongue.....	導布板.....	1
23	07401823	Screw (3/32-56X2).....	螺絲.....	1
24	★ 07401824	Presser Foot Spring Plate (Left).....	押具押板(左).....	1
25	★ 07401825	Presser Foot Spring Plate (Right).....	押具押板(右).....	1
26	07400637	Screw (3/32-56X2.6).....	螺絲.....	2
27	07400638	Spring Plate Holder.....	彈簧片固定座.....	1
28	07401828	Chip Guard.....	切角防護片.....	1
29	07400640	Chip Guard Spring.....	切角防護片彈簧.....	1
30	07400641	Screw (1/8-44X3.4).....	螺絲.....	1
31	★ 07401831	Lap Former Guide.....	導布器.....	1
32	07401832	Screw (3/32-56X3.5).....	螺絲.....	1
33	07401833	Screw (3/32-56X3.9).....	螺絲.....	1
34	07401834	Lap Former Guide Support.....	導布器座.....	1
35	07401835	Lap Former Guide Spring.....	導布器彈簧片.....	1
36	07401836	Lap Former Guide Plate (Left).....	導布器滑軌(左).....	1
37	07401837	Lap Former Guide Plate (Right).....	導布器滑軌(右).....	1
38	07400218	Screw (1/8-44X8).....	螺絲.....	8

★ 請參照附件 1【針距規格表】



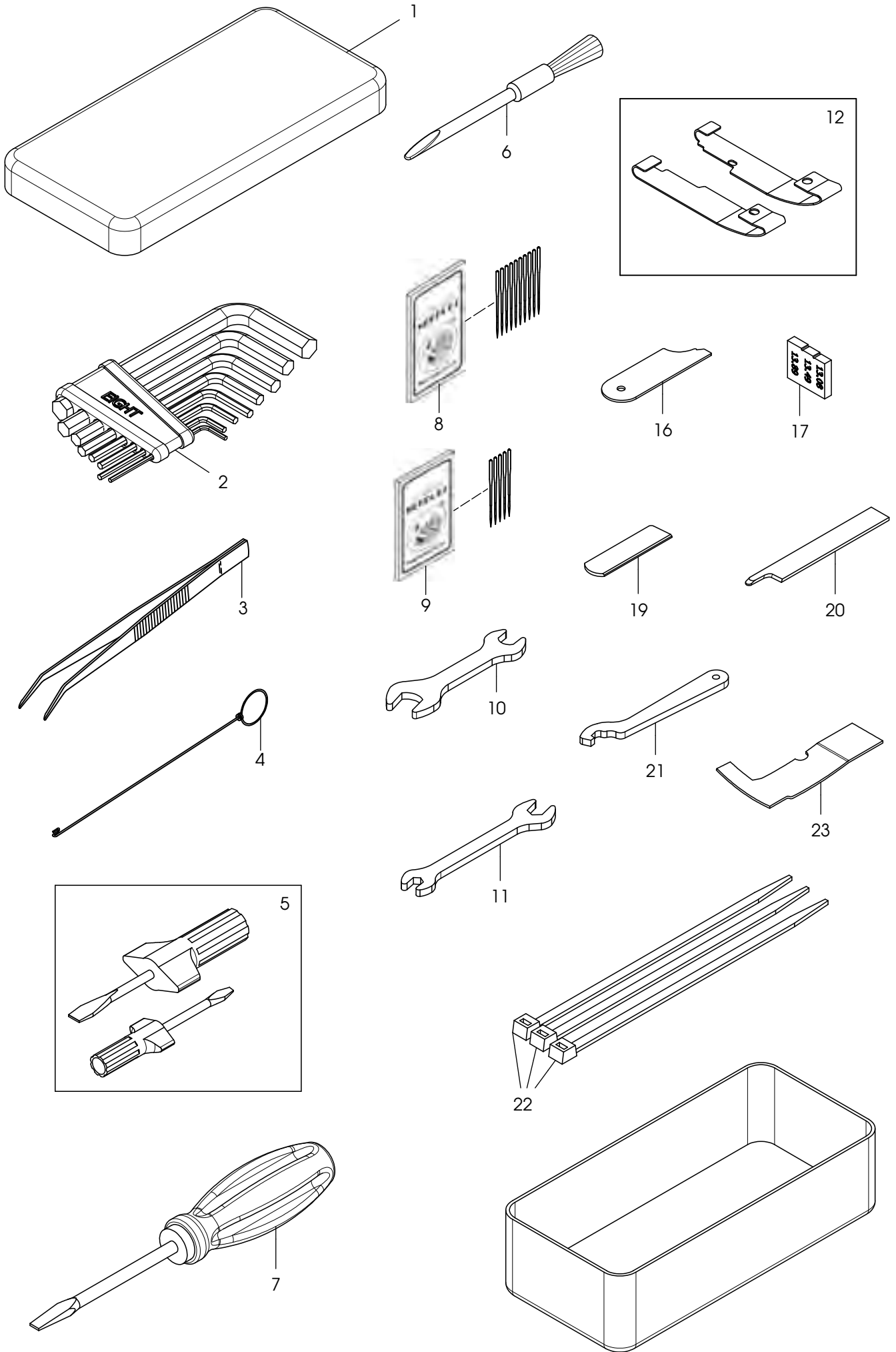
DOUBLE SIDE CUT PRESSER FOOT MECHANISM

雙切押腳機構

18

Ref.	Parts			Amt.
<u>No.</u>	<u>No.</u>	<u>Description</u>	<u>品 名</u>	<u>Req.</u>
39	07401839	Sewing Cylinder Cover (Upper).....	下巴蓋板.....	1
40	07400221	Screw (3/32-56X2.1).....	螺絲.....	1
41	★ 07401841	Main Feed Dog.....	雙切後送齒.....	1
42	★	Stitch Plate.....	雙切針板.....	1
43	07400220	Dust Defender (Upper).....	防塵蓋(上).....	1
44	07400217	Seal Gasket.....	止油墊片.....	1
45	07400646	Top Cover Thread Hook C.Set.....	上飾線勾針組(長).....	1
46	07400538	Screw (9/64-40X6.4).....	螺絲.....	3
47	★	Stitch Plate Tongue.....	針板舌.....	1
48	07400547	Screw (3/32-56X2).....	螺絲.....	1
49	07400649	Spacer.....	墊塊.....	1
50	07400650	Screw (3/32-56X4.3).....	螺絲.....	1
51	07400647	Top Cover Thread Carrier C.Set.....	上飾線勾針組(短).....	1
52	07401852	Stitch Plate C.Set.....	針板組.....	1
53	07401853	Lap Former Guide C.Set.....	導布組.....	1
54	07401854	Sewing Cylinder Cover (Upper) C.Set.....	下巴蓋板組.....	1

★ 請參照附件 1 【針距規格表】



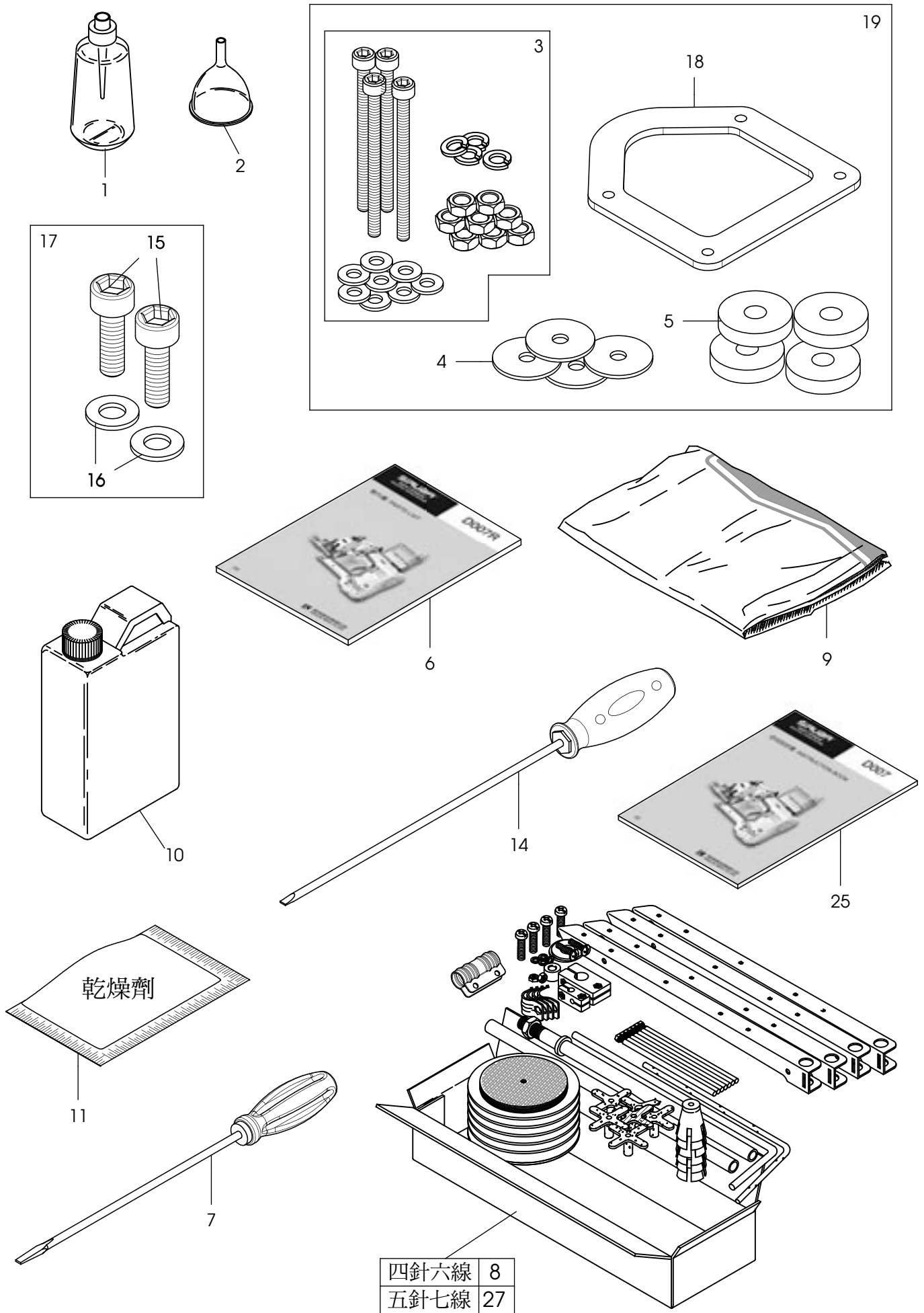
ATTACHMENT BOX

附件盒

19

Ref.	Parts			Amt.
No.	No.	Description	品名	Req.
1	07401901	Attachment Box.....	附件盒.....	1
2	07401902	Hexagonal Wrench C. Set.....	內六角板手組.....	1
3	07401903	Thread Tweezers.....	穿線夾.....	1
4	07401904	Threading Wire.....	穿線鐵絲.....	1
5	07401905	Screwdriver C. Set.....	螺絲起子組.....	1
6	07401906	Hairbrush.....	毛刷.....	1
7	07401907	Screwdriver.....	螺絲起子.....	1
8	★ 07400541	Needle.....	擊針.....	10
9	★ 07400542	Needle.....	假針.....	5
10	07401910	Wrench.....	板手.....	1
11	07401911	Wrench.....	板手.....	1
12	★	Presser Foot Spring Plate C. Set.....	押腳押具組(長).....	1
16	07401916	Looper Gauge.....	勾針前後調節板手.....	1
17	07401917	Needle Height Gauge.....	針棒高度調節器.....	1
19	★ 07400629	Lower Knife.....	下切刀片.....	1
20	★ 07400744	Upper Knife.....	上切刀片.....	1
21	07401921	Adjusting Gauge.....	調節板手.....	1
22	07401922	Ties.....	束線帶.....	3
23	07401923	Looper Gauges.....	下勾針平行定規.....	1

★ 請參照附件 1【針距規格表】



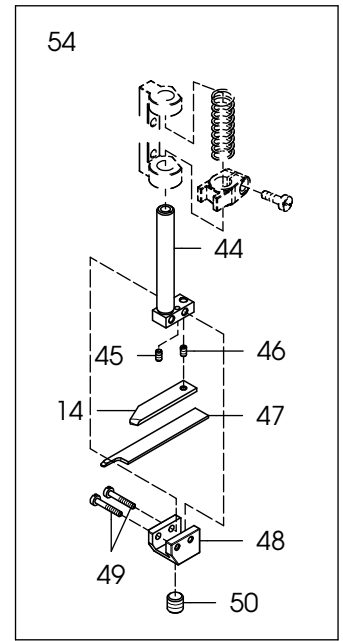
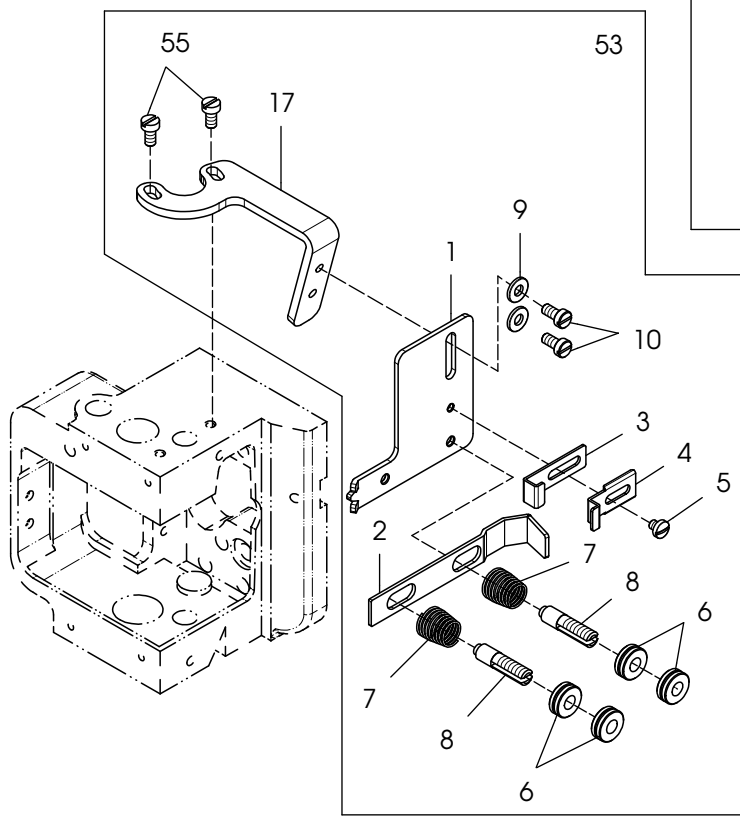
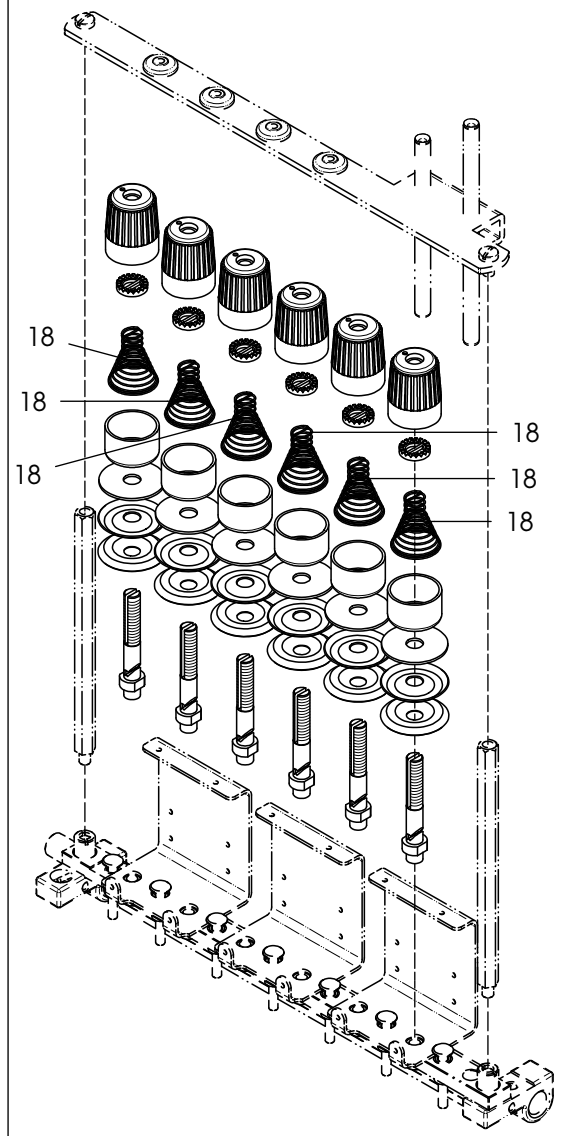
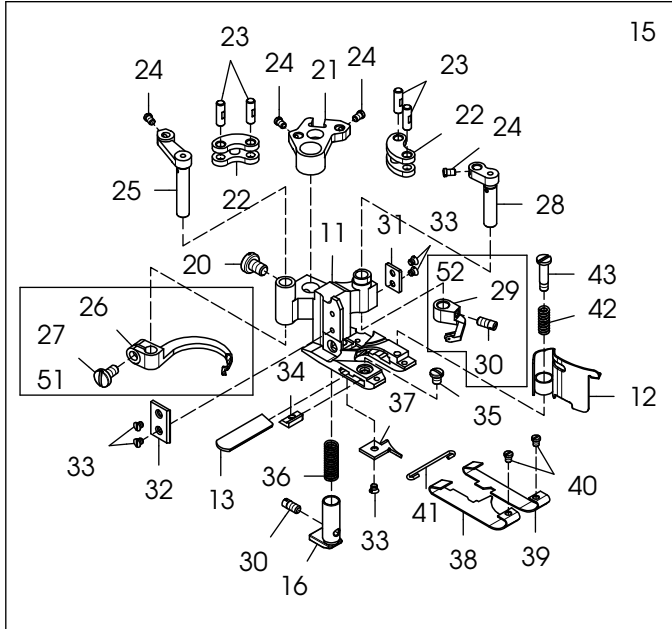
ACCESSORIES

附件箱

20

Ref.	Parts			Amt.
<u>No.</u>	<u>No.</u>	<u>Description</u>	<u>品 名</u>	<u>Req.</u>
1	07402001	Oiler.....	油壺.....	1
2	07402002	Funnel.....	漏斗.....	1
3	07402003	Screw C. Set.....	螺絲組.....	1
4	07402004	Washer.....	墊片.....	4
5	07402005	Rubber Cushion.....	避震膠墊.....	4
6	07402006	Spare Parts Book.....	零件圖.....	1
7	07402007	Screwdriver.....	螺絲起子.....	1
8	07402008	Thread Stand C. Set	線架組(四針六線).....	1
9	07402009	Machine Cover.....	防塵罩.....	1
10	07402010	Oil.....	潤滑油.....	1
11	07402011	Drier.....	乾燥劑.....	1
14	07402014	Screwdriver.....	螺絲起子.....	1
15	07402015	Screw(3/8-24X32).....	螺絲.....	2
16	07402016	Washer.....	墊片.....	2
17	07402017	Screw C. Set.....	螺絲組.....	1
18	07402018	Supporting Block Rubber Cushion.....	車台固定座避震膠墊.....	1
19	07402019	Supporting Block Rubber Cushion Set.....	車台固定座避震膠墊螺絲組.....	1
25	07402025	Instruction & Maintenance Book.....	使用說明&維修手冊.....	1
27	07402027	Thread Stand C. Set	線架組(五針七線).....	1

19



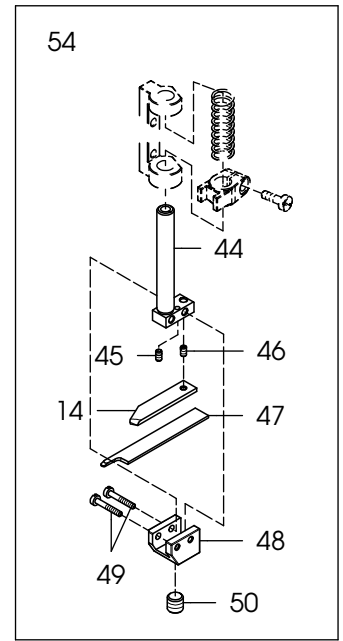
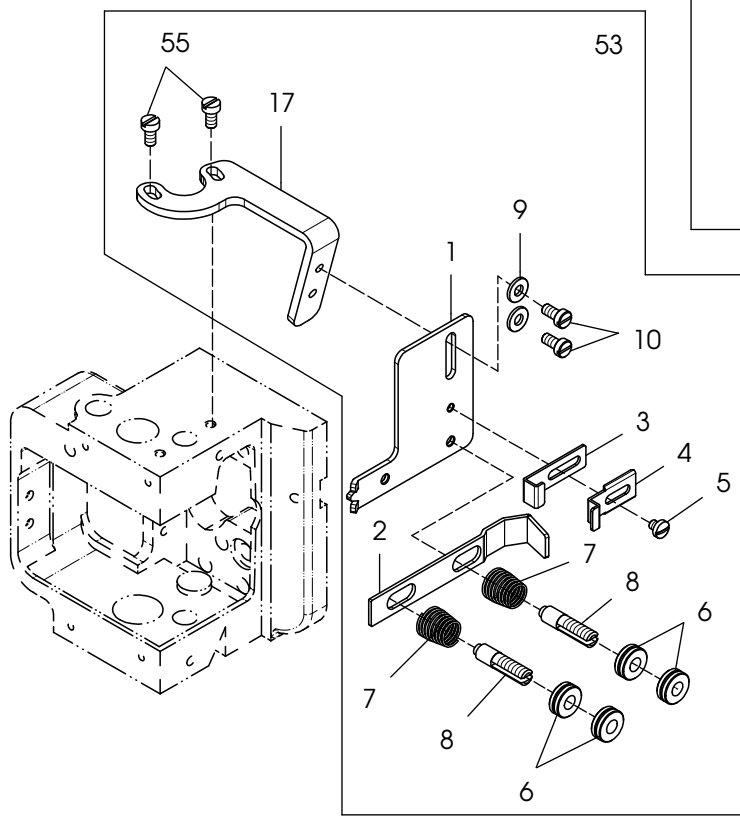
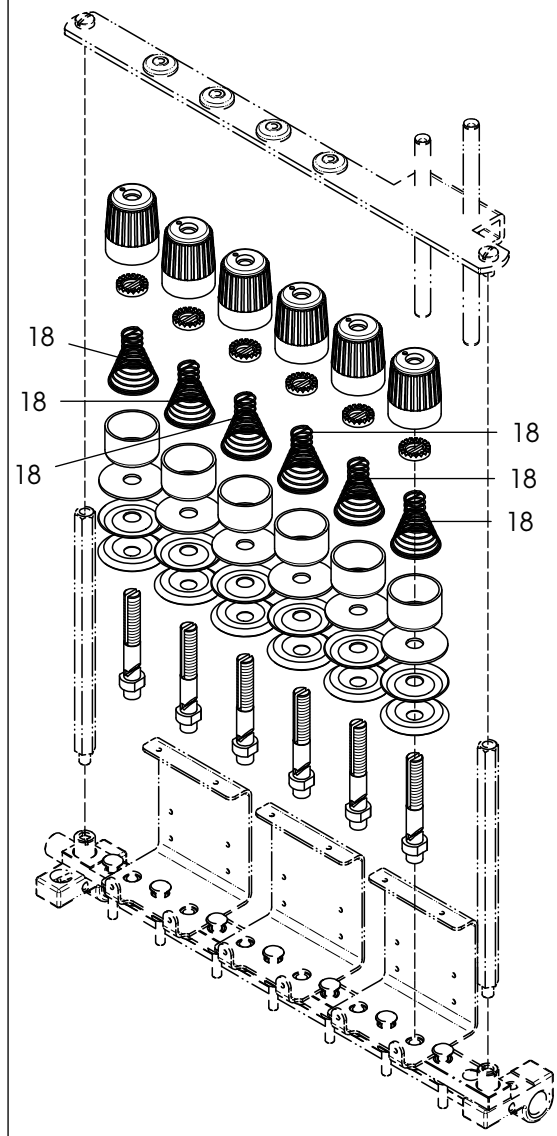
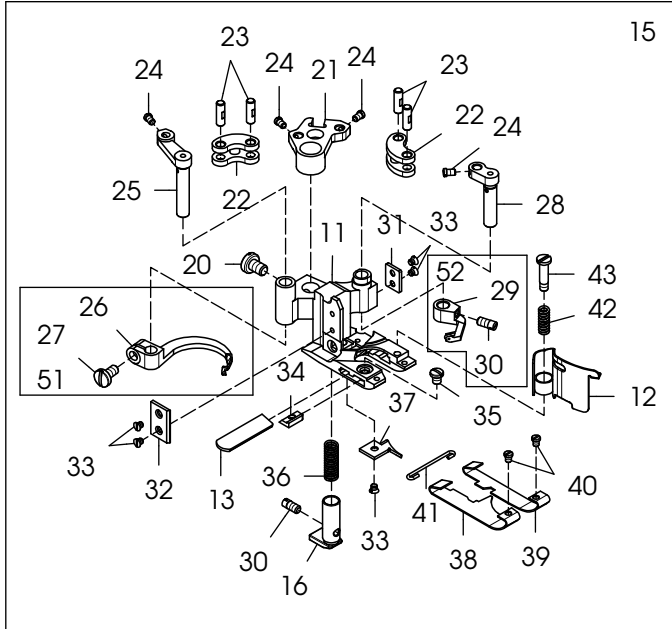
SELECT DEVICE(02-T1)

選擇配備(02-T1)-織帶 21

Ref.	Parts		Amt.
No.	No.	Description	品名
			Req.
1	07402101	Tape Holder.....	織帶固定座..... 1
2	07402102	Tape Tension Disc Clamp.....	張力調整夾板..... 1
3	07402103	Tape Thread Guard (Rear).....	過線架(後)..... 1
4	07402104	Tape Thread Guard (Front).....	過線架(前)..... 1
5	07870534	Screw (9/64"-40X4).....	螺絲..... 1
6	07402106	Spring Disc Nut.....	彈簧調整螺帽..... 4
7	07402107	Tape Spring.....	彈簧..... 2
8	07402108	Tension Post.....	張力彈簧支柱..... 2
9	07402109(WF03)	Wash.....	墊片..... 2
10	07400302	Screw (11/64"-40X7.8).....	螺絲..... 2
11	★ 07402111	Double Side Cut Presser Foot (02-T1).....	雙切織帶押腳..... 1
12	07402112	Chip Guard.....	切角防護片..... 1
13	★ 07402113	Lower Knife.....	下切刀..... 1
14	07402114	Knife Support.....	上切刀支架..... 1
15	★ 07402115	Presser Foot C. Set.....	押具組..... 1
16	★ 07402116	Yielding Section.....	押具輔助座..... 1
17	07402117	Tape Control Bracket	織帶控制架..... 1
18	07400320	Top Cover Thread Tension Spring.....	上飾線張力彈簧..... 6
19	07402119	Tape Reel C.Set.....	織帶組..... 1
20	07400615	Screw (11/64-40X6.3).....	螺絲..... 1
21	07400616	Carrier/Hook Driving Segment.....	上勾針驅動扇形片..... 1
22	07400617	Carrier/Hook Driving Lever Link.....	上勾針驅動連桿..... 2
23	07400618	Link Pin.....	連桿插銷..... 4
24	07400619	Screw (3/32-56X3.3).....	螺絲..... 4
25	07400620	Thread Hook Driving Lever.....	勾針驅動槓桿..... 1
26	07400621	Top Cover Thread Hook.....	上飾線過線勾..... 1
27	07400622	Screw (9/64-40X6.8).....	螺絲..... 1
28	07400623	Top Cover Thread Carrier Driving Lever...	上飾線托架驅動槓桿..... 1
29	07400624	Top Cover Thread Carrier.....	上飾線托架..... 1
30	07400338	Screw (1/8-44X5).....	螺絲..... 2
31	07400626	Presser Foot Attach Piece (Right).....	押腳連接片(右)..... 1
32	07400627	Presser Foot Attach Piece (Left).....	押腳連接片(左)..... 1
33	07400628	Screw(3/32-56X1.5).....	螺絲..... 5
34	07400630	Lower Knife Clamp.....	下切刀夾板..... 1
35	07400631	Screw (1/8-44X3.5).....	螺絲..... 1
36	07400632	Yielding Section Spring.....	押具輔助座彈簧..... 1
37	★ 07401822	Presser Foot Tongue.....	導布板..... 1
38	★ 07401824	Presser Foot Spring Plate (Left).....	押具押板(左)..... 1
39	★ 07401825	Presser Foot Spring Plate (Right).....	押具押板(右)..... 1

★ 請參照附件 1【針距規格表】

19

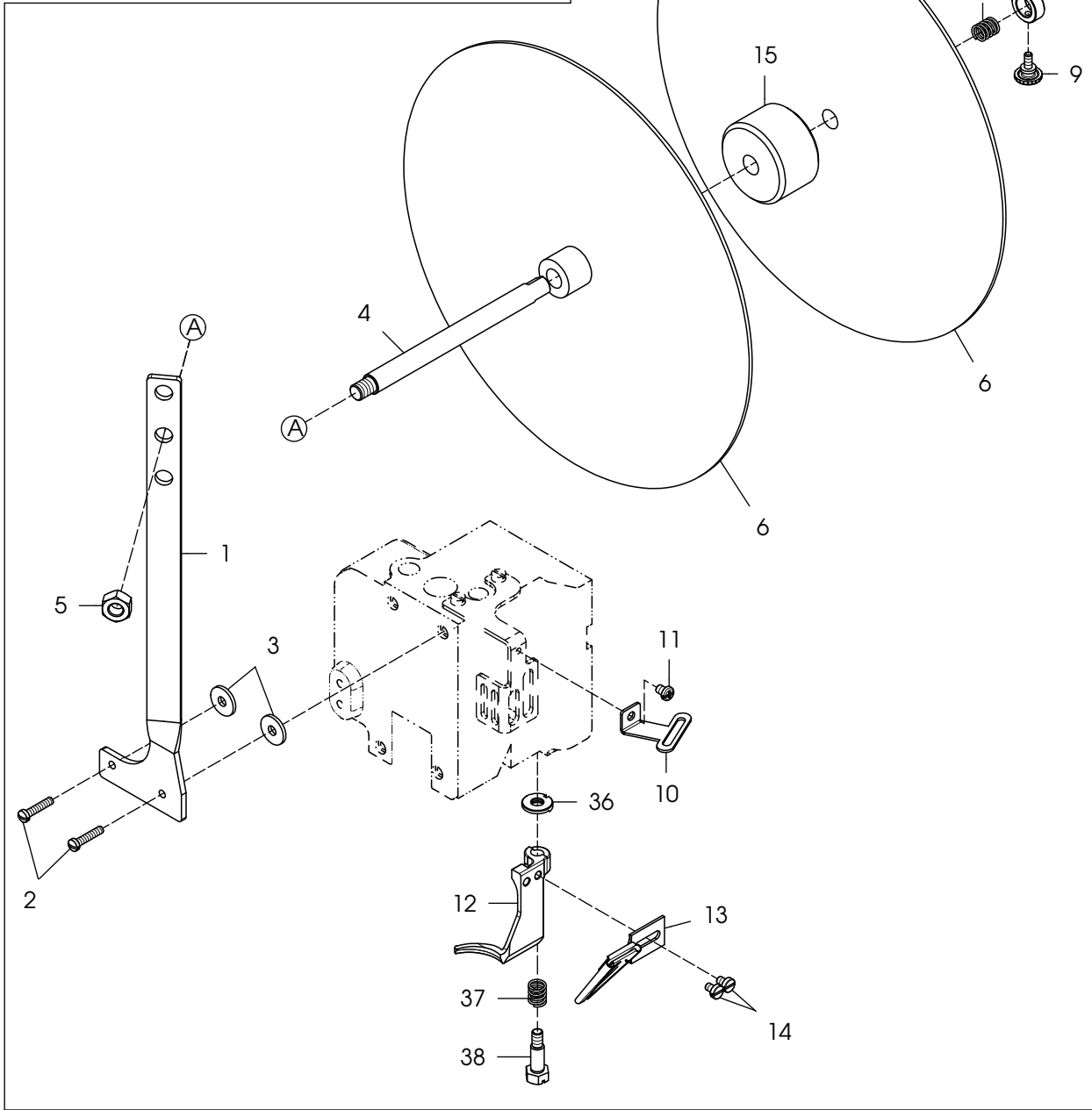
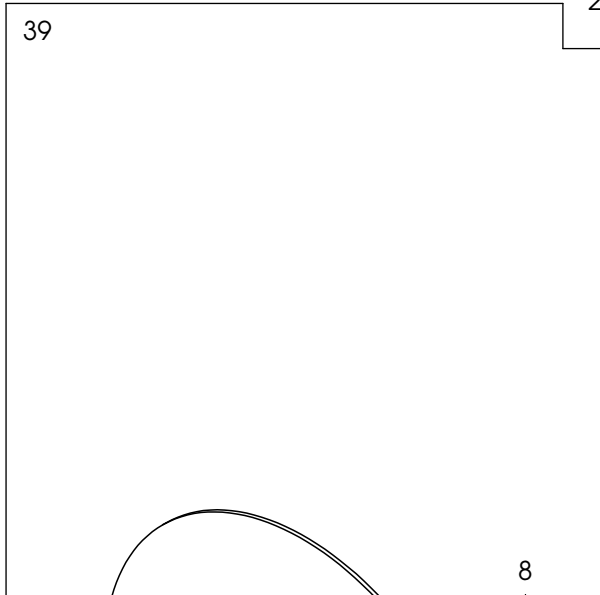
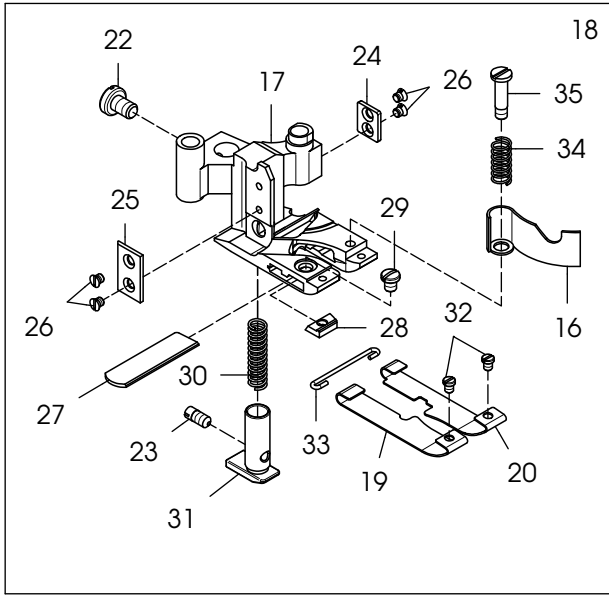


SELECT DEVICE(02-T1)

選擇配備(02-T1)-織帶 21

Ref.	Parts		Amt.
<u>No.</u>	<u>No.</u>	<u>Description</u>	<u>品 名</u>
			<u>Req.</u>
40	07400637	Screw (3/32-56X2.6).....	螺絲..... 2
41	07400638	Spring Plate Holder.....	彈簧片固定座..... 1
42	07400640	Chip Guard Spring.....	切角防護片彈簧..... 1
43	07400641	Screw (1/8-44X3.4).....	螺絲..... 1
44	07400740	Knife Holder Shank.....	上切刀固定座柄..... 1
45	07400741	Screw (3/32-56X3.8).....	螺絲..... 1
46	07400743	Screw (3/32-56X1.2).....	螺絲..... 1
47	★ 07400744	Upper Knife.....	上切刀片..... 1
48	07400745	Knife Holder.....	上刀片固定座..... 1
49	07400746	Screw (3/32-56X7).....	螺絲..... 2
50	07400530	Screw (1/4-40X6).....	螺絲..... 1
51	07400646	Top Cover Thread Hook C.Set.....	上飾線勾針組(長)..... 1
52	07400647	Top Cover Thread Carrier C.Set.....	上飾線勾針組(短)..... 1
53	07402153	Tape Holder C.Set.....	織帶固定組..... 1
54	07402154	Knife Holder C.Set.....	上刀片固定座組..... 1
55	07400168	Screw (M4-0.7X8).....	螺絲..... 2

★ 請參照附件 1 【針距規格表】

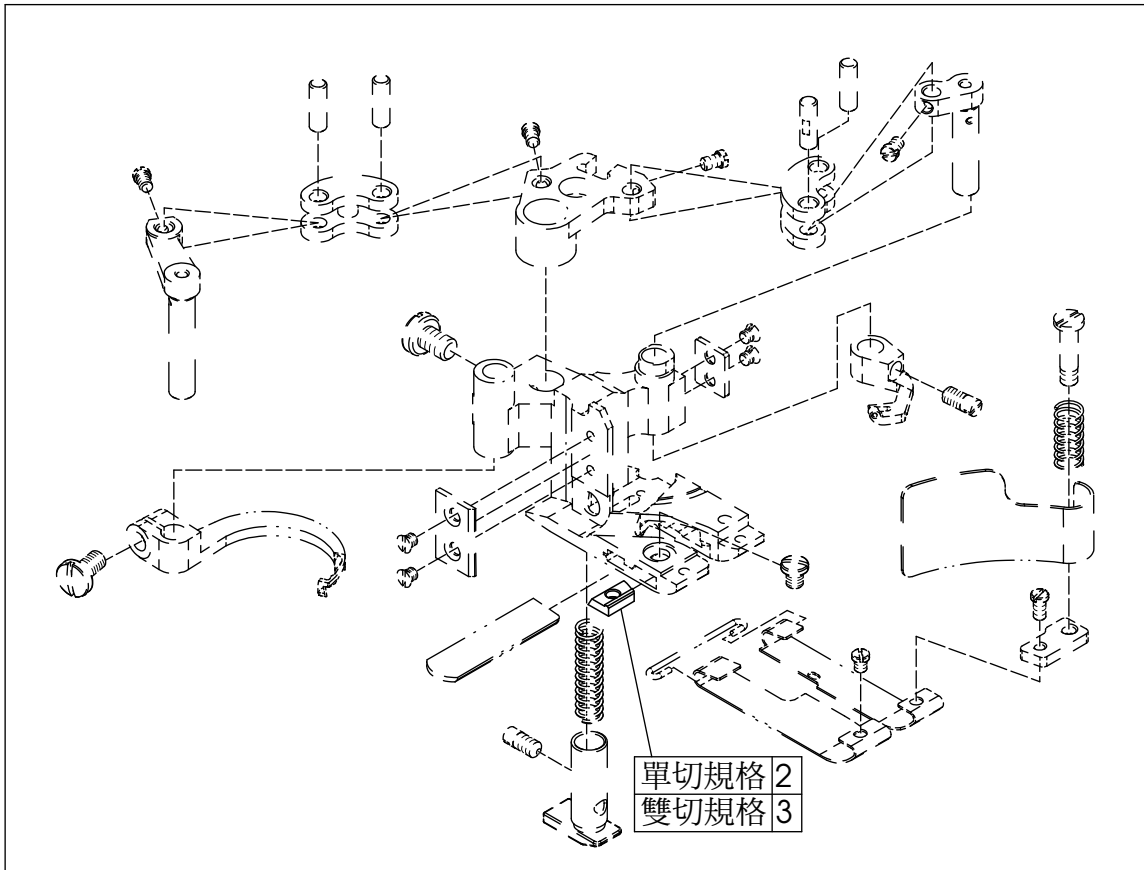
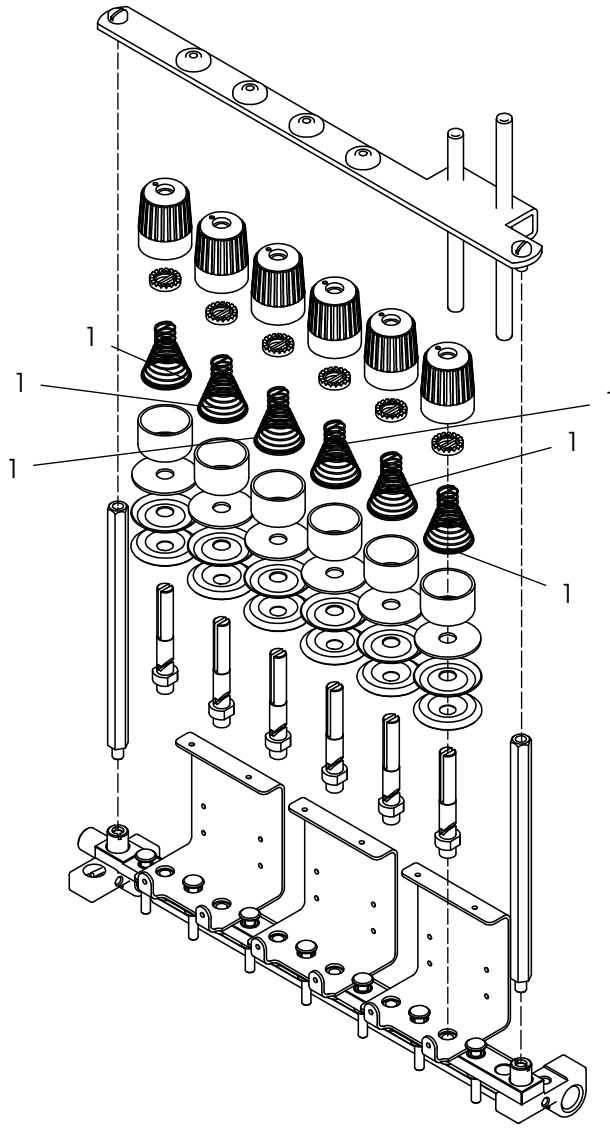


SELECT DEVICE(01-T2)

選擇配備(01-T2)-貼條 22

Ref.	Parts			Amt.
No.	No.	Description	品名	Req.
1	07402201	Tape Reel Support.....	貼條架.....	1
2	07402202	Screw(9/64"-40 x 17).....	螺絲.....	2
3	07402203	Rubber Cushion.....	橡膠墊片.....	2
4	07402204	Tape Reel Shaft.....	貼條主軸.....	1
5	07402205	Nut.....	螺帽.....	1
6	07402206	Tape Reel.....	貼條盤.....	2
7	07402207	Tape Reel Spring.....	彈簧.....	1
8	07402208	Collar(10 x16 x 6mm).....	軸環.....	1
9	07402209	Screw(9/64"-40 x 7.9).....	螺絲.....	1
10	07402210	Tape Guide.....	織帶導引支架.....	1
11	07402211	Screw(M4-0.7 x 5).....	螺絲.....	1
12	07402212	Frame Chip Guard.....	導布蓋.....	1
13	07402213	Binder.....	包邊器(喇叭).....	1
14	07402214	Screw(9/64"-40 x 5).....	螺絲.....	2
15	07402215	Cushion Block.....	墊塊.....	1
16	07402216	Chip Guard.....	切角防護片.....	1
17	★ 07402217	One Side Cut Presser Foot (01-T2).....	單切貼條押腳.....	1
18	07402218	Presser Foot C. Set	押具組.....	1
19	★ 07402219	Presser Foot Spring Plate (Left).....	押具押板(左).....	1
20	★ 07402220	Presser Foot Spring Plate (Right).....	押具押板(右).....	1
21	07402221	Tape Reel C.Set.....	貼條組.....	1
22	07400615	Screw (11/64-40X6.3).....	螺絲.....	1
23	07400338	Screw (1/8-44X5).....	螺絲.....	2
24	07400626	Presser Foot Attach Piece (Right).....	押腳連接片(右).....	1
25	07400627	Presser Foot Attach Piece (Left).....	押腳連接片(左).....	1
26	07400628	Screw(3/32-56X1.5).....	螺絲.....	4
27	07400629	Lower Knife.....	下切刀片.....	1
28	07400630	Lower Knife Clamp.....	下切刀夾板.....	1
29	07400631	Screw (1/8-44X3.5).....	螺絲.....	1
30	07400632	Yielding Section Spring.....	押具輔助座彈簧.....	1
31	★ 07400633	Yielding Section.....	押具輔助座.....	1
32	07400637	Screw (3/32-56X2.6).....	螺絲.....	2
33	07400638	Spring Plate Holder.....	彈簧片固定座.....	1
34	07400640	Chip Guard Spring.....	切角防護片彈簧.....	1
35	07400641	Screw (1/8-44X3.4).....	螺絲.....	1
36	07400144	Frame Chip Guard Washer.....	導布蓋固定墊片.....	1
37	07400146	Frame Chip Guard Spring.....	導布蓋彈簧.....	1
38	07400147	Screw (M5-0.8X8.5).....	螺絲.....	1
39	07402239	Tape Reel Support C.Set.....	貼條組.....	1

★ 請參照附件 1【針距規格表】

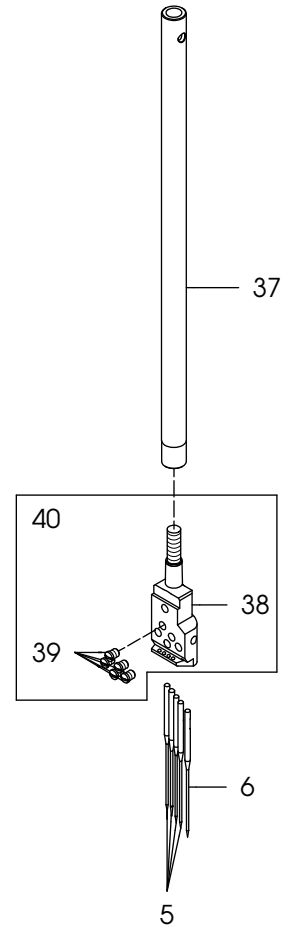
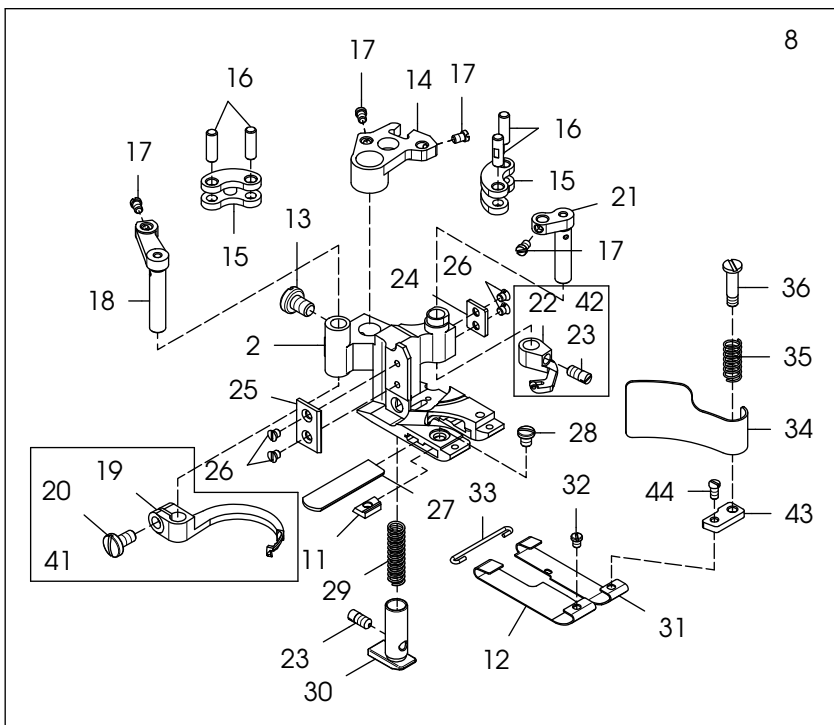
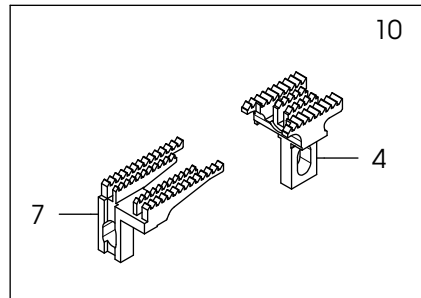
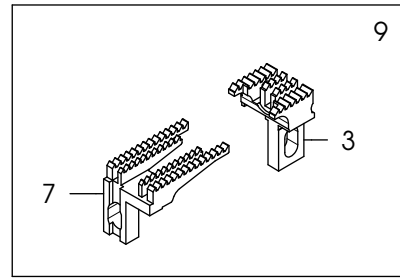
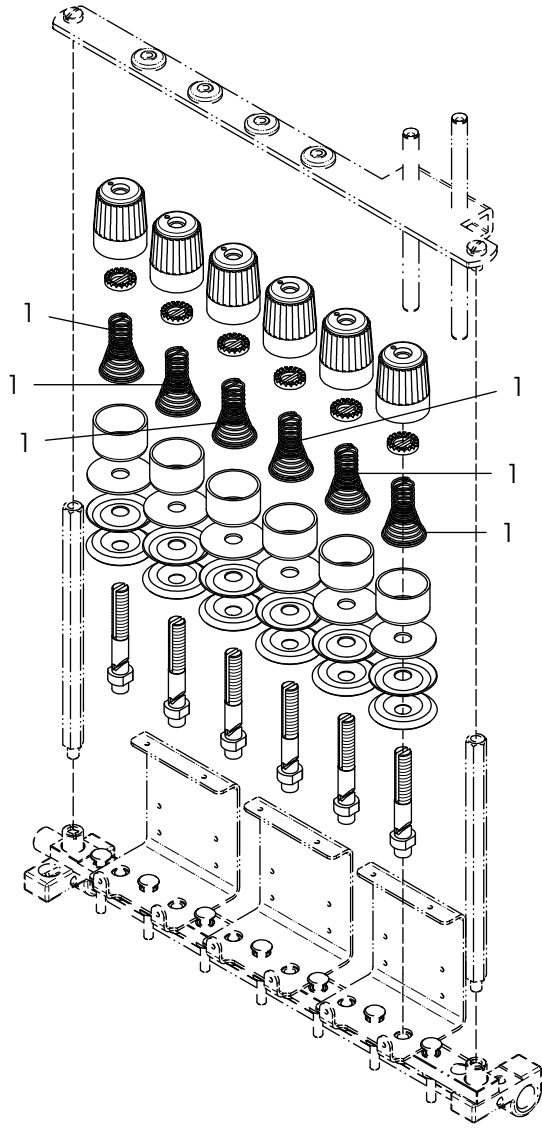


SELECT DEVICE(S)

選擇配備(S)-襪子

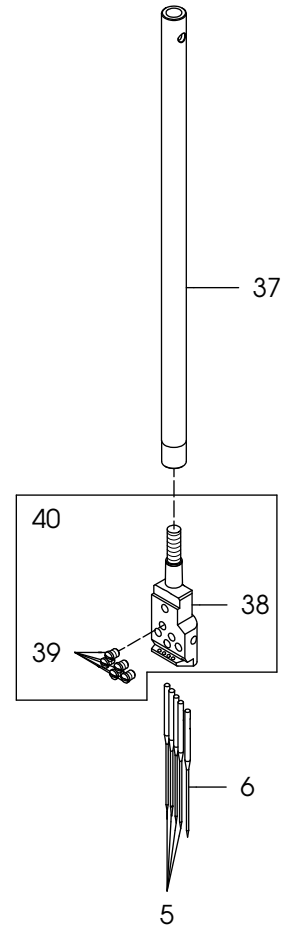
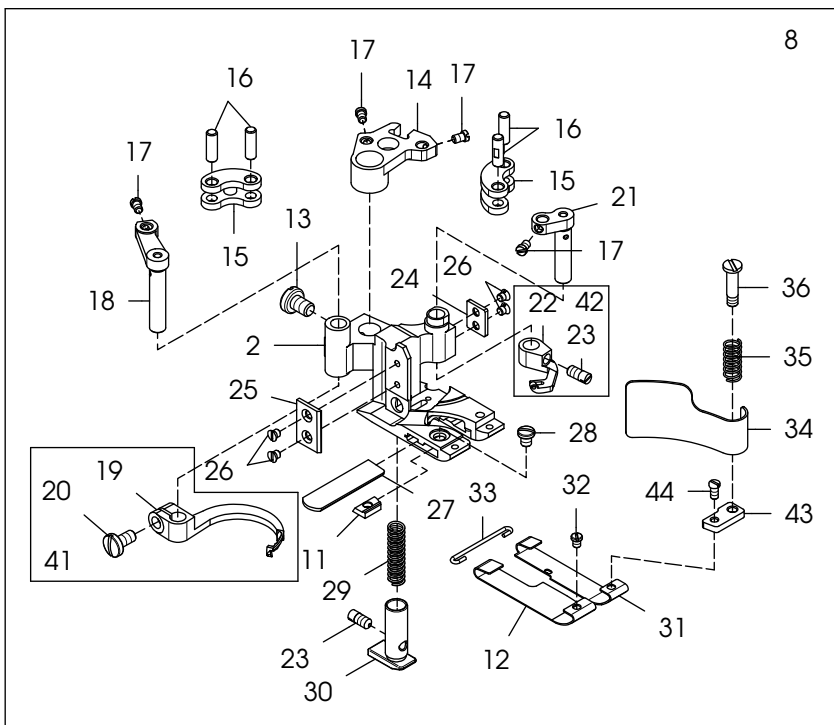
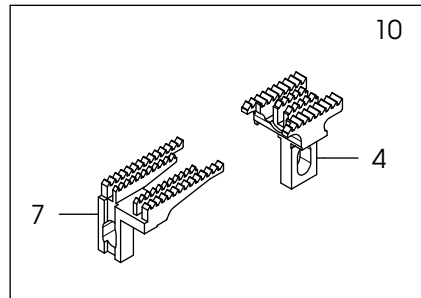
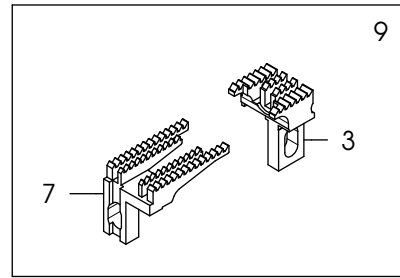
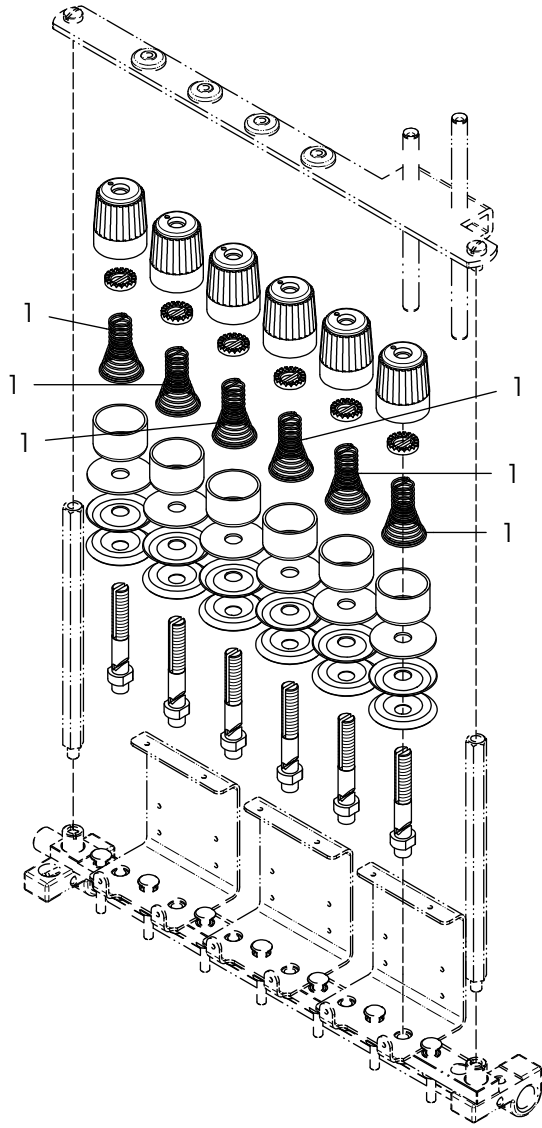
23

<u>Ref.</u>	<u>Parts</u>			<u>Amt.</u>
<u>No.</u>	<u>No.</u>	<u>Description</u>	<u>品名</u>	<u>Req.</u>
1	07400319	Top Cover Thread Tension Spring.....	上飾線張力彈簧.....	6
2	07402302	Lower Knife Clamp (One Side Cut)	下刀片夾板(單切).....	1
3	07400630	Lower Knife Clamp (Double Side Cut)....	下刀片夾板(雙切).....	1



Ref.	Parts			Amt.
No.	No.	Description	品 名	Req.
1	07870303	Top Cover Thread Tension Spring.....	上飾線張力彈簧.....	6
2	★ 07402402	Presser Foot (01)-452.460.....	專用押腳(01)-規格 452.460.	1
3	★ 07402403	Main Feed Dog (One Side Cut).....	後送齒(單切).....	1
4	★ 07402404	Main Feed Dog (Double Side Cut).....	後送齒(雙切).....	1
5	07402405	Needle.....	擊針.....	4
6	07402406	Retainer.....	假針.....	1
7	★ 07402407	Differential Feed Dog.....	前送齒.....	1
8	★ 07402408	Presser Foot C. Set	專用押具組.....	1
9	07402409	One Side Cut Feed Dog C. Set.....	單切送齒組.....	1
10	07402410	Double Side Cut Feed Dog C. Set.....	雙切送齒組.....	1
11	★ 07402411	Lower Knife Clamp.....	下切刀夾板.....	1
12	★ 07402412	Presser Foot Spring Plate (Left).....	押具押板(左).....	1
13	07400615	Screw (11/64-40X6.3).....	螺絲.....	1
14	07400616	Carrier/Hook Driving Segment.....	上勾針驅動扇形片.....	1
15	07400617	Carrier/Hook Driving Lever Link.....	上勾針驅動連桿.....	2
16	07400618	Link Pin.....	連桿插銷.....	4
17	07400619	Screw (3/32-56X3.3).....	螺絲.....	4
18	07400620	Thread Hook Driving Lever.....	勾針驅動槓桿.....	1
19	07400621	Top Cover Thread Hook.....	上飾線過線勾.....	1
20	07400622	Screw (9/64-40X6.8).....	螺絲.....	1
21	07400623	Top Cover Thread Carrier Driving Lever... ..	上飾線托架驅動槓桿.....	1
22	07400624	Top Cover Thread Carrier.....	上飾線托架.....	1
23	07400338	Screw (1/8-44X5).....	螺絲.....	2
24	07400626	Presser Foot Attach Piece (Right).....	押腳連接片(右).....	1
25	07400627	Presser Foot Attach Piece (Left).....	押腳連接片(左).....	1
26	07400628	Screw(3/32-56X1.5).....	螺絲.....	4
27	07400629	Lower Knife.....	下切刀片.....	1
28	07400631	Screw (1/8-44X3.5).....	螺絲.....	1
29	07400632	Yielding Section Spring.....	押具輔助座彈簧.....	1
30	★ 07400633	Yielding Section.....	押具輔助座.....	1
31	★ 07400636	Presser Foot Spring Plate (Right).....	押具押板(右).....	1
32	07400637	Screw (3/32-56X2.6).....	螺絲.....	1
33	07400638	Spring Plate Holder.....	彈簧片固定座.....	1
34	07400639	Chip Guard.....	切角防護片.....	1
35	07400640	Chip Guard Spring.....	切角防護片彈簧.....	1
36	07400641	Screw (1/8-44X3.4).....	螺絲.....	1
37	07400539	Needle Bar.....	針柱.....	1
38	★	Needle Clamp.....	針錙.....	1
39	07400543	Screw (3/32-56X2.5).....	螺絲.....	5

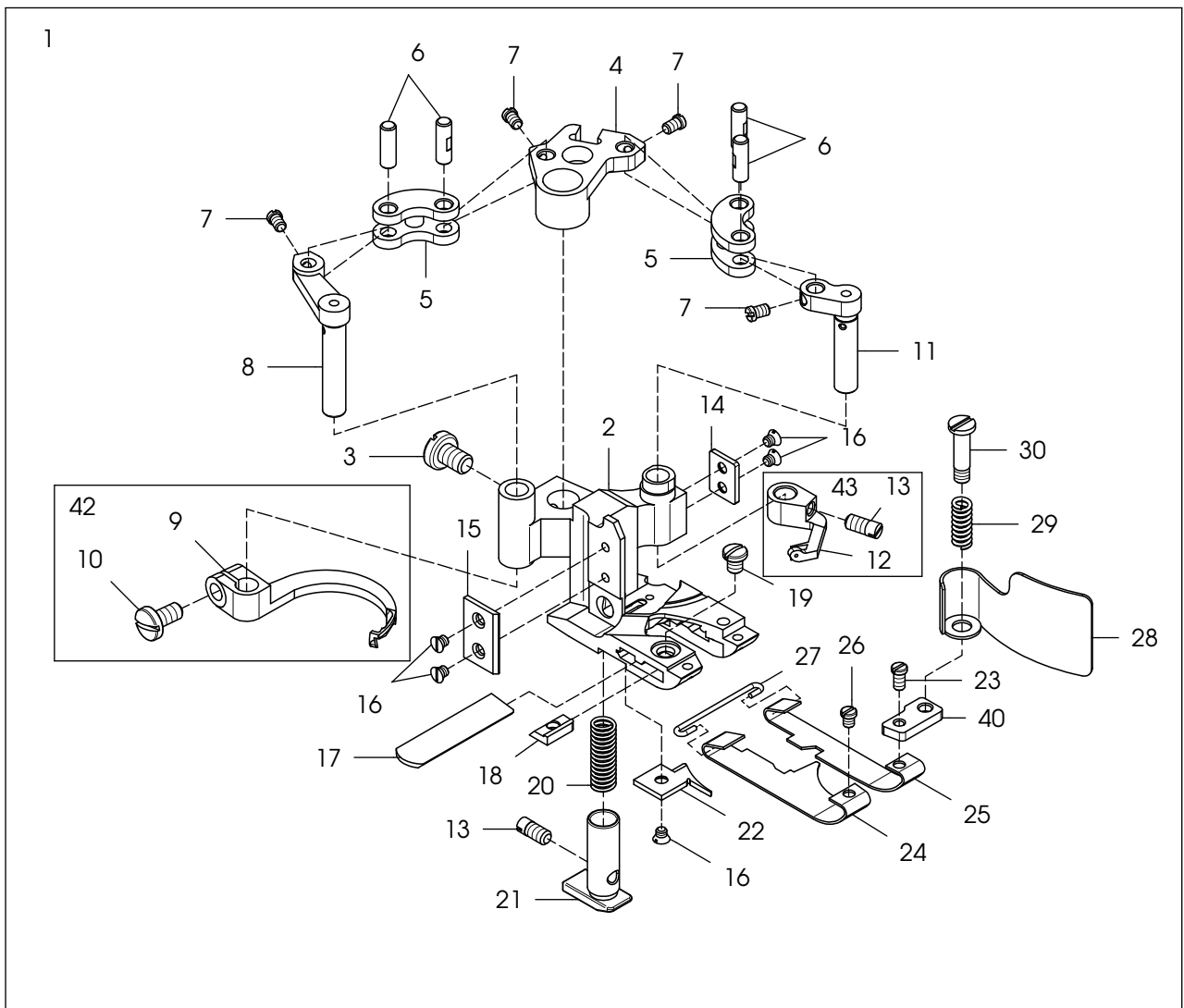
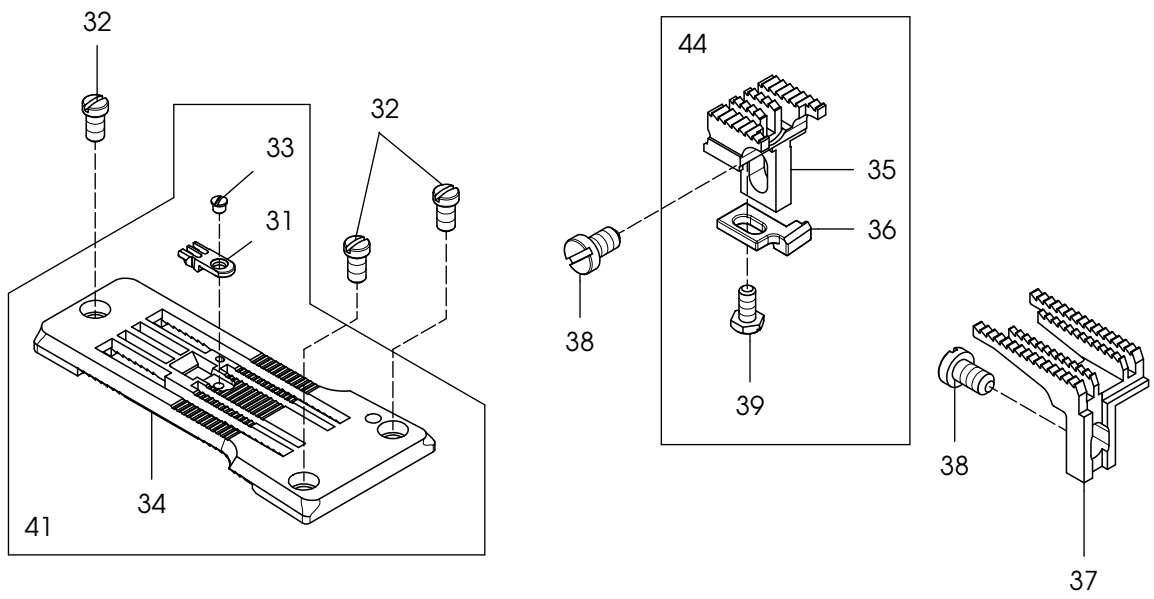
★請參照附件 1【針距規格表】



SELECT DEVICE(01-DS)-452.460

選擇配備(01-DS)-潛水衣 24

<u>Ref.</u>	<u>Parts</u>			<u>Amt.</u>
<u>No.</u>	<u>No.</u>	<u>Description</u>	<u>品 名</u>	<u>Req.</u>
40	07400531	Needle Clamp C.Set.....	針鉗組.....	1
41	07400646	Top Cover Thread Hook C.Set.....	上飾線勾針組(長).....	1
42	07400647	Top Cover Thread Carrier C.Set.....	上飾線勾針組(短).....	1
43	07400649	Spacer.....	墊塊.....	1
44	07400650	Screw (3/32-56X4.3).....	螺絲.....	1

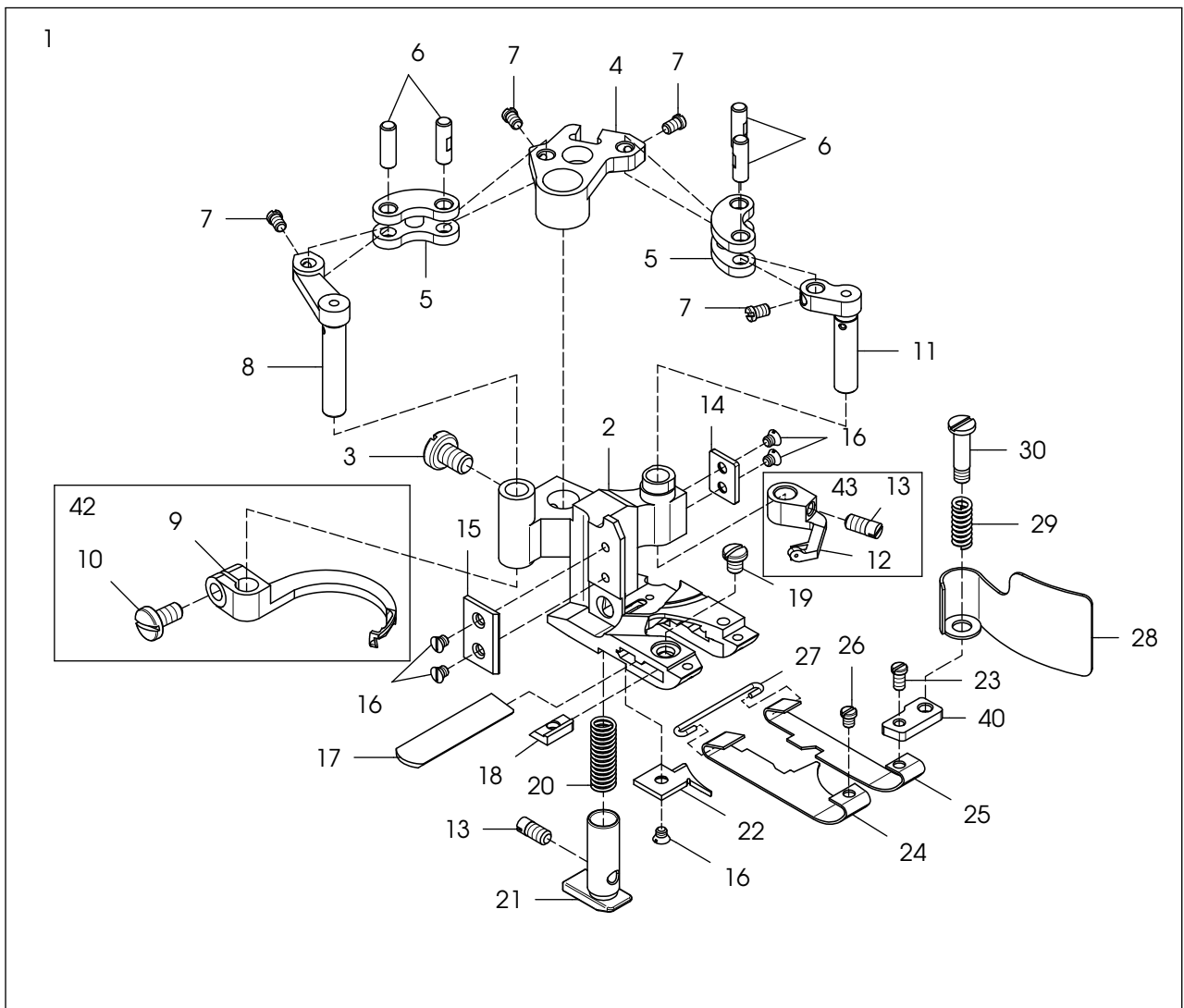
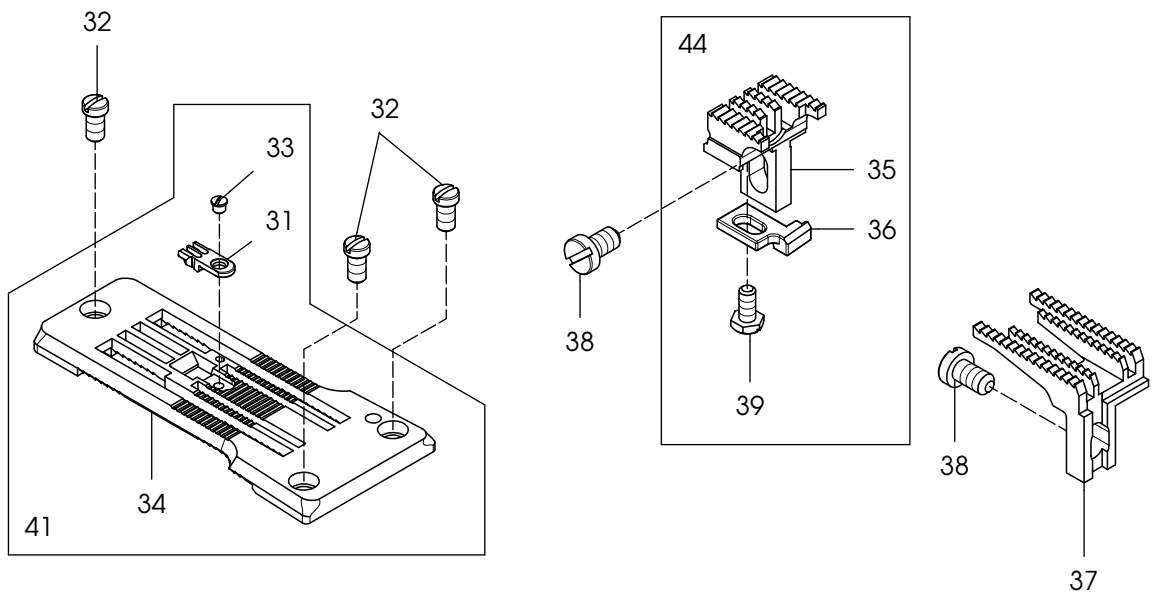


SELECT DEVICE(02R)

選擇配備(02R)-弧狀車縫 25

Ref.	Parts			Amt.
No.	No.	Description	品名	Req.
1	★ 07402501	Double Side Cut Presser Foot C. Set.....	雙切押具組.....	1
2	★ 07401802	Double Side Cut Presser Foot.....	雙切押腳.....	1
3	07400615	Screw (11/64-40X6.3).....	螺絲.....	1
4	07400616	Carrier/Hook Driving Segment.....	上勾針驅動扇形片.....	1
5	07400617	Carrier/Hook Driving Lever Link.....	上勾針驅動連桿.....	2
6	07400618	Link Pin.....	連桿插銷.....	4
7	07400619	Screw (3/32-56X3.3).....	螺絲.....	4
8	07400620	Thread Hook Driving Lever.....	勾針驅動槓桿.....	1
9	07400621	Top Cover Thread Hook.....	上飾線過線勾.....	1
10	07400622	Screw (9/64-40X6.8).....	螺絲.....	1
11	07400623	Top Cover Thread Carrier Driving Lever...	上飾線托架驅動槓桿.....	1
12	07400624	Top Cover Thread Carrier.....	上飾線托架.....	1
13	07400338	Screw (1/8-44X5).....	螺絲.....	2
14	07400626	Presser Foot Attach Piece (Right).....	押腳連接片(右).....	1
15	07400627	Presser Foot Attach Piece (Left).....	押腳連接片(左).....	1
16	07400628	Screw(3/32-56X1.5).....	螺絲.....	5
17	07400629	Lower Knife.....	下切刀片.....	1
18	07400630	Lower Knife Clamp.....	下切刀夾板.....	1
19	07400631	Screw (1/8-44X3.5).....	螺絲.....	1
20	07400632	Yielding Section Spring.....	押具輔助座彈簧.....	1
21	★ 07402521	Yielding Section.....	押具輔助座.....	1
22	★ 07401822	Presser Foot Tongue.....	導布板.....	1
23	07400650	Screw (3/32-56X4.3).....	螺絲.....	1
24	★ 07401824	Presser Foot Spring Plate (Left).....	押具押板(左).....	1
25	★ 07401825	Presser Foot Spring Plate (Right).....	押具押板(右).....	1
26	07400637	Screw (3/32-56X2.6).....	螺絲.....	2
27	07400638	Spring Plate Holder.....	彈簧片固定座.....	1
28	07401828	Chip Guard.....	切角防護片.....	1
29	07400640	Chip Guard Spring.....	切角防護片彈簧.....	1
30	07400641	Screw (1/8-44X3.4).....	螺絲.....	1
31	★	Stitch Plate Tongue.....	針板舌.....	1
32	07400538	Screw (9/64-40X6.4).....	螺絲.....	3
33	07400547	Screw (3/32-56X2).....	螺絲.....	1
34	★	Stitch Plate (For Single Cutter Only).....	針板(限用單切).....	1
35	★ 07401008	Main Feed Dog (For Single Cutter Only)...	後送齒(限用單切).....	1
36	★ 07401010	Needle Guard(Rear).....	針檔(後).....	1
37	★ 07401007	Differential Feed Dog.....	前送齒.....	1
38	07400302	Screw (11/64-40X7.8).....	螺絲.....	2
39	07401011	Screw (1/8-44X4.8).....	螺絲.....	1

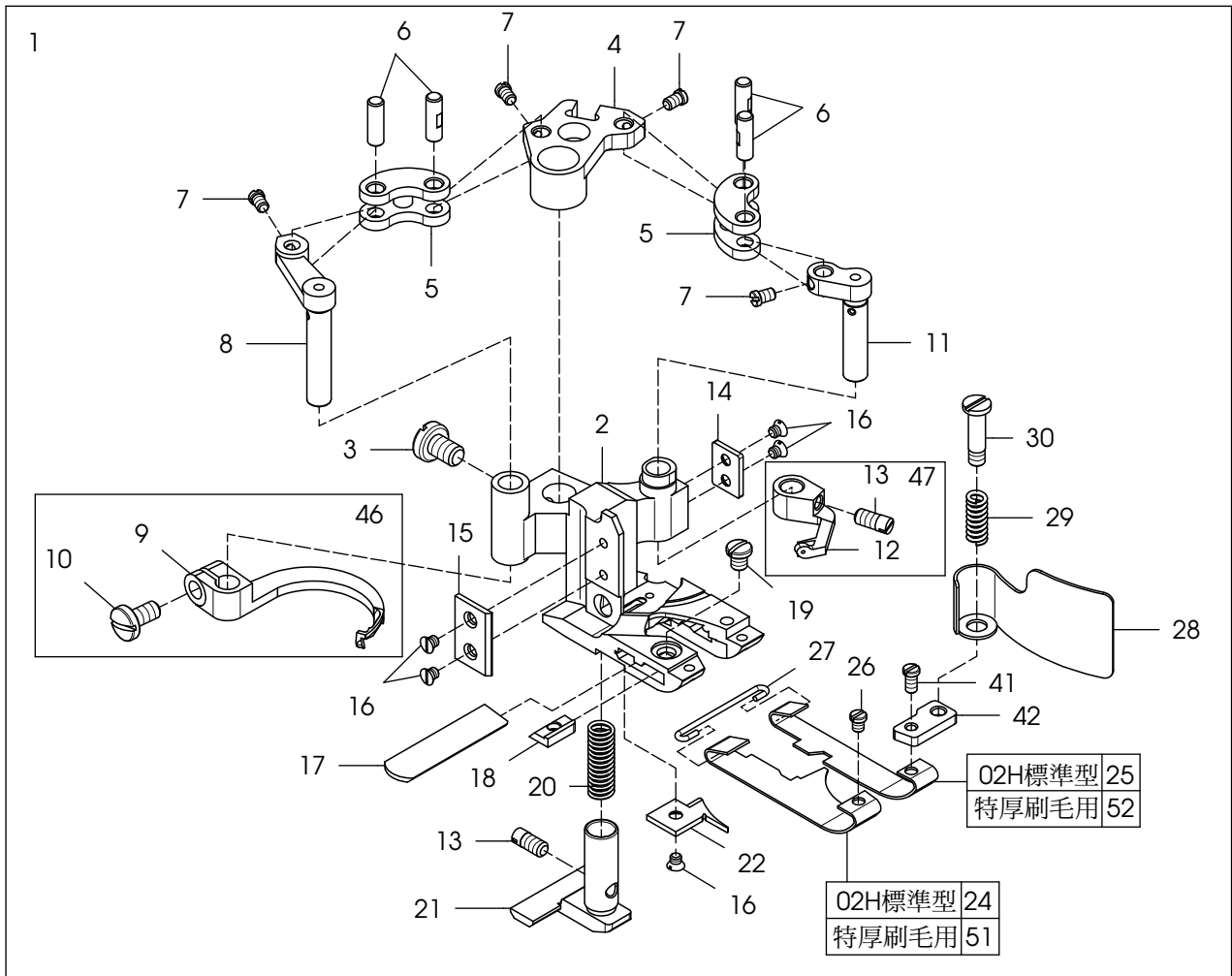
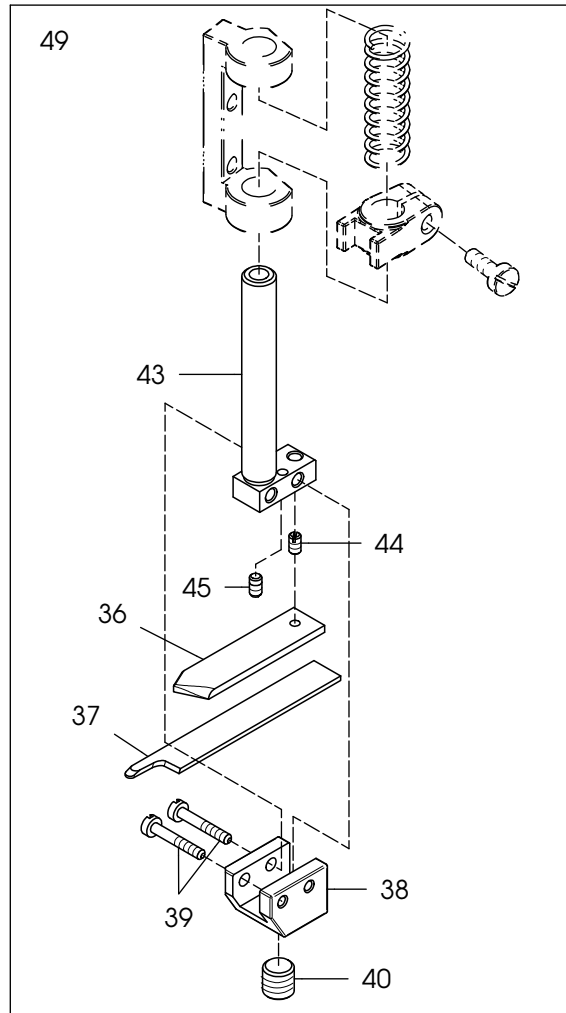
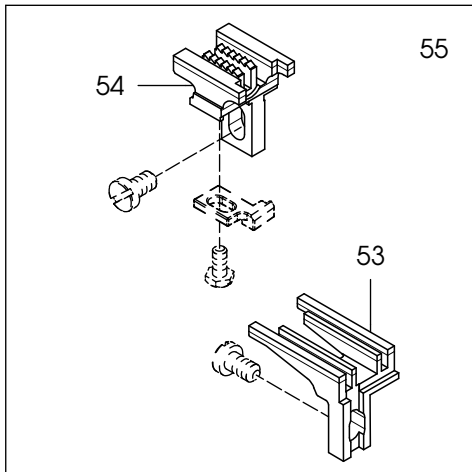
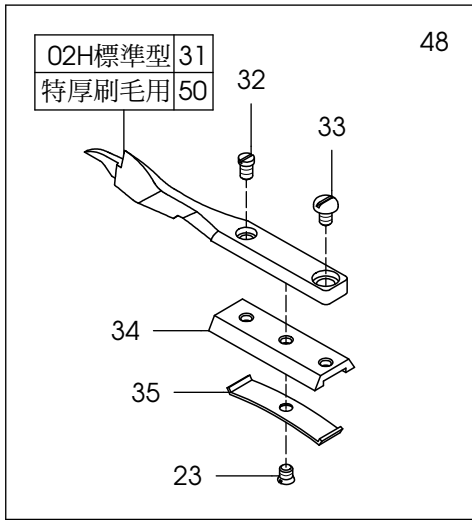
★ 請參照附件 1【針距規格表】



SELECT DEVICE(02R)

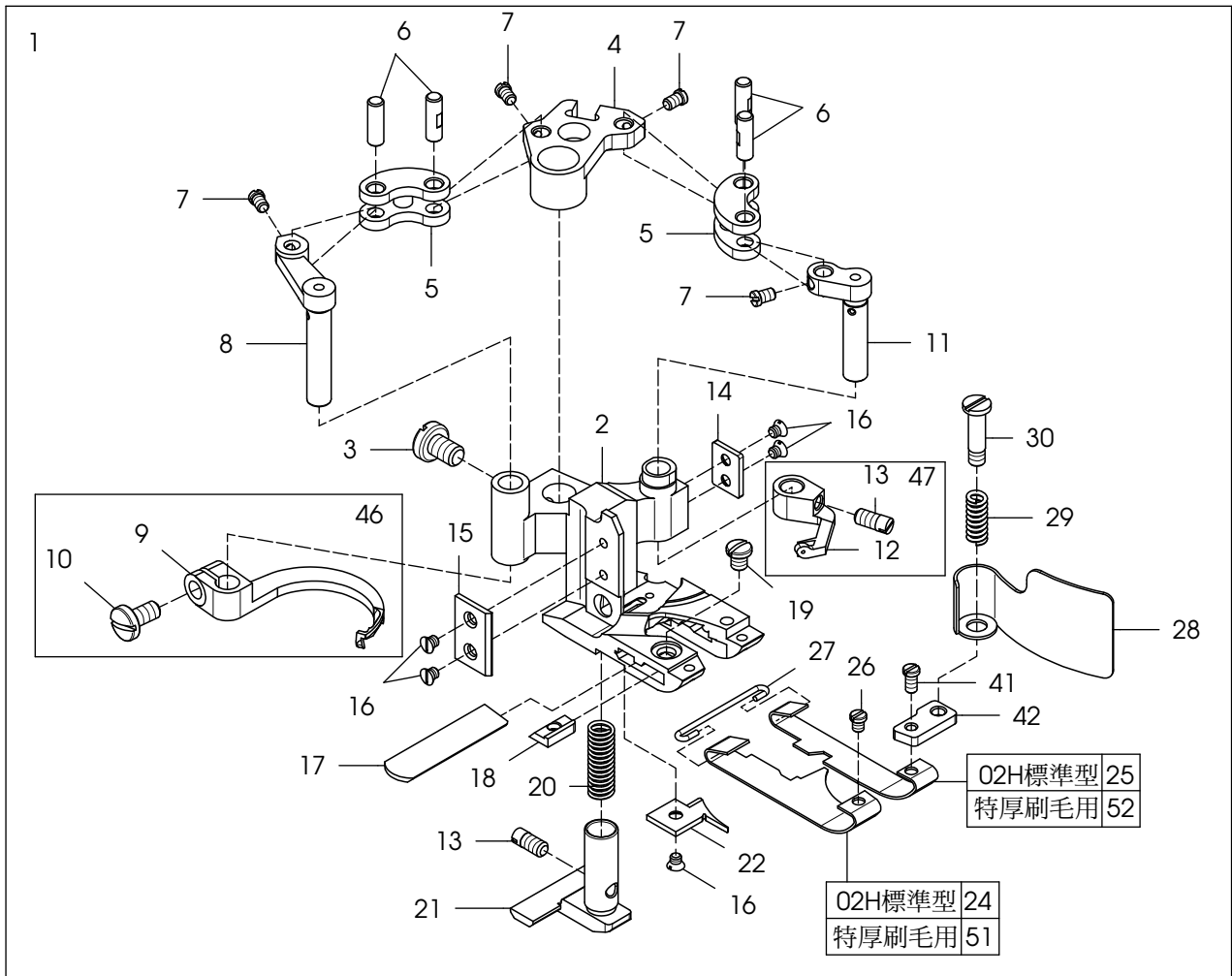
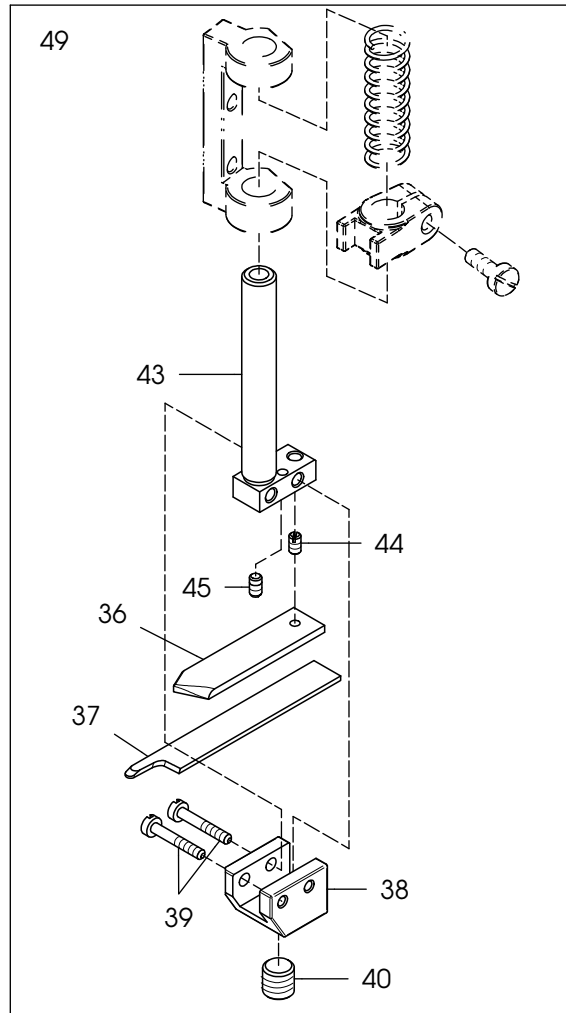
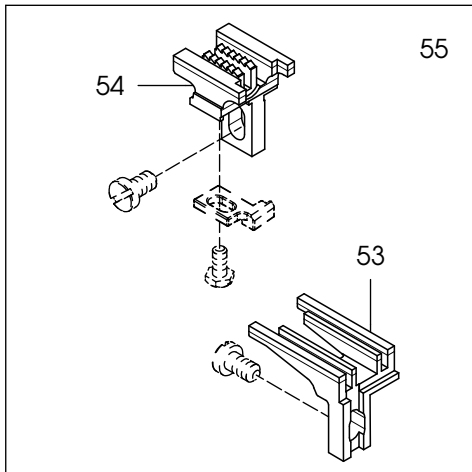
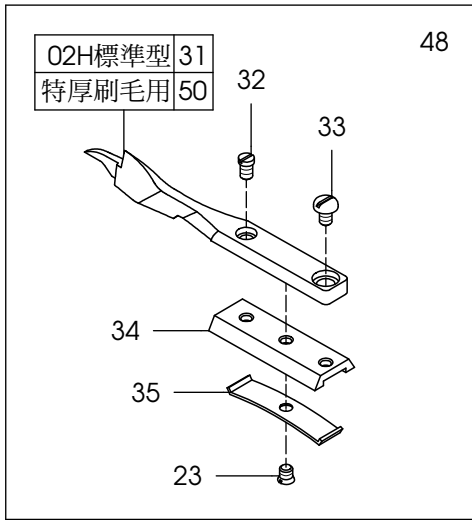
選擇配備(02R)-弧狀車縫 25

<u>Ref.</u>	<u>Parts</u>			<u>Amt.</u>
<u>No.</u>	<u>No.</u>	<u>Description</u>	<u>品 名</u>	<u>Req.</u>
40	07400649	Spacer.....	墊塊.....	1
41	07400532	Stitch Plate C.Set (For Single Cutter Only).	針板組(限用單切).....	1
42	07400646	Top Cover Thread Hook C.Set.....	上飾線勾針組(長).....	1
43	07400647	Top Cover Thread Carrier C.Set.....	上飾線勾針組(短).....	1
44	07401051	Main Feed Dog C.Set (For Single Cutter Only).	後送齒組(限用單切).....	1



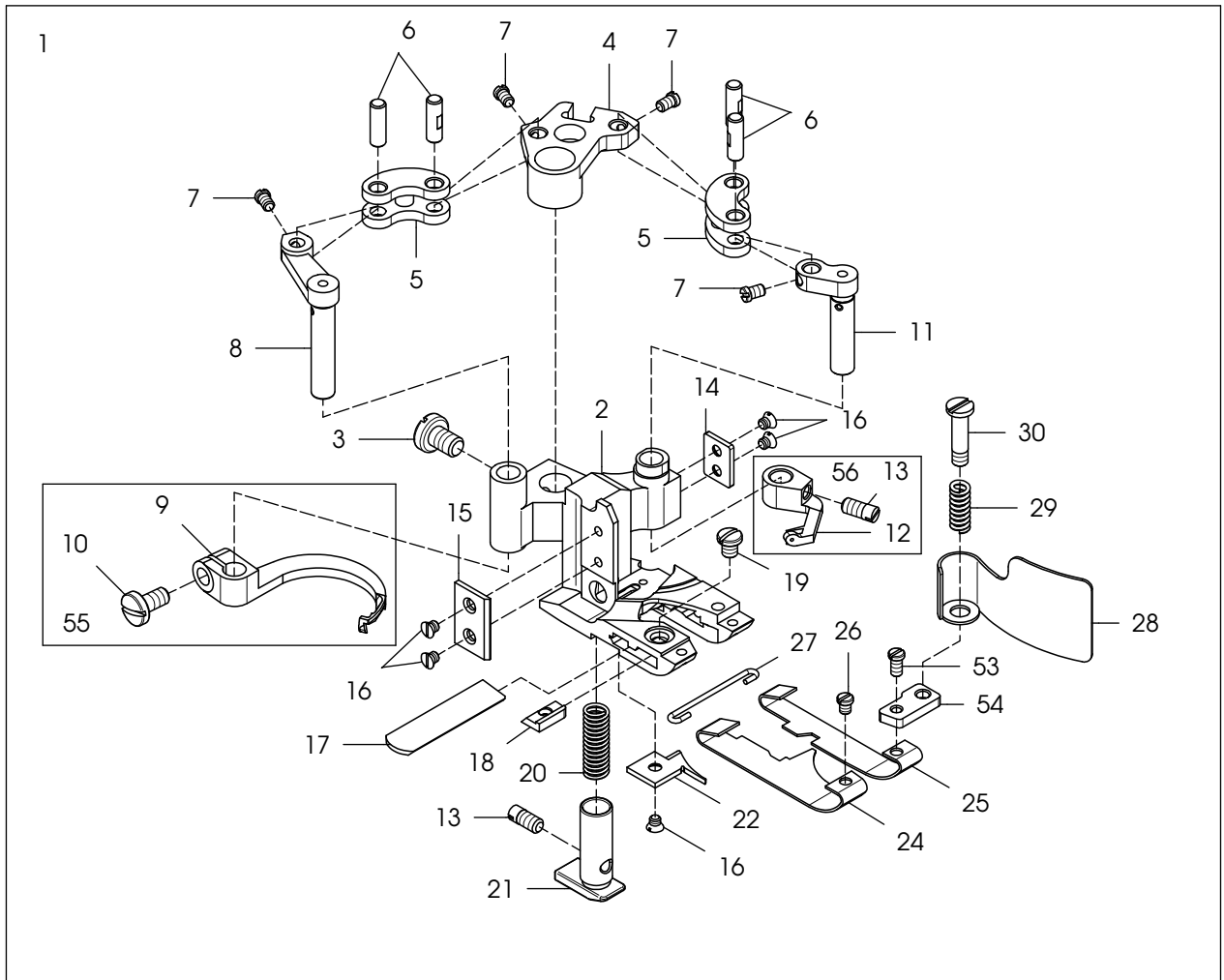
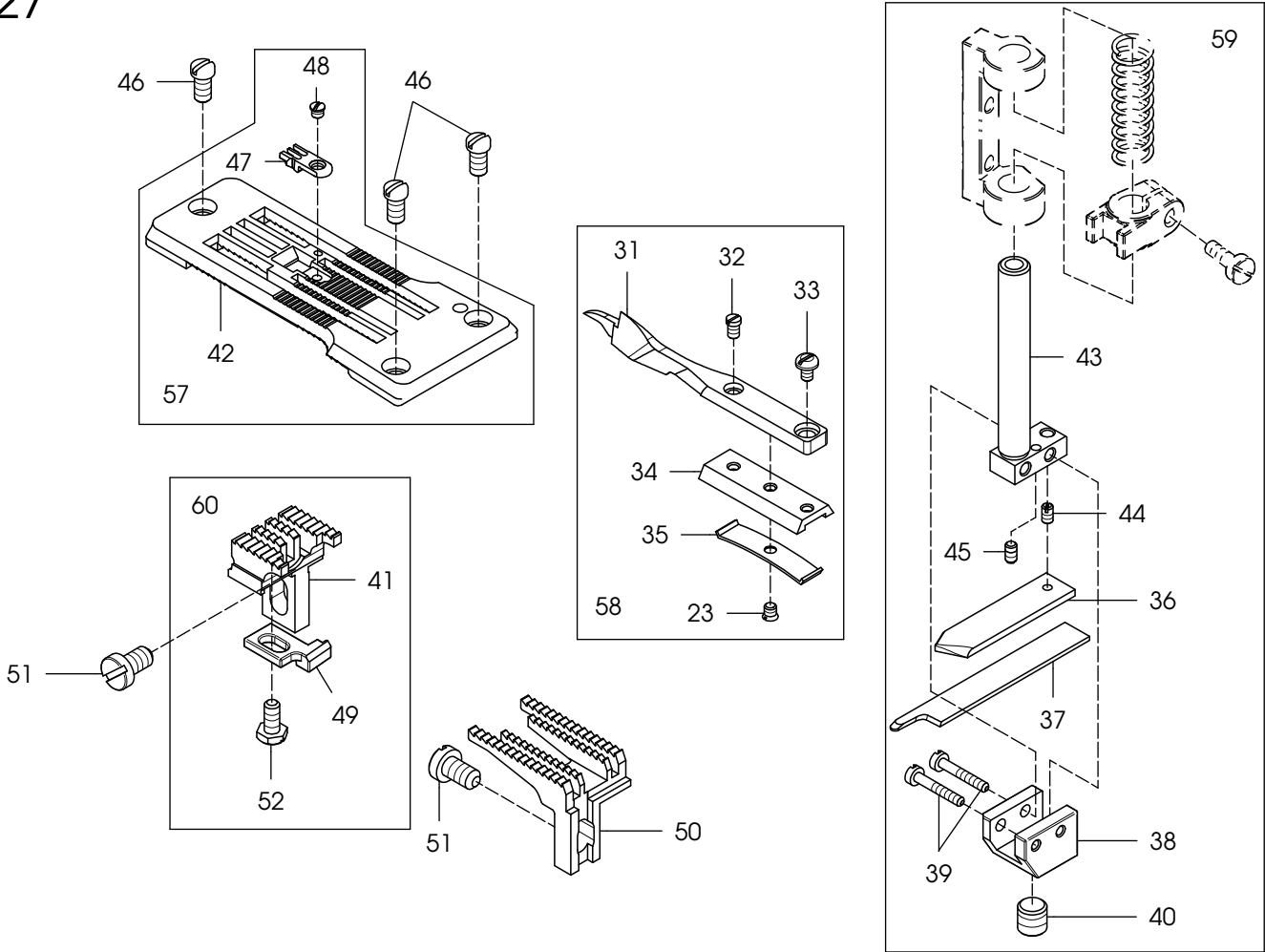
Ref.	Parts		Amt.
No.	No.	Description	品名
			Req.
1	★ 07402601	Double Side Cut Presser Foot C. Set.....	雙切押具組..... 1
2	★ 07402602	Double Side Cut Presser Foot (02H).....	雙切包縫過骨押腳..... 1
3	07400615	Screw (11/64-40X6.3).....	螺絲..... 1
4	07400616	Carrier/Hook Driving Segment.....	上勾針驅動扇形片..... 1
5	07400617	Carrier/Hook Driving Lever Link.....	上勾針驅動連桿..... 2
6	07400618	Link Pin.....	連桿插銷..... 4
7	07400619	Screw (3/32-56X3.3).....	螺絲..... 4
8	07400620	Thread Hook Driving Lever.....	勾針驅動槓桿..... 1
9	07400621	Top Cover Thread Hook.....	上飾線過線勾..... 1
10	07400622	Screw (9/64-40X6.8).....	螺絲..... 1
11	07400623	Top Cover Thread Carrier Driving Lever...	上飾線托架驅動槓桿..... 1
12	07400624	Top Cover Thread Carrier.....	上飾線托架..... 1
13	07400338	Screw (1/8-44X5).....	螺絲..... 2
14	07400626	Presser Foot Attach Piece (Right).....	押腳連接片(右)..... 1
15	07400627	Presser Foot Attach Piece (Left).....	押腳連接片(左)..... 1
16	07400628	Screw(3/32-56X1.5).....	螺絲..... 5
17	07402617	Lower Knife.....	下切刀片..... 1
18	07400630	Lower Knife Clamp.....	下切刀夾板..... 1
19	07400631	Screw (1/8-44X3.5).....	螺絲..... 1
20	07400632	Yielding Section Spring.....	押具輔助座彈簧..... 1
21	★ 07401821	Yielding Section.....	押具輔助座..... 1
22	★ 07401822	Presser Foot Tongue.....	導布板..... 1
23	07401823	Screw (3/32-56X2).....	螺絲..... 1
24	★ 07401824	Presser Foot Spring Plate (Left).....	押具押板(左)..... 1
25	★ 07401825	Presser Foot Spring Plate (Right).....	押具押板(右)..... 1
26	07400637	Screw (3/32-56X2.6).....	螺絲..... 2
27	07400638	Spring Plate Holder.....	彈簧片固定座..... 1
28	07401828	Chip Guard.....	切角防護片..... 1
29	07400640	Chip Guard Spring.....	切角防護片彈簧..... 1
30	07400641	Screw (1/8-44X3.4).....	螺絲..... 1
31	★ 07402631	Lap Former Guide.....	導布器..... 1
32	07401832	Screw (3/32-56X3.5).....	螺絲..... 1
33	07401833	Screw (3/32-56X3.9).....	螺絲..... 1
34	07401834	Lap Former Guide Support.....	導布器座..... 1
35	07401835	Lap Former Guide Spring.....	導布器彈簧片..... 1
36	07402636	Knife Support.....	上切刀支架..... 1
37	★ 07402637	Upper Knife.....	上刀片..... 1
38	07402638	Knife Holder.....	上刀片固定座..... 1
39	07402639	Screw (3/32-56X8).....	螺絲..... 2

★ 請參照附件 1【針距規格表】



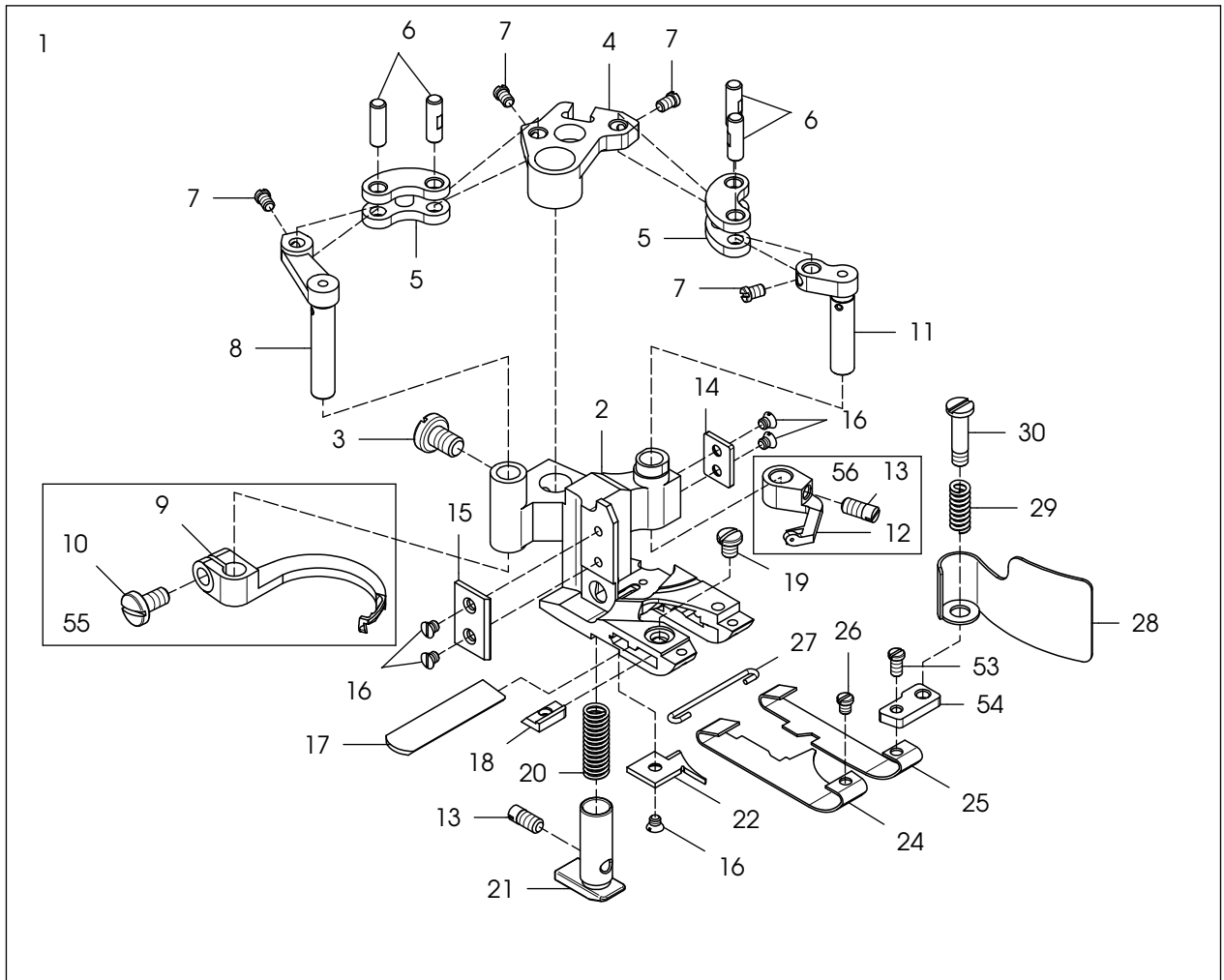
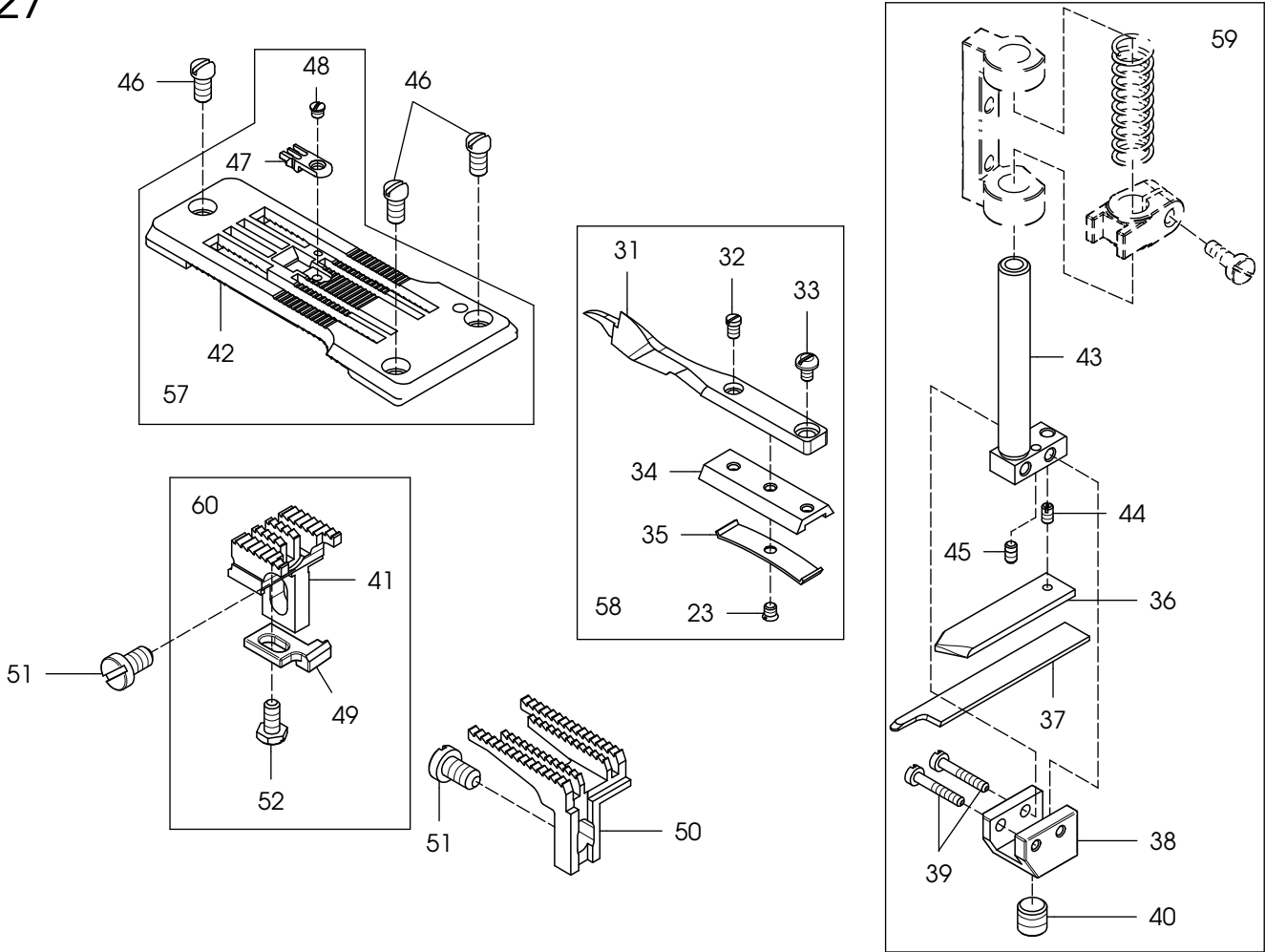
SELECT DEVICE(02H)

Ref.	Parts			Amt.
<u>No.</u>	<u>No.</u>	<u>Description</u>	<u>品 名</u>	<u>Req.</u>
40	07400747	Screw (1/4-40X6).....	螺絲.....	1
41	07400650	Screw (3/32-56X4.3).....	螺絲.....	1
42	07400649	Spacer.....	墊塊.....	1
43	07400740	Knife Holder Shank.....	上切刀固定座柄.....	1
44	07400743	Screw (3/32-56X1.2).....	螺絲.....	1
45	07400741	Screw (3/32-56X3.8).....	螺絲.....	1
46	07400646	Top Cover Thread Hook C.Set.....	上飾線勾針組(長).....	1
47	07400647	Top Cover Thread Carrier C.Set.....	上飾線勾針組(短).....	1
48	07402648	Lap Former Guide C.Set.....	導布組.....	1
49	07402649	Knife Holder C.Set.....	寬版上刀片固定座組.....	1
50	07402650	Lap Former Guide.....	導布器(特厚刷毛用).....	1
51	★07402651	Presser Foot Spring Plate (Left).....	押具押板(左)(特厚刷毛用)..1	
52	★07402652	Presser Foot Spring Plate (Right).....	押具押板(右)(特厚刷毛用)..1	
53	07402901	Differential Feed Dog With Rubber (PU)...	優力膠前勾齒(特厚刷毛用).....1	
54	07402903	Main Feed Dog With Rubber (PU) For Double Cutter....	雙切優力膠後勾齒(特厚刷毛用)..1	
55	07402905	Feed Dog With Rubber (PU) For Double Cutter C.Set....	雙切膠齒組(特厚刷毛用)..... 1	



Ref.	Parts		Amt.
No.	No.	Description	品名
			Req.
1	★ 07402701	Double Side Cut Presser Foot C. Set.....	雙切押具組..... 1
2	★ 07402602	Double Side Cut Presser Foot (02H).....	雙切包縫過骨押腳..... 1
3	07400615	Screw (11/64-40X6.3).....	螺絲..... 1
4	07400616	Carrier/Hook Driving Segment.....	上勾針驅動扇形片..... 1
5	07400617	Carrier/Hook Driving Lever Link.....	上勾針驅動連桿..... 2
6	07400618	Link Pin.....	連桿插銷..... 4
7	07400619	Screw (3/32-56X3.3).....	螺絲..... 4
8	07400620	Thread Hook Driving Lever.....	勾針驅動槓桿..... 1
9	07400621	Top Cover Thread Hook.....	上飾線過線勾..... 1
10	07400622	Screw (9/64-40X6.8).....	螺絲..... 1
11	07400623	Top Cover Thread Carrier Driving Lever...	上飾線托架驅動槓桿..... 1
12	07400624	Top Cover Thread Carrier.....	上飾線托架..... 1
13	07400338	Screw (1/8-44X5).....	螺絲..... 2
14	07400626	Presser Foot Attach Piece (Right).....	押腳連接片(右)..... 1
15	07400627	Presser Foot Attach Piece (Left).....	押腳連接片(左)..... 1
16	07400628	Screw(3/32-56X1.5).....	螺絲..... 5
17	07402617	Lower Knife.....	下切刀片..... 1
18	07400630	Lower Knife Clamp.....	下切刀夾板..... 1
19	07400631	Screw (1/8-44X3.5).....	螺絲..... 1
20	07400632	Yielding Section Spring.....	押具輔助座彈簧..... 1
21	★ 07402521	Yielding Section.....	押具輔助座..... 1
22	★ 07401822	Presser Foot Tongue.....	導布板..... 1
23	07401823	Screw (3/32-56X2).....	螺絲..... 1
24	★ 07401824	Presser Foot Spring Plate (Left).....	押具押板(左)..... 1
25	★ 07401825	Presser Foot Spring Plate (Right).....	押具押板(右)..... 1
26	07400637	Screw (3/32-56X2.6).....	螺絲..... 2
27	07400638	Spring Plate Holder.....	彈簧片固定座..... 1
28	07400639	Chip Guard.....	切角防護片..... 1
29	07400640	Chip Guard Spring.....	切角防護片彈簧..... 1
30	07400641	Screw (1/8-44X3.4).....	螺絲..... 1
31	★ 07402631	Lap Former Guide.....	導布器..... 1
32	07401832	Screw (3/32-56X3.5).....	螺絲..... 1
33	07401833	Screw (3/32-56X3.9).....	螺絲..... 1
34	07401834	Lap Former Guide Support.....	導布器座..... 1
35	07401835	Lap Former Guide Spring.....	導布器彈簧片..... 1
36	07402636	Knife Support.....	上切刀支架..... 1
37	★ 07402637	Upper Knife.....	上刀片..... 1
38	07402638	Knife Holder.....	上刀片固定座..... 1
39	07402639	Screw (3/32-56X8).....	螺絲..... 2

★ 請參照附件 1【針距規格表】

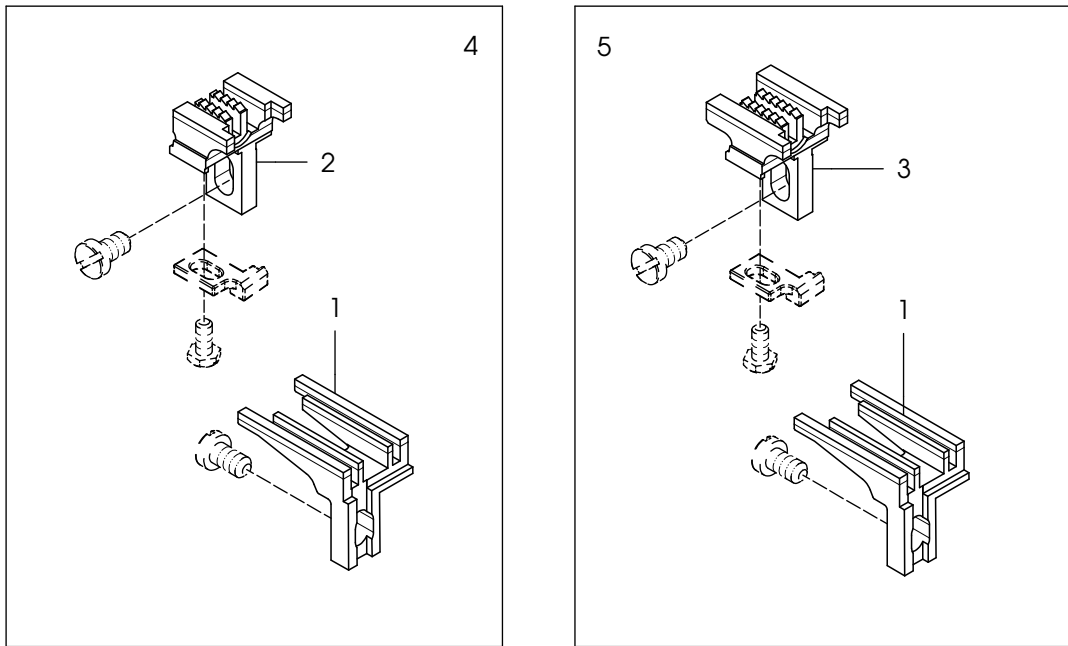


Ref.	Parts			Amt.
No.	No.	Description	品 名	Req.
40	07400747	Screw (1/4-40X6).....	螺絲.....	1
41	★ 07401008	Main Feed Dog (For Single Cutter Only)....	後送齒(限用單切).....	1
42	★	Stitch Plate (For Single Cutter Only).....	針板(限用單切).....	1
43	07400740	Knife Holder Shank.....	上切刀固定座柄.....	1
44	07400743	Screw (3/32-56X1.2).....	螺絲.....	1
45	07400741	Screw (3/32-56X3.8).....	螺絲.....	1
46	07400538	Screw (9/64-40X6.4).....	螺絲.....	3
47	★	Stitch Plate Tongue.....	針板舌.....	1
48	07400547	Screw (3/32-56X2).....	螺絲.....	1
49	★ 07401010	Needle Guard(Rear).....	針檔(後).....	1
50	★ 07401007	Differential Feed Dog.....	前送齒.....	1
51	07400302	Screw (11/64-40X7.8).....	螺絲.....	2
52	07401011	Screw (1/8-44X4.8).....	螺絲.....	1
53	07400650	Screw (3/32-56X4.3).....	螺絲.....	1
54	07400649	Spacer.....	墊塊.....	1
55	07400646	Top Cover Thread Hook C.Set.....	上飾線勾針組(長).....	1
56	07400647	Top Cover Thread Carrier C.Set.....	上飾線勾針組(短).....	1
57	07401852	Stitch Plate C.Set (For Single Cutter Only).	針板組(限用單切).....	1
58	07402648	Lap Former Guide C.Set.....	導布組.....	1
59	07402649	Knife Holder C.Set.....	寬版上刀片固定座組.....	1
60	07402544	Main Feed Dog C.Set (For Single Cutter Only).	後送齒組(限用單切).....	1

★ 請參照附件 1 【針距規格表】

Ref.	Parts			Amt.
No.	No.	Description	品名	Req.
1	07402201	Tape Reel Support.....	貼條架.....	1
2	07402202	Screw(9/64"-40 x 17).....	螺絲.....	2
3	07402203	Rubber Cushion.....	橡膠墊片.....	2
4	07402204	Tape Reel Shaft.....	貼條主軸.....	1
5	07402205	Nut.....	螺帽.....	1
6	07402206	Tape Reel.....	貼條盤.....	2
7	07402207	Tape Reel Spring.....	彈簧.....	1
8	07402208	Collar(10 x16 x 6mm).....	軸環.....	1
9	07402209	Screw(9/64"-40 x 7.9).....	螺絲.....	1
10	07402210	Tape Guide.....	織帶導引支架.....	1
11	07402211	Screw(M4-0.7 x 5).....	螺絲.....	1
12	07402212	Frame Chip Guard.....	導布蓋.....	1
13	07402213	Binder.....	包邊器(喇叭).....	1
14	07402214	Screw(9/64"-40 x 5).....	螺絲.....	2
15	07402215	Cushion Block.....	墊塊.....	1
16	07402216	Chip Guard.....	切角防護片.....	1
17	★ 07402817	Double Side Cut Presser Foot (02-T2).....	雙切貼條押腳.....	1
18	07402818	Presser Foot C. Set	押具組.....	1
19	★ 07401824	Presser Foot Spring Plate (Left).....	押具押板(左).....	1
20	★ 07401825	Presser Foot Spring Plate (Right).....	押具押板(右).....	1
21	07402821	Tape Reel C.Set.....	貼條組.....	1
22	07400615	Screw (11/64-40X6.3).....	螺絲.....	1
23	07400338	Screw (1/8-44X5).....	螺絲.....	1
24	07400626	Presser Foot Attach Piece (Right).....	押腳連接片(右).....	1
25	07400627	Presser Foot Attach Piece (Left).....	押腳連接片(左).....	1
26	07400628	Screw(3/32-56X1.5).....	螺絲.....	5
27	07400629	Lower Knife.....	下切刀片.....	1
28	07400630	Lower Knife Clamp.....	下切刀夾板.....	1
29	07400631	Screw (1/8-44X3.5).....	螺絲.....	1
30	07400632	Yielding Section Spring.....	押具輔助座彈簧.....	1
31	★ 07401821	Yielding Section.....	押具輔助座.....	1
32	07400637	Screw (3/32-56X2.6).....	螺絲.....	2
33	07400638	Spring Plate Holder.....	彈簧片固定座.....	1
34	07400640	Chip Guard Spring.....	切角防護片彈簧.....	1
35	07400641	Screw (1/8-44X3.4).....	螺絲.....	1
36	07400144	Frame Chip Guard Washer.....	導布蓋固定墊片.....	1
37	07400146	Frame Chip Guard Spring.....	導布蓋彈簧.....	1
38	07400147	Screw (M5-0.8X8.5).....	螺絲.....	1
39	07402239	Tape Reel Support C.Set.....	貼條組.....	1
40	★ 07401822	Presser Foot Tongue.....	導布板.....	1

★ 請參照附件 1【針距規格表】



特殊勾齒使用時機

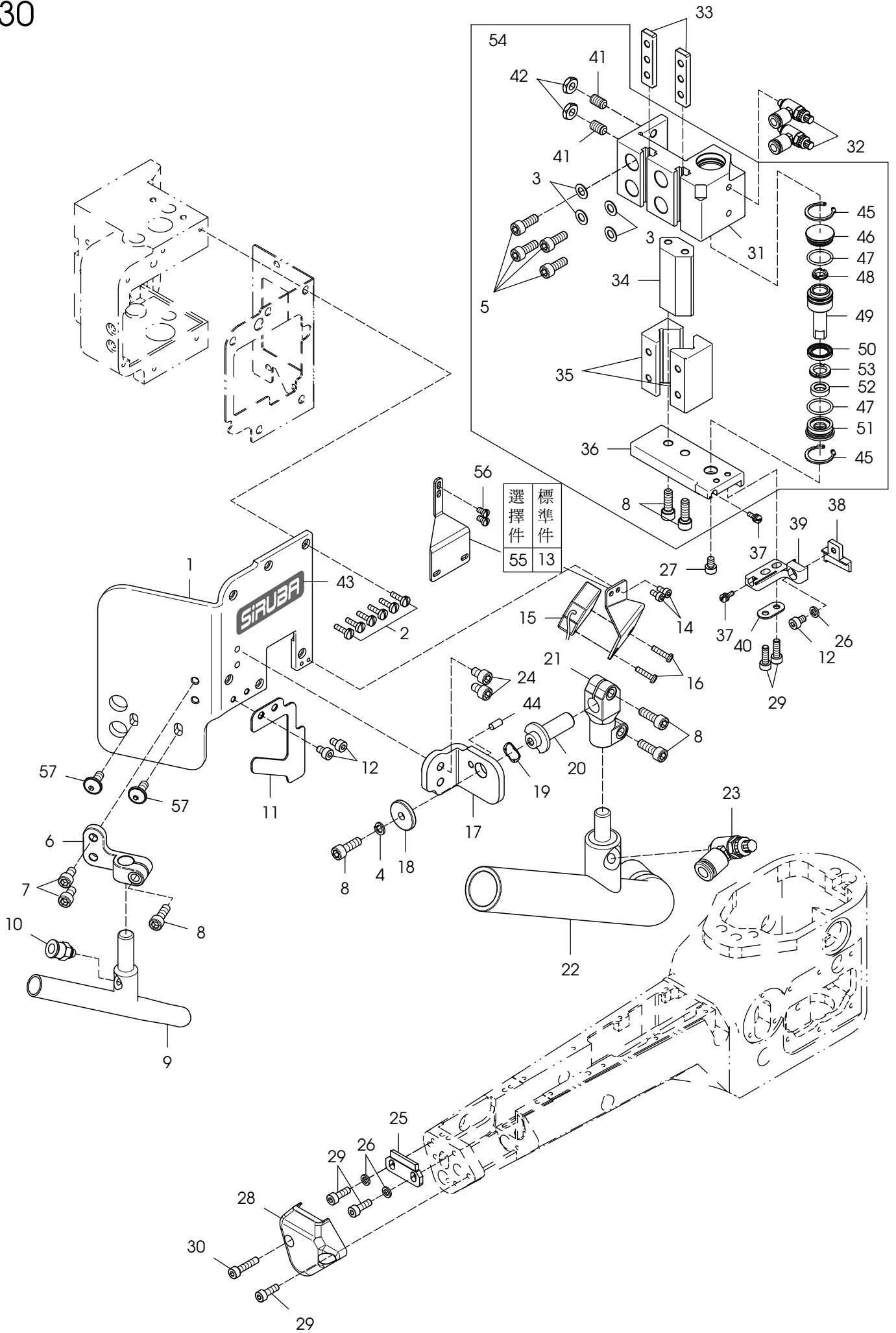
1. 為避免金屬勾齒造成布料上之齒痕而選用。
2. 為避免金屬勾齒造成薄料布料損傷、破洞之狀況而選用。

SELECT DEVICE(FEED DOG)

特殊勾齒(膠齒)

29

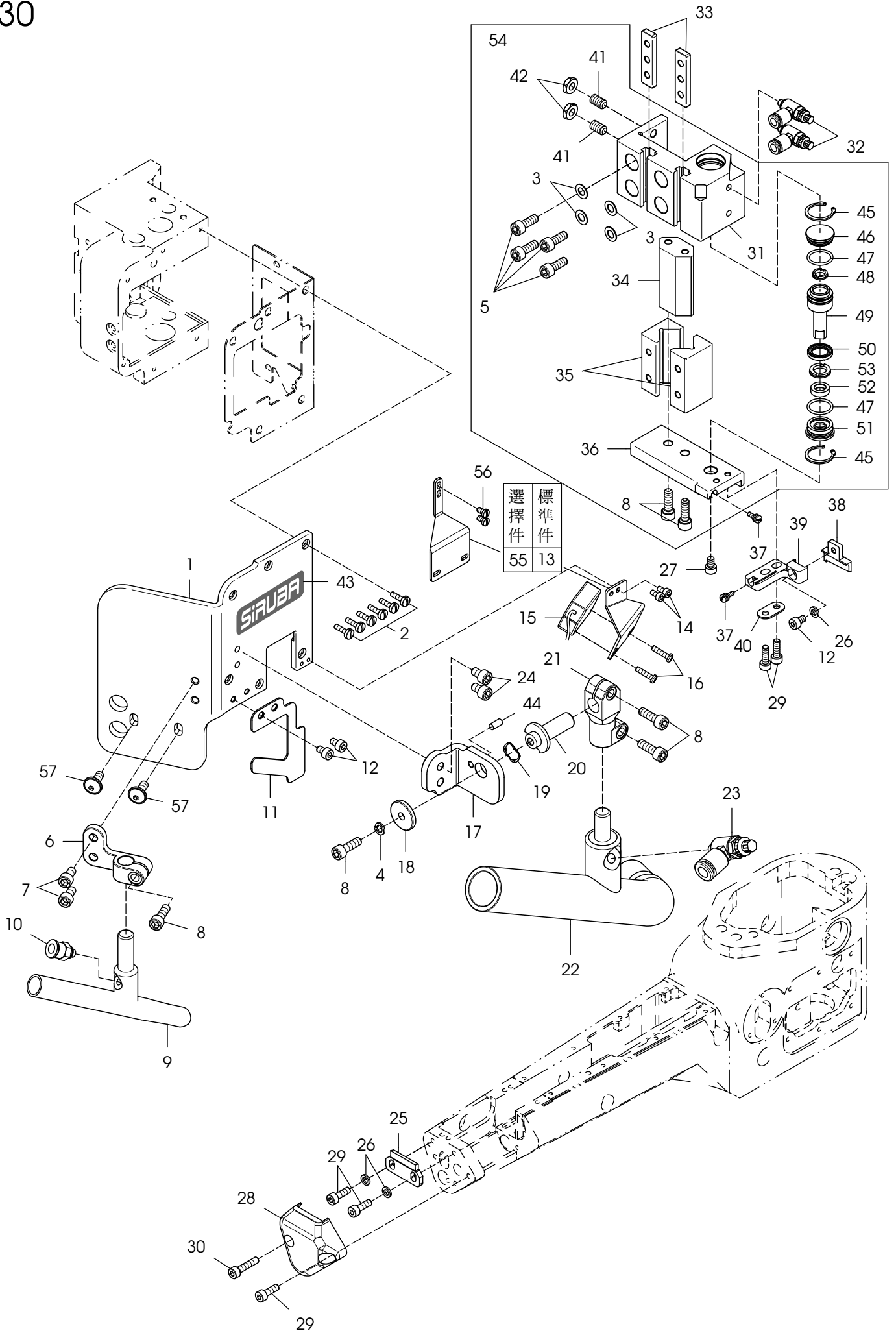
<u>Ref.</u>	<u>Parts</u>			<u>Amt.</u>
<u>No.</u>	<u>No.</u>	<u>Description</u>	<u>品 名</u>	<u>Req.</u>
1	07402901	Differential Feed Dog With Rubber (PU)...	優力膠前勾齒.....	2
2	07402902	Main Feed Dog With Rubber (PU) For Single Cutter.....	單切優力膠後勾齒.....	1
3	07402903	Main Feed Dog With Rubber (PU) For Double Cutter....	雙切優力膠後勾齒.....	1
4	07402904	Feed Dog With Rubber (PU) For Single Cutter C.Set.....	單切膠齒組.....	1
5	07402905	Feed Dog With Rubber (PU) For Double Cutter C.Set....	雙切膠齒組.....	1



SELECT DEVICE(AK)

選擇配備(AK)-自動切線 30

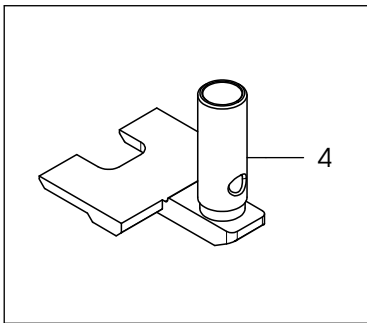
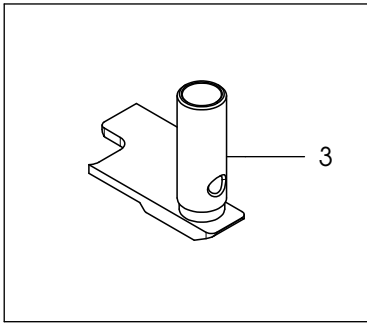
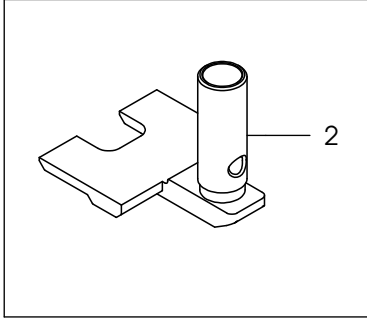
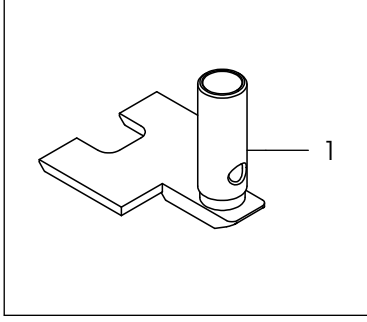
Ref.	Parts			Amt.
No.	No.	Description	品 名	Req.
1	07403001	Sewing Head Cover(Left).....	車頭蓋(左).....	1
2	07400107	Screw (9/64-40X10.8)	螺絲(一字).....	6
3	07401547	Washer.....	墊片(有加強..).....	4
4	07401548	Spring Washer.....	彈簧防振墊片.....	1
5	07401537	Screw(M5-0.8X14).....	螺絲(內六角).....	4
6	07403006	Connecting Rod.....	連桿.....	1
7	07403007	Screw(M5-0.8X10).....	螺絲(內六角).....	2
8	07401534	Screw(M5-0.8X16).....	螺絲(內六角).....	6
9	07403009	Clear Pipe.....	吸屑管.....	1
10	07403010	Speed Connector.....	調速接頭.....	1
11	07403011	Safety Plate.....	護目鏡片.....	1
12	07403012	Screw(M4-0.7X6).....	螺絲(內六角).....	3
13	07403013	Switches Holder.....	電眼架(側面).....	1
14	07403014	Screw(M3-0.5X6).....	螺絲(內六角).....	2
15	07403015	Photoelectric Switches.....	光電感應器.....	1
16	07403016	Screw(M3-0.5X12).....	螺絲(雙一字).....	2
17	07403017	Bracket.....	托架.....	1
18	07401531	Washer.....	墊片.....	1
19	07401532	Wave Washer.....	波狀墊片.....	1
20	07401536	Connecting Rod Pin.....	連桿插銷.....	1
21	07401533	Connecting Rod.....	連桿.....	1
22	07401527A	Clear Pipe.....	吸屑管.....	1
23	07401538A	Speed Connector.....	調速接頭(B 式).....	1
24	07403024	Screw(M5-0.8X8).....	螺絲(內六角).....	2
25	07403025	Lower Knife.....	下切刀.....	1
26	07403026	Washer.....	墊片.....	3
27	07403027	Screw(M4-0.7X10).....	螺絲(內六角).....	1
28	07403028	Cover.....	護罩.....	1
29	07403029	Screw (M4-0.7X12).....	螺絲(內六角).....	5
30	07403030	Screw (M4-0.7X18).....	螺絲(內六角).....	1
31	07403031	Cylinder.....	氣壓缸.....	1
32	07403032	Speed Connector.....	調速接頭(A 式).....	2
33	07403033	Oblong Washer.....	長形墊片.....	2
34	07403034	Cylinder Connecting Rod.....	氣缸連桿.....	1
35	07403035	Connecting Rod Holder.....	連桿支座.....	2
36	07403036	Cylinder Bracket.....	氣缸架.....	1
37	07403037	Screw (M2.6-0.45X6).....	螺絲(一字).....	2
38	07403038	Upper Knife.....	上切刀.....	1
39	07403039	Upper Knife Holder.....	上切刀固定座.....	1
40	07403040	Oval Washer.....	橢圓墊片.....	1



SELECT DEVICE(AK)

選擇配備(AK)-自動切線 30

Ref.	Parts			Amt.
<u>No.</u>	<u>No.</u>	<u>Description</u>	<u>品 名</u>	<u>Req.</u>
41	07403041	Screw (M6-1X10)	螺絲(止付)	2
42	07403042	Nut.....	螺帽.....	2
43	07400152	Emblem.....	銘牌.....	1
44	07401535	Pin.....	插銷.....	1
45	07403045	Retaining Ring.....	扣環.....	2
46	07403046	Cover.....	上蓋.....	1
47	07403047	O-ring.....	O環.....	2
48	07403048	Washer.....	防振墊圈.....	1
49	07403049	Cylinder Shaft.....	氣壓缸主軸.....	1
50	07403050	Washer.....	防油墊片(大)	1
51	07403051	Cover.....	下蓋.....	1
52	07403052	Washer.....	防油墊片(小)	1
53	07403053	Washer.....	防振墊圈.....	1
54	07403054	Cylinder Asm.	氣壓缸組.....	1
55	07403055	Switches Holder.....	電眼架(正面).....	1
56	07400366	Screw (1/8-44X5.7)	螺絲(一字).....	2
57	07403057	Screw (M5-0.8X12.3)	螺絲.....	2

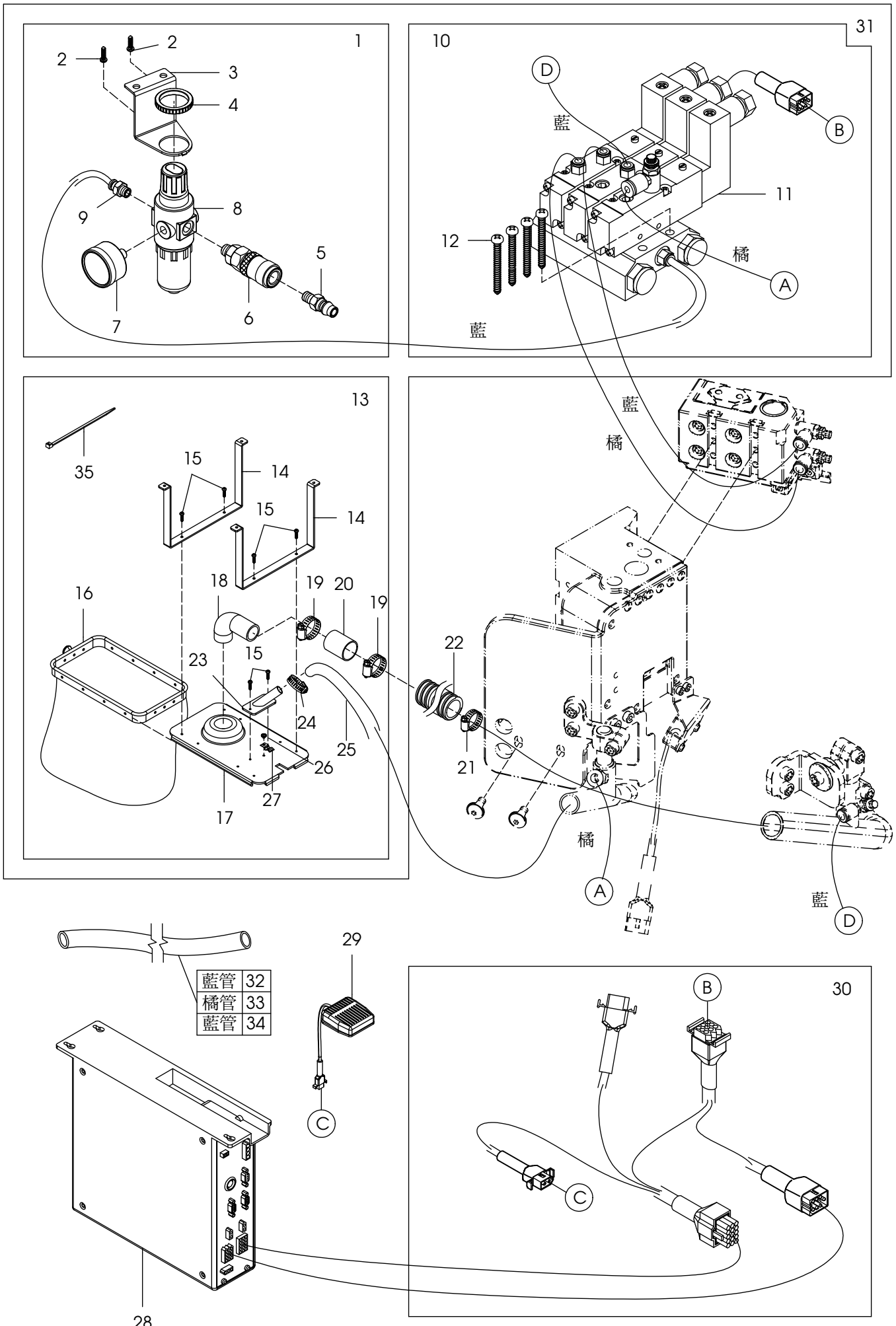


SELECT DEVICE(AK PRESSER FOOT)

選擇配備(AK)-自動切線押腳 31

Ref.	Parts			Amt.
<u>No.</u>	<u>No.</u>	<u>Description</u>	<u>品 名</u>	<u>Req.</u>
1	★ 07403101	Yielding Section (One Side Cut).....	押具輔助座(單切用).....	1
2	★ 07403102	Yielding Section(Double Side Cut).....	押具輔助座(雙切用).....	1
3	★ 07403103	Yielding Section (470.480-01DS).....	押具輔助座(限用 470.480-01DS) .	1
4	★ 07403104	Yielding Section (02-4L20).....	押具輔助座(限用 02-4LXX)..	1

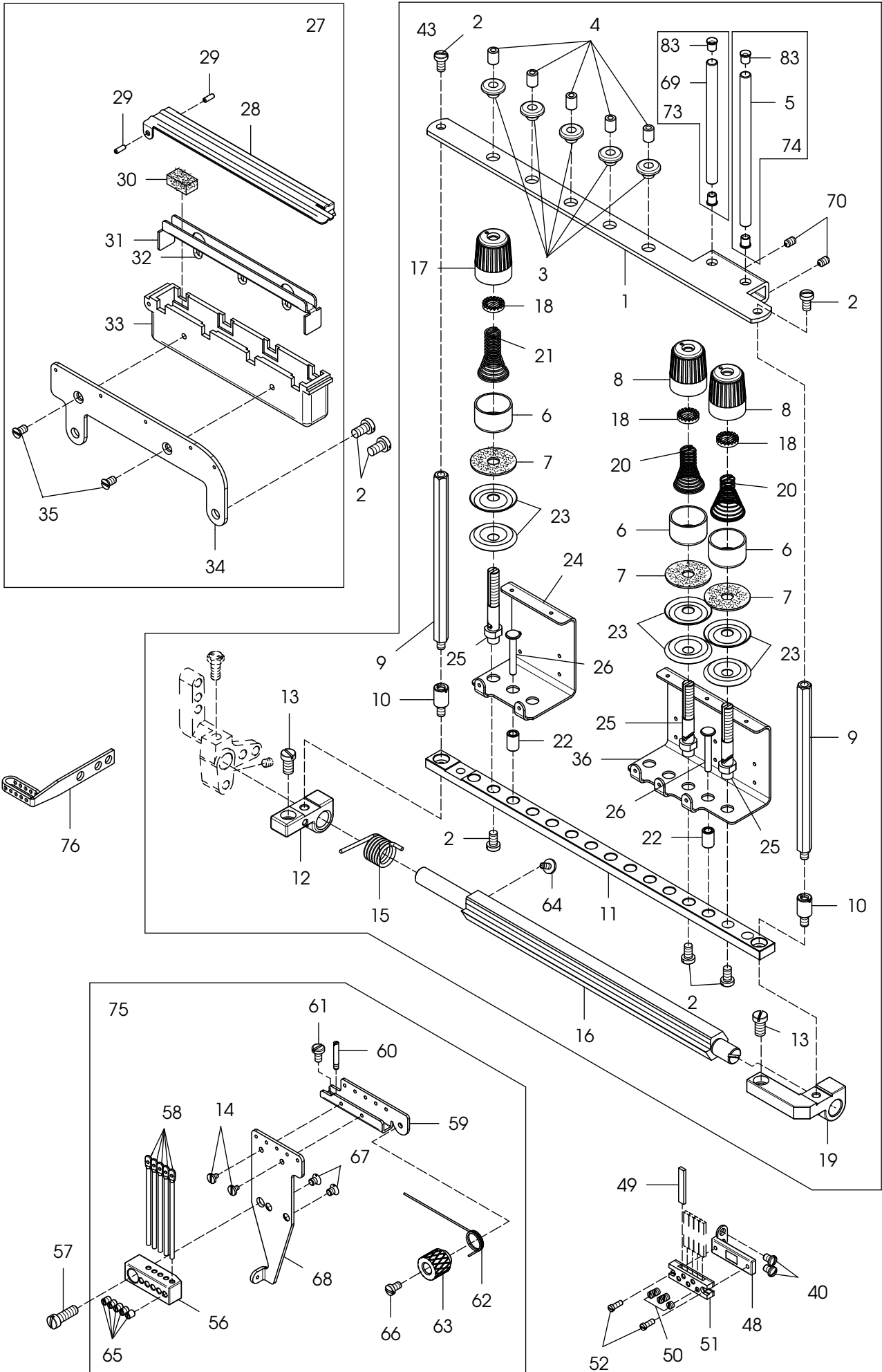
★ 請參照附件 1 【針距規格表】



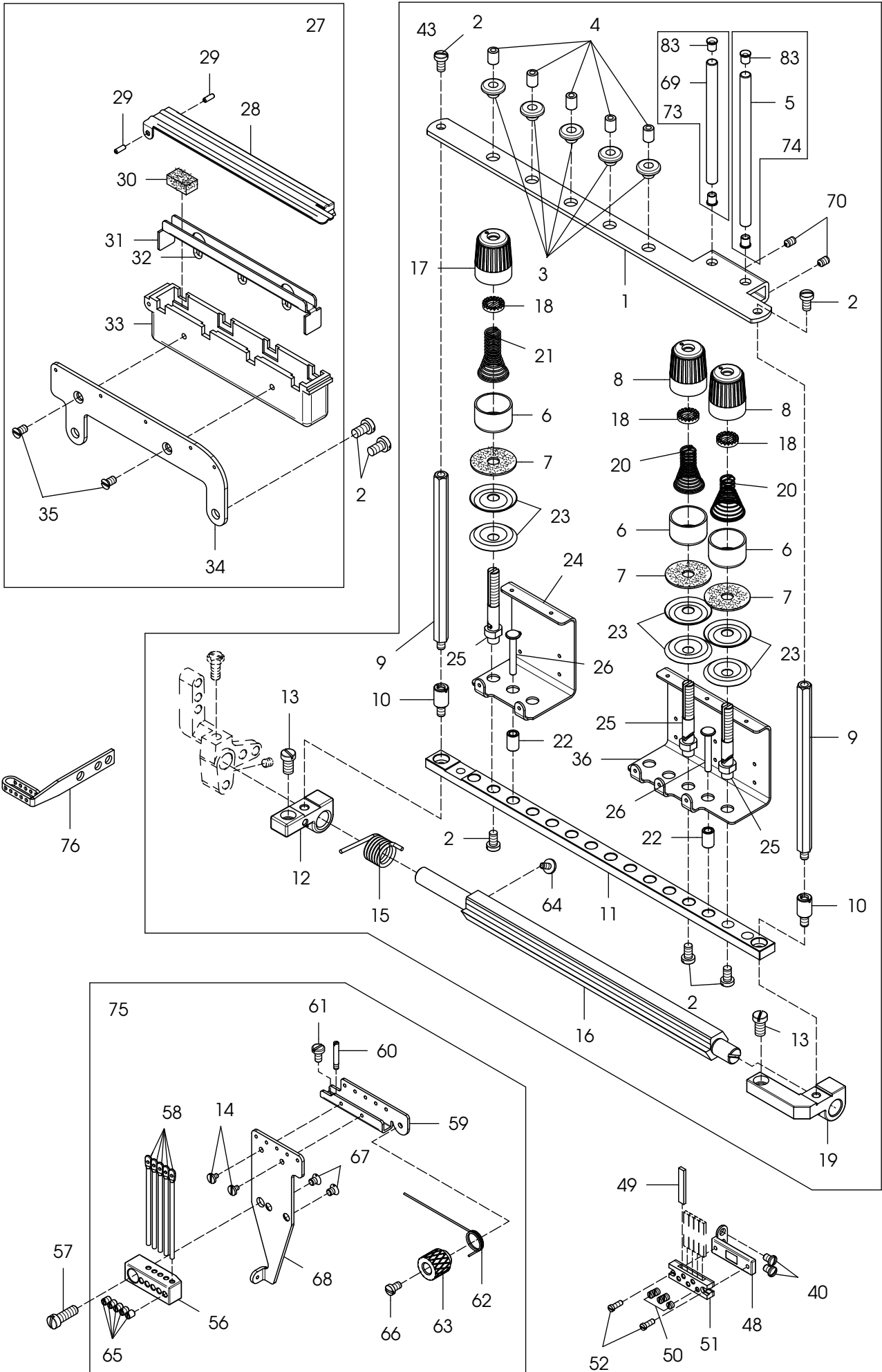
AK DUST-COLLECTING EQUIPMENT(SELECT DEVICE)

AK 集塵裝置(選擇配備) 32

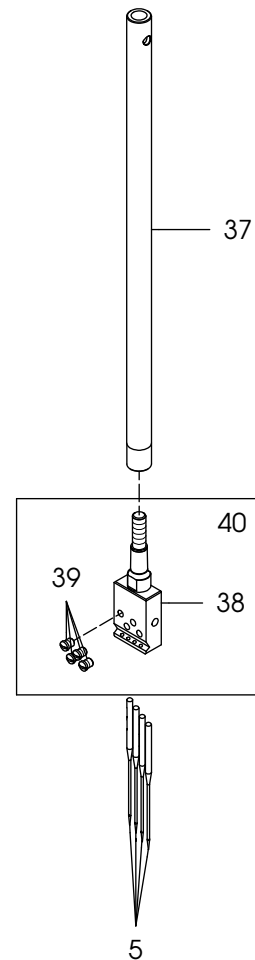
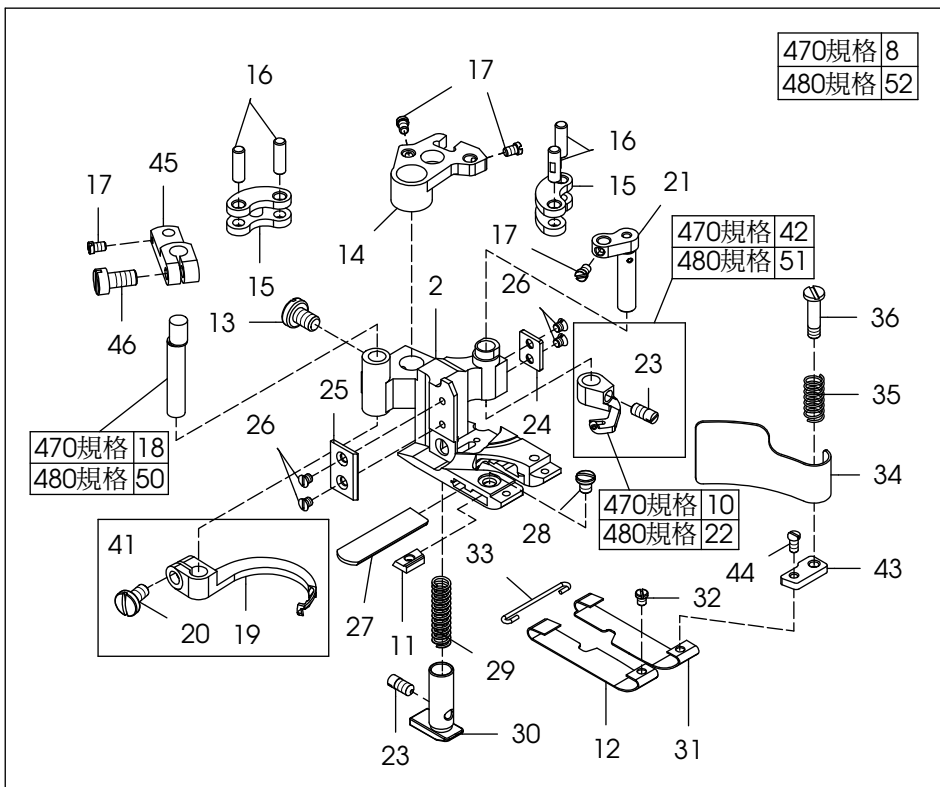
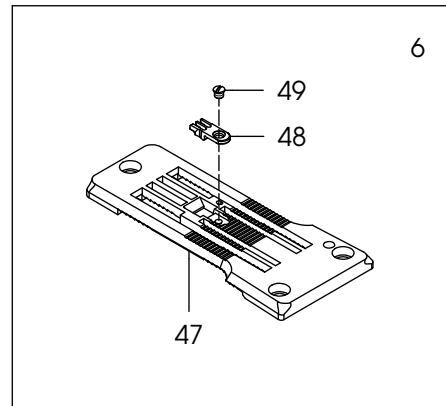
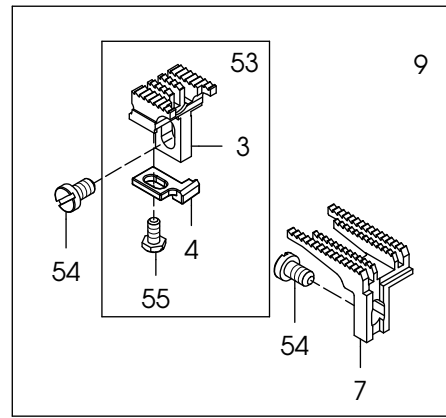
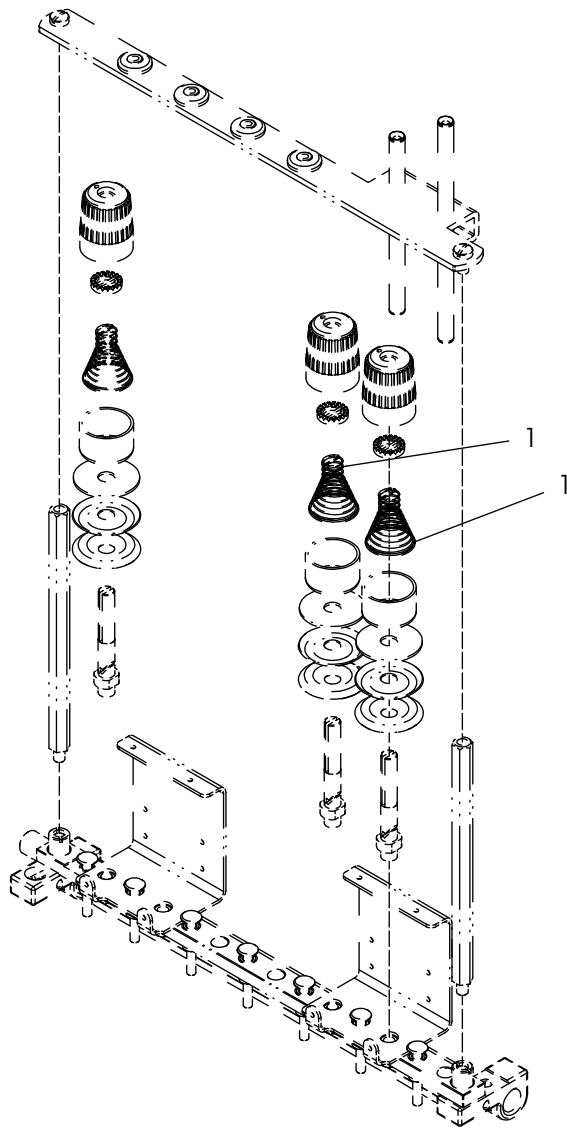
Ref.	Parts			Amt.
No.	No.	Description	品 名	Req.
1	07403201	Pneumatic Regulator C.Set.....	氣壓調節器組.....	1
2	07401508	Wood Screw.....	木螺絲.....	2
3	07403203	Bracket.....	托架.....	1
4	07401519	Screw Ring.....	螺環.....	1
5	07403205	Coupler.....	轉接頭.....	1
6	07403206	Connect Valve.....	氣壓閥.....	1
7	07401515	Gauge.....	氣磅表.....	1
8	07401513	Pneumatic Regulator.....	氣壓調節器.....	1
9	07401524	Coupler.....	轉接頭.....	1
10	07403210	Solenoid Valve C.Set.....	電磁閥組.....	1
11	07403211	Solenoid Valve.....	電磁閥.....	1
12	07403212	Wood Screw.....	木螺絲.....	4
13	07403213A	Dust-Collecting Equipment.....	集塵組.....	1
14	07401544	Holder.....	固定座.....	2
15	07401505	Wood Screw.....	木螺絲.....	6
16	07401528	Bag.....	布屑袋.....	1
17	07403217	Cover.....	布屑蓋.....	1
18	07401545	Clear Pipe.....	吸屑管.....	1
19	07401529	Fixed Ring.....	套環.....	2
20	07401503A	Connect Tube.....	接管.....	1
21	07401517	Fixed Ring.....	套環.....	1
22	07401506A	Tube.....	風管(大).....	1
23	07403223	Clear Pipe.....	吸屑管.....	1
24	07403224	Fixed Ring.....	套環.....	1
25	07403225	Tube.....	風管(小).....	1
26	07401543	Screw (M4-0.7X3.5).....	螺絲.....	1
27	07401542	Spring Washer.....	彈片.....	1
28	07401206	Control Box.....	控制箱.....	1
29	07403229	Knee Switch.....	膝動開關.....	1
30	07403230	Relay Line.....	抬押腳中繼線.....	1
31	07403231	AK Clear System.....	AK 吸風組.....	1
32	07403232	Tube (Blue)	氣管(藍)(6mmX28in).....	1
33	07403233	Tube (Orange)	氣管(橘)(6mmX60in).....	2
34	07401549	Tube (Blue)	氣管(藍)(6mmX60in).....	2
35	07401550	Ties.....	束線帶(CV-250).....	12



Ref.	Parts		Amt.
No.	No.	Description	品名
			Req.
1	07403301	Thread Guide Plate.....	線架板..... 1
2	07400302	Screw (11/64-40X7.8).....	螺絲..... 11
3	07400303	Thread Eyelet Bushing.....	過線孔套圈..... 5
4	07400304	Thread Eyelet.....	過線孔..... 5
5	07400305	Thread Pipe (Long).....	過線管(長)..... 1
6	07400306	Spring Retainer.....	彈簧固定座..... 7
7	07400307	Felt.....	氈墊..... 7
8	07400308	Spring Cap.....	彈簧調整鈕..... 2
9	07400309	Thread Guide Plate Support.....	線架板支撐棒..... 2
10	07400310	Screw (11/64-40X7).....	螺絲..... 2
11	07403311	Thread Tension Support.....	上線張力固定座..... 1
12	07400312	Thread Tension Support Bracket.....	上線張力固定座支架..... 1
13	07400313	Screw (7/32-32X9.5).....	螺絲..... 2
14	07400314	Screw (3/32-56X3.1).....	螺絲..... 2
15	07400315	Tension Release Shaft Spring.....	張力釋放軸彈簧..... 1
16	07403316	Tension Release Shaft.....	張力釋放軸..... 1
17	07400317	Spring Cap.....	彈簧調整鈕..... 5
18	07400318	Tension Spring Disc Support.....	張力彈簧調整圓盤..... 7
19	07403319	Thread Tension Support Bracket.....	上線張力固定座支架..... 1
20	07400320	Top Cover Thread Tension Spring.....	上飾線張力彈簧..... 2
21	07400321	Needle Thread Tension Spring.....	針線張力彈簧..... 5
22	07400322	Tension Release Pin Bushing.....	張力釋放插銷套管..... 8
23	07400323	Thread Tension Disc.....	張力調整盤..... 14
24	07400324	Thread Tension Disc Eyelet.....	張力調整過線架..... 2
25	07400325	Tension Post.....	張力彈簧支柱..... 7
26	07400326	Tension Release Pin.....	張力釋放插銷..... 8
27	07400327	SP Device , Complete C. Set.....	針線矽油組..... 1
28	07400328	Oil Cup Lip.....	矽油儲存槽蓋..... 1
29	07400329	Hinge Pin.....	鉸鏈插銷..... 2
30	07400330	SP Felt.....	SP 吸油氈..... 4
31	07400331	SP Felt Stay.....	SP 吸油氈支柱..... 1
32	07400332	Oil Wick.....	油芯..... 1
33	07400333	SP Container.....	矽油儲存槽..... 1
34	07403334	SP Container Support.....	矽油儲存槽固定座..... 1
35	07400335	Screw (9/64-40X4.6).....	螺絲..... 2
36	07403336	Thread Tension Disc Eyelet.....	張力調整過線架..... 1
40	07400340	Screw (1/8-44X4.3).....	螺絲..... 2
43	07403343	Thread Guide C.Set (5 Needle).....	線架組(五針七線)..... 1
48	07403348	Needle Thread Strike-off Pin Holder Bracket....	打線片固定架..... 1
49	07400349	Needle Thread Strike-off Pin.....	打線片..... 5

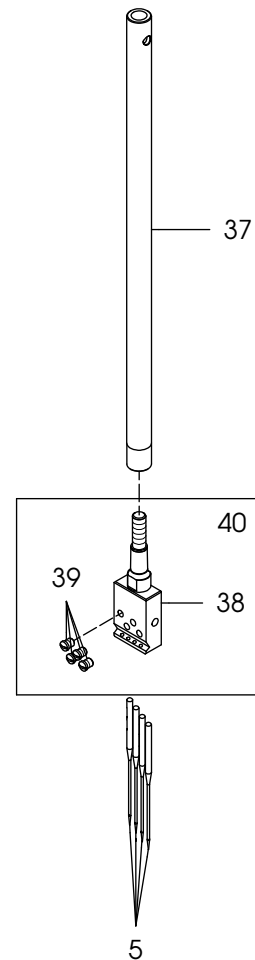
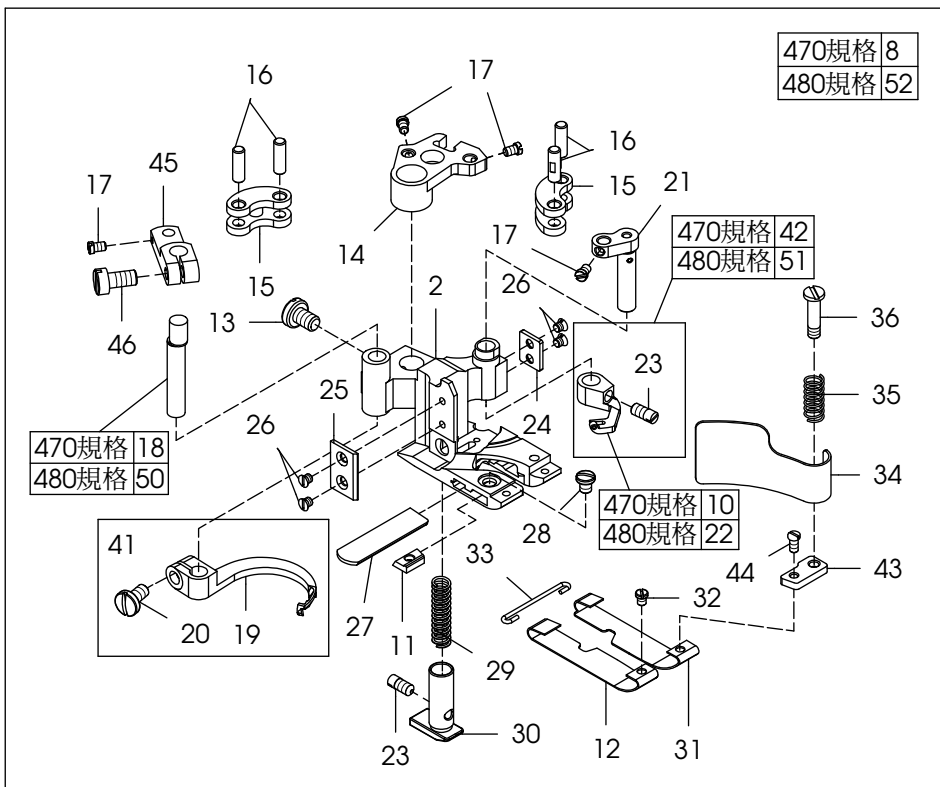
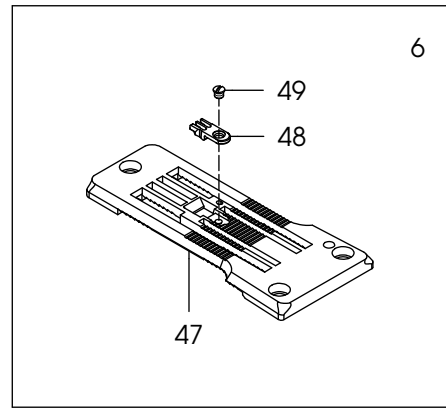
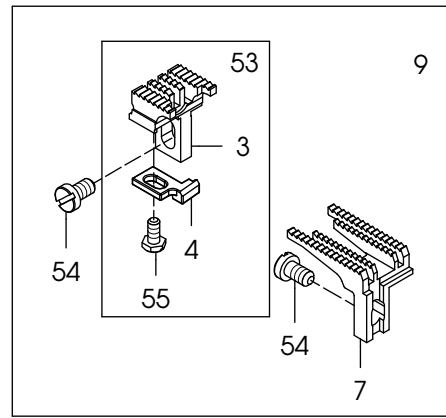
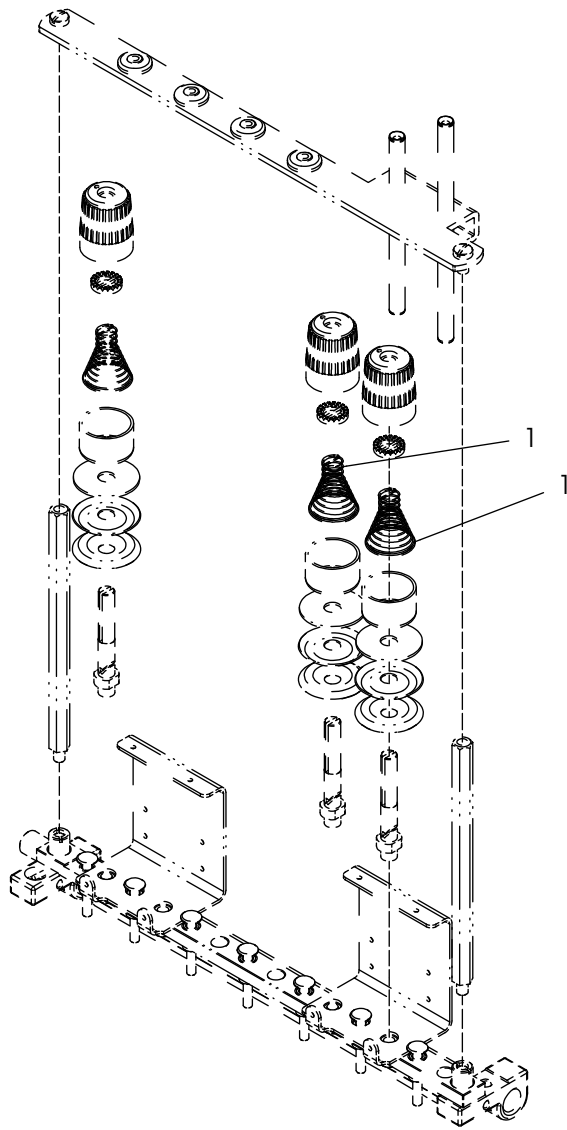


Ref.	Parts		Amt.
No.	No.	Description	品名
			Req.
50	07400350	Screw (1/8-44X2).....	螺絲..... 5
51	07403351	Needle Thread Strike-off Pin Holder.....	打線片固定座..... 1
52	07400352	Screw (3/32-56X6.2).....	螺絲..... 2
56	07403356	Needle Thread Eyelet Holder.....	針線過線棒座..... 1
57	07400357	Screw (11/64-40X13).....	螺絲..... 1
58	07400358	Needle Thread Eyelet.....	針線過線棒..... 5
59	07403359	Stitch Unlocker Mounting Bracket.....	過線架..... 1
60	07400360	Screw (M2.3-0.4X3).....	螺絲..... 1
61	07400361	Screw (1/8-44X5.9).....	螺絲..... 1
62	07403362	Stitch Unlocking Spring.....	過線彈簧..... 1
63	07400363	Stitch Unlocking Spring Holder.....	過線彈簧調節鈕..... 1
64	07400364	Screw (1/8-44X6.4).....	螺絲..... 1
65	07400365	Screw (1/8-44X3.4).....	螺絲..... 5
66	07400366	Screw (1/8-44X5.7).....	螺絲..... 1
67	07400367	Screw (1/8-44X2.7).....	螺絲..... 2
68	07403368	Stitch Unlocking Holder.....	過線座..... 1
69	07400369	Thread Pipe (Short).....	過線管(短)..... 1
70	07400370	Screw (M4-0.7X6).....	螺絲..... 2
73	07400373	Thread Pipe C.Set (Short).....	過線管組(短)..... 1
74	07400374	Thread Pipe C.Set (Long).....	過線管組(長)..... 1
75	07400375	Needle Thread Eyelet C.Set.....	針線過線棒組..... 1
76	07403376	Needle Thread Take-up.....	導線架..... 1
83	07400383	Thread Eyelet.....	過線陶瓷(深灰)..... 4



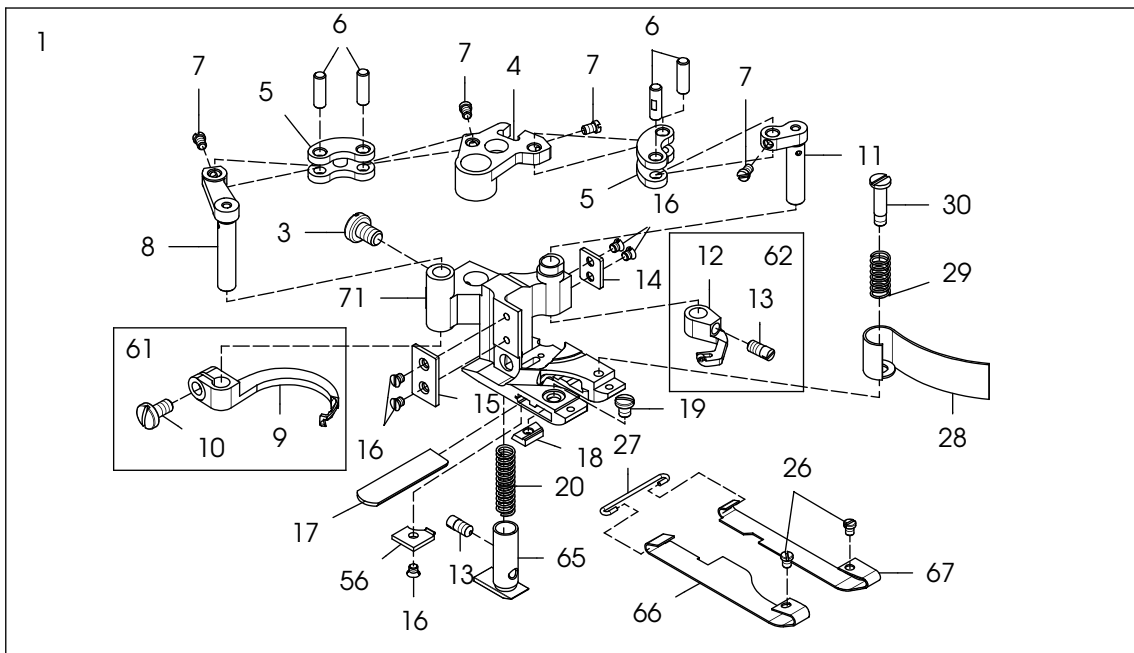
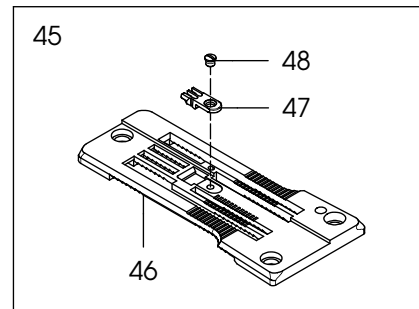
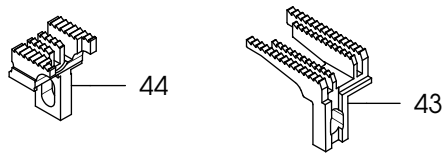
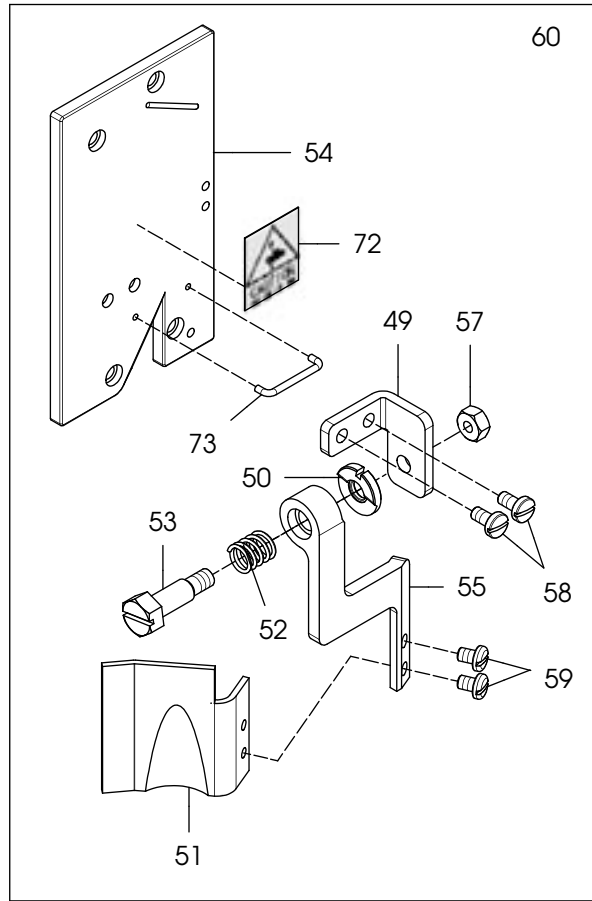
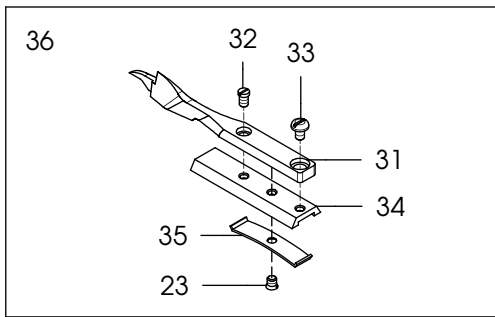
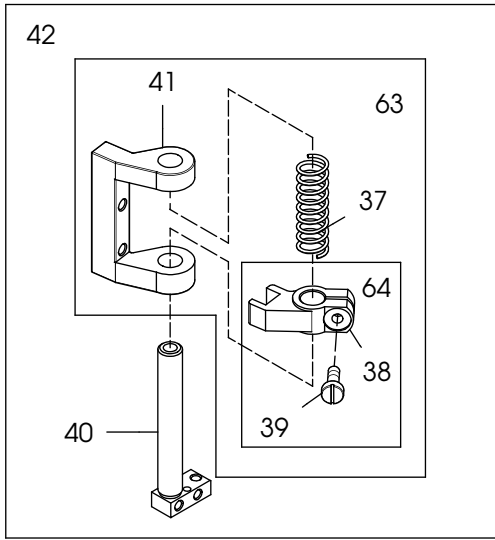
Ref.	Parts		Amt.
No.	No.	Description	品 名
			Req.
1	07400319	Top Cover Thread Tension Spring.....	上飾線張力彈簧.....2
2	★ 07403402	Presser Foot (01)-470.480.....	專用押腳(01)-規格 470.480. 1
3	★ 07403403	Main Feed Dog	單切後送齒..... 1
4	★ 07403404	Needle Guard(Rear).....	針檔(後)..... 1
5	07403405	Needle.....	擊針..... 4
6	07403406	Stitch Plate C.Set	針板組..... 1
7	★ 07402407	Differential Feed Dog.....	前送齒..... 1
8	★ 07403408	Presser Foot C. Set (For 470 Only).....	專用押具組(限用 470)..... 1
9	07403409	One Side Cut Feed Dog C. Set.....	單切送齒組..... 1
10	07403410	Top Cover Thread Carrier (For 470 Only)..	上飾線托架(限用 470).... 1
11	★ 07402411	Lower Knife Clamp.....	下切刀夾板..... 1
12	★ 07403412	Presser Foot Spring Plate (Left).....	押具押板(左)..... 1
13	07400615	Screw (11/64-40X6.3).....	螺絲..... 1
14	07400616	Carrier/Hook Driving Segment.....	上勾針驅動扇形片..... 1
15	07400617	Carrier/Hook Driving Lever Link.....	上勾針驅動連桿..... 2
16	07400618	Link Pin.....	連桿插銷..... 4
17	07400619	Screw (3/32-56X3.3).....	螺絲..... 4
18	07403418	Thread Hook Driving Lever (For 470 Only)	勾針驅動槓桿(限用 470)..1
19	07400621	Top Cover Thread Hook.....	上飾線過線勾..... 1
20	07400622	Screw (9/64-40X6.8).....	螺絲..... 1
21	07400623	Top Cover Thread Carrier Driving Lever...	上飾線托架驅動槓桿..... 1
22	07403422	Top Cover Thread Carrier (For 480 Only)..	上飾線托架(限用 480).... 1
23	07400338	Screw (1/8-44X5).....	螺絲..... 2
24	07400626	Presser Foot Attach Piece (Right).....	押腳連接片(右)..... 1
25	07400627	Presser Foot Attach Piece (Left).....	押腳連接片(左)..... 1
26	07400628	Screw(3/32-56X1.5).....	螺絲..... 4
27	07400629	Lower Knife.....	下切刀片..... 1
28	07400631	Screw (1/8-44X3.5).....	螺絲..... 1
29	07400632	Yielding Section Spring.....	押具輔助座彈簧..... 1
30	★ 07400633	Yielding Section.....	押具輔助座..... 1
31	★ 07403431	Presser Foot Spring Plate (Right).....	押具押板(右)..... 1
32	07400637	Screw (3/32-56X2.6).....	螺絲..... 1
33	07400638	Spring Plate Holder.....	彈簧片固定座..... 1
34	07400639	Chip Guard.....	切角防護片..... 1
35	07400640	Chip Guard Spring.....	切角防護片彈簧..... 1
36	07400641	Screw (1/8-44X3.4).....	螺絲..... 1
37	07400539	Needle Bar.....	針柱..... 1
38	★	Needle Clamp.....	針錙..... 1
39	07400543	Screw (3/32-56X2.5).....	螺絲..... 4

★請參照附件 1【針距規格表】



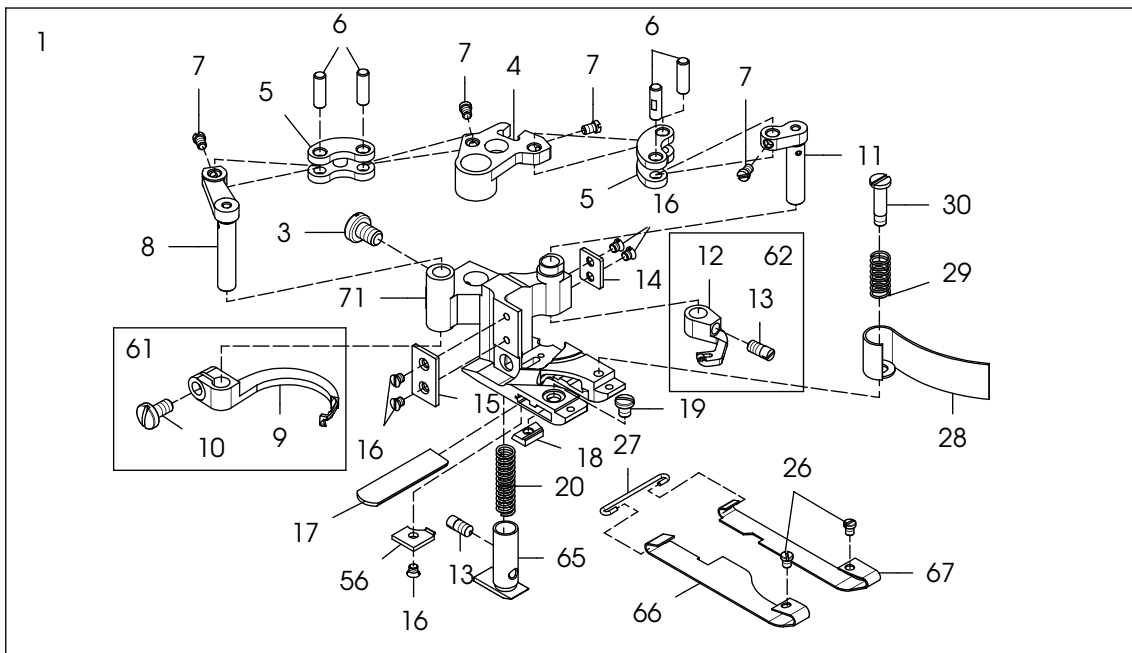
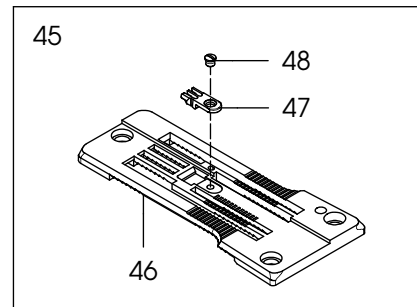
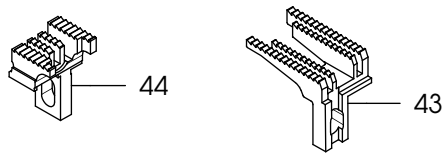
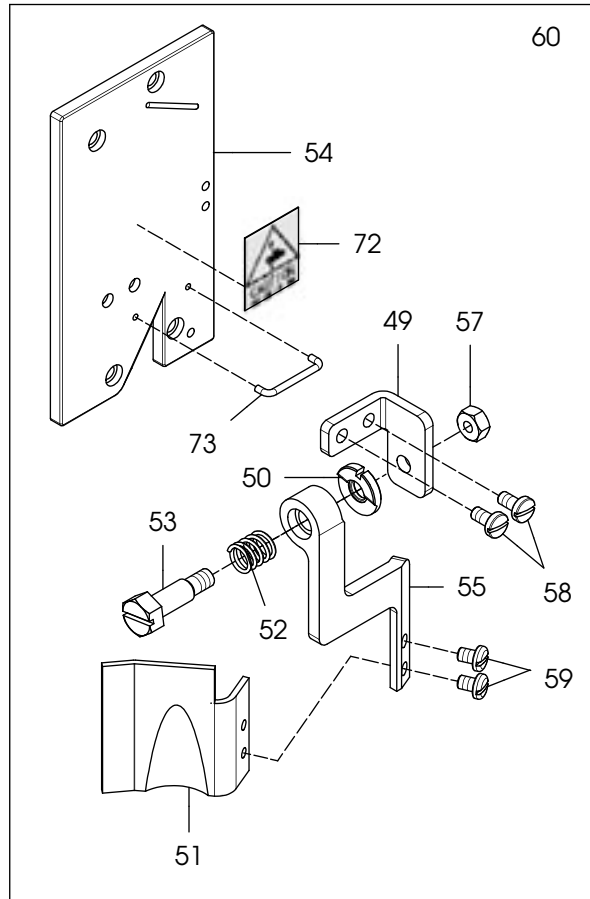
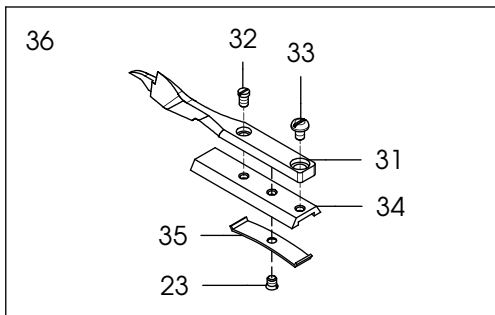
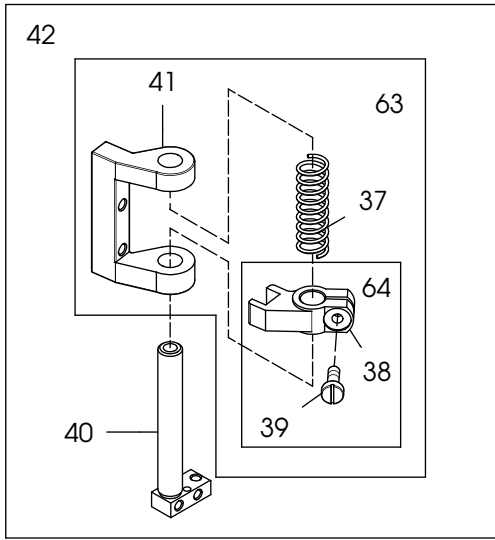
Ref.	Parts			Amt.
No.	No.	Description	品 名	Req.
40	07400531	Needle Clamp C.Set.....	針鉗組.....	1
41	07400646	Top Cover Thread Hook C.Set.....	上飾線勾針組(長).....	1
42	07403442	Top Cover Thread Carrier C.Set (For 470 Only)	上飾線勾針組(短)(限用 470)	1
43	07400649	Spacer.....	墊塊.....	1
44	07400650	Screw (3/32-56X4.3).....	螺絲.....	1
45	07403445	Driving Lever.....	驅動連桿.....	1
46	07403446	Screw (M4-0.7X8).....	螺絲(一字頭).....	1
47	★	Stitch Plate	單切針板.....	1
48	★	Stitch Plate Tongue.....	針板舌.....	1
49	07400547	Screw (3/32-56X2).....	螺絲.....	1
50	07403450	Thread Hook Driving Lever (For 480 Only)	勾針驅動槓桿(限用 480)..	1
51	07403451	Top Cover Thread Carrier C.Set (For 480 Only)	上飾線勾針組(短)(限用 480)	1
52	★ 07403452	Presser Foot C. Set (For 480 Only).....	專用押具組(限用 480).....	1
53	07403453	Main Feed Dog C.Set.....	單切後送齒組.....	1
54	07400302	Screw (11/64-40X7.8).....	螺絲.....	2
55	07401011	Screw (1/8-44X4.8).....	螺絲.....	1

★請參照附件 1【針距規格表】






Ref.	Parts		Amt.
No.	No.	Description	品 名
			Req.
1	★	Double Side Cut Presser Foot C.Set.....	雙切押具組..... 1
3	07400615	Screw (11/64-40X6.3).....	螺絲..... 1
4	07400616	Carrier/Hook Driving Segment.....	上勾針驅動扇形片..... 1
5	07400617	Carrier/Hook Driving Lever Link.....	上勾針驅動連桿..... 2
6	07400618	Link Pin.....	連桿插銷..... 4
7	07400619	Screw (3/32-56X3.3).....	螺絲..... 4
8	07400620	Thread Hook Driving Lever.....	勾針驅動槓桿..... 1
9	07400621	Top Cover Thread Hook.....	上飾線過線勾..... 1
10	07400622	Screw (9/64-40X6.8).....	螺絲..... 1
11	07400623	Top Cover Thread Carrier Driving Lever...	上飾線托架驅動槓桿..... 1
12	07403512	Top Cover Thread Carrier.....	上飾線托架..... 1
13	07400338	Screw (1/8-44X5).....	螺絲..... 2
14	07400626	Presser Foot Attach Piece (Right).....	押腳連接片(右)..... 1
15	07403515	Presser Foot Attach Piece (Left).....	押腳連接片(左)..... 1
16	07400628	Screw(3/32-56X1.5).....	螺絲..... 5
17	07400629	Lower Knife.....	下切刀片..... 1
18	07403518	Lower Knife Clamp.....	下切刀夾板..... 1
19	07400631	Screw (1/8-44X3.5).....	螺絲..... 1
20	07400632	Yielding Section Spring.....	押具輔助座彈簧..... 1
23	07401823	Screw (3/32-56X2).....	螺絲..... 1
26	07400637	Screw (3/32-56X2.6).....	螺絲..... 2
27	07400638	Spring Plate Holder.....	彈簧片固定座..... 1
28	07403528	Chip Guard.....	切角防護片..... 1
29	07400640	Chip Guard Spring.....	切角防護片彈簧..... 1
30	07400641	Screw (1/8-44X3.4).....	螺絲..... 1
31	★ 07403531	Lap Former Guide.....	導布器..... 1
32	07401832	Screw (3/32-56X3.5).....	螺絲..... 1
33	07401833	Screw (3/32-56X3.9).....	螺絲..... 1
34	07403534	Lap Former Guide Support.....	導布器座..... 1
35	07401835	Lap Former Guide Spring.....	導布器彈簧片..... 1
36	07403536	Lap Former Guide C.Set.....	導布組..... 1
37	07400737	Knife Holder Spring.....	上切刀固定座彈簧..... 1
38	07403538	Knife Holder Guide Collar.....	刀台襯套..... 1
39	07400739	Screw (9/64-40X9).....	螺絲..... 1
40	07400740	Knife Holder Shank.....	上切刀固定座柄..... 1
41	07403541	Knife Holder Shank Support.....	上切刀固定座支架..... 1
42	07403542	Knife Holder Guide Collar C. Set.....	刀台組..... 1
43	★	Differential Feed Dog.....	前送齒..... 1
44	★	Main Feed Dog.....	後送齒..... 1

★請參照附件 1【針距規格表】



Ref.	Parts			Amt.
No.	No.	Description	品 名	Req.
45	07403545	Stitch Plate C.Set.....	針板組.....	1
46	★	Stitch Plate.....	針板.....	1
47	★	Stitch Plate Tongue.....	針板舌.....	1
48	07400547	Screw (3/32-56X2).....	螺絲.....	1
49	07403549	Frame Chip Guard Bracket.....	導布蓋支架.....	1
50	07400144	Frame Chip Guard Washer.....	導布蓋固定墊片.....	1
51	07403551	Frame Chip Guard.....	導布蓋.....	1
52	07400146	Frame Chip Guard Spring.....	導布蓋彈簧.....	1
53	07400147	Screw (M5-0.8X8.5).....	螺絲.....	1
54	07403554	Sewing Head Cover (Front).....	車台前蓋.....	1
55	07403555	Frame Chip Guard Support.....	導布蓋固定座.....	1
56	★ 07403556	Presser Foot Tongue.....	導布板.....	1
57	07871028	Nut.....	螺帽.....	1
58	07400150	Screw (9/64-40X7).....	螺絲.....	2
59	07400227	Screw (9/64-40X5).....	螺絲.....	2
60	07403560	Frame Chip Guard C.Set.....	導布蓋組.....	1
61	07400646	Top Cover Thread Hook C.Set.....	上飾線勾針組(長).....	1
62	07403562	Top Cover Thread Carrier C.Set.....	上飾線勾針組(短).....	1
63	07403563	Knife Holder Guide Collar C. Set.....	刀台組.....	1
64	07403564	Knife Holder Guide Collar C.Set.....	刀台襯套組.....	1
65	★ 07403565	Yielding Section.....	押具輔助座.....	1
66	★ 07403566	Presser Foot Spring Plate (Left).....	押具押板(左).....	1
67	★ 07403567	Presser Foot Spring Plate (Right).....	押具押板(右).....	1
71	★ 07403571	Double Side Cut Presser Foot (02-4L20)....	雙切段差厚料押腳.....	1
72	07400166	Warning Sticker.....	警告貼紙.....	1
73	07400353	Needle Thread Guide Wire.....	針線導架金屬線.....	1

★ 請參照附件 1【針距規格表】

針具規格	Main Parts Models							
		標準件	(選擇件)	標準件	(選擇件)			
		真針	真針	假針	假針			
448	D007R-448-01	11101032	-	11104013	-			
	D007R-448-01-AK	11101032	-	11104013	-			
	D007R-448-02	11101032	-	11104013	-			
	D007R-448-02-AK	11101032	-	11104013	-			
	D007R-448-02R	11101032	-	11104013	-			
	D007R-448-02R-AK	11101032	-	11104013	-			
452	D007R-452-01	11101030	-	11104010	-			
	D007R-452-01-AK	11101030	-	11104010	-			
	D007R-452-02	11101030	-	11104010	-			
	D007R-452-02-AK	11101030	-	11104010	-			
	D007R-452-02R	11101030	-	11104010	-			
	D007R-452-02R-AK	11101030	-	11104010	-			
	D007R-452-02H	11101030	-	11104010	-			
	D007R-452-02H-AK	11101030	-	11104010	-			
	D007R-452-02RH	11101030	-	11104010	-			
	D007R-452-02RH-AK	11101030	-	11104010	-			
	D007R-452-02-T1	11101030	-	11104010	-			
	D007R-452-02-T1-AK	11101030	-	11104010	-			
	D007R-452-01-T2	11101030	-	11104010	-			
	D007R-452-01-T2-AK	11101030	-	11104010	-			
	D007R-452-02-T2	11101030	-	11104010	-			
	D007R-452-02-T2-AK	11101030	-	11104010	-			
	D007R-452-02R-T2	11101030	-	11104010	-			
	D007R-452-02R-T2-AK	11101030	-	11104010	-			
	D007R-452-02H-T2	11101030	-	11104010	-			
	D007R-452-02H-T2-AK	11101030	-	11104010	-			
	D007R-452-01-S	11101030	-	11104010	-			
	D007R-452-01-S-AK	11101030	-	11104010	-			
	D007R-452-02-S	11101030	-	11104010	-			
	D007R-452-02-S-AK	11101030	-	11104010	-			
	D007R-452-01-DS	11102070	11303070	11104030	-			
	D007R-452-01-DS-AK	11102070	11303070	11104030	-			
	D007R-452-02-4L10	11101030	-	11104010	-			
	D007R-452-02-4L10-AK	11101030	-	11104010	-			
	D007R-452-02-4L15	11101030	-	11104010	-			
	D007R-452-02-4L15-AK	11101030	-	11104010	-			
	D007R-452-02-4L20	11101030	-	11104010	-			
	D007R-452-02-4L20-AK	11101030	-	11104010	-			
D007R-452-02-5L10	11101030	-	11104010	-				
D007R-452-02-5L10-AK	11101030	-	11104010	-				
D007R-452-02-5L15	11101030	-	11104010	-				
D007R-452-02-5L15-AK	11101030	-	11104010	-				
D007R-452-02-5L20	11101030	-	11104010	-				
D007R-452-02-5L20-AK	11101030	-	11104010	-				

460	D007R-460-01	11101030	-	11104010	-		
	D007R-460-01-AK	11101030	-	11104010	-		
	D007R-460-02	11101030	-	11104010	-		
	D007R-460-02-AK	11101030	-	11104010	-		
	D007R-460-02R	11101030	-	11104010	-		
	D007R-460-02R-AK	11101030	-	11104010	-		
	D007R-460-02H	11101030	-	11104010	-		
	D007R-460-02H-AK	11101030	-	11104010	-		
	D007R-460-02RH	11101030	-	11104010	-		
	D007R-460-02RH-AK	11101030	-	11104010	-		
	D007R-460-01-T2	11101030	-	11104010	-		
	D007R-460-01-T2-AK	11101030	-	11104010	-		
	D007R-460-02-T2	11101030	-	11104010	-		
	D007R-460-02-T2-AK	11101030	-	11104010	-		
	D007R-460-02R-T2	11101030	-	11104010	-		
	D007R-460-02R-T2-AK	11101030	-	11104010	-		
	D007R-460-02H-T2	11101030	-	11104010	-		
	D007R-460-02H-T2-AK	11101030	-	11104010	-		
	D007R-460-01-S	11101030	-	11104010	-		
	D007R-460-01-S-AK	11101030	-	11104010	-		
	D007R-460-02-S	11101030	-	11104010	-		
	D007R-460-02-S-AK	11101030	-	11104010	-		
	D007R-460-01-DS	11102070	11303070	11104030	-		
	D007R-460-01-DS-AK	11102070	11303070	11104030	-		
	D007R-460-02-4L10	11101030	-	11104010	-		
	D007R-460-02-4L10-AK	11101030	-	11104010	-		
	D007R-460-02-4L15	11101030	-	11104010	-		
	D007R-460-02-4L15-AK	11101030	-	11104010	-		
	D007R-460-02-4L20	11101030	-	11104010	-		
	D007R-460-02-4L20-AK	11101030	-	11104010	-		
	D007R-460-02-5L10	11101030	-	11104010	-		
	D007R-460-02-5L10-AK	11101030	-	11104010	-		
D007R-460-02-5L15	11101030	-	11104010	-			
D007R-460-02-5L15-AK	11101030	-	11104010	-			
D007R-460-02-5L20	11101030	-	11104010	-			
D007R-460-02-5L20-AK	11101030	-	11104010	-			
464	D007R-464-01	11101030	-	11104010	-		
	D007R-464-01-AK	11101030	-	11104010	-		
	D007R-464-02	11101030	-	11104010	-		
	D007R-464-02-AK	11101030	-	11104010	-		
	D007R-464-02R	11101030	-	11104010	-		
	D007R-464-02R-AK	11101030	-	11104010	-		
552	D007R-552-01	11101031	11101020	11104013	11104031		
	D007R-552-01-AK	11101031	11101020	11104013	11104031		
	D007R-552-02	11101031	11101020	11104013	11104031		
	D007R-552-02-AK	11101031	11101020	11104013	11104031		
	D007R-552-02R	11101031	11101020	11104013	11104031		
	D007R-552-02R-AK	11101031	11101020	11104013	11104031		
470	D007R-470-01-DS	11105100	-	-	-		
	D007R-470-01-DS-AK	11105100	-	-	-		
480	D007R-480-01-DS	11105100	-	-	-		
	D007R-480-01-DS-AK	11105100	-	-	-		

● 其他特殊選用 真針 : 11101040、11101050、11206030、11207070、11107100

● 其他特殊選用 假針 : 11104020

產品上之機針選用，及附件盒內配備之機針，有時會因客戶要求而有其他特殊選用、配備。

Main Parts		STITCH LENGTH SPECIFICATION																					針距規格表																																																																																																																																																																																																																																																																																																																																																																																																																																																																																																																																																																																																																																																																																																																																																																																						
Models	Driving Sprocket		Driving Lever Link		Link Pin		Screw		Throat Hook Drive Lever		Thread Hook		Screw		Throat Carrier Drive Lever		Thread Carrier		Attach Piece (Left)		Lower Knife		Lower Knife Clamp		Yielding Section		Spring Plate (Left) Short		Spring Plate (Right) Short		Spring Plate (Left) Long		Spring Plate (Right) Long		Chop Guard		Spacer		Screw		Presser Foot Tongue		Driving Lever		Driving Lever		Screw		Presser Foot C-Set		Needle Clamp		Stitch Plate		Stitch Plate Tongue		Main Feed Dog		Differential Feed Dog		Needle Guard (Res)		Tension Spring		Lap Former Guide		Lap Former Guide Support		Lap Former Guide Support		Lap Former Guide Plate		Lap Former Guide Plate		Sewing Cylinder Cover (Upper)		Cylinder Frame Cover (Upper)		Knife Support		Upper Knife		Knife Holder		Frame ship Cover		Cover		Tape Holder C-Set		Tape Foot Support C-Set		Tape/Elastic Feeding Device		AW1 Bag Set		AW2 Case Set																																																																																																																																																																																																																																																																																																																																																																																																																																																																																																																																																																																																																																																																																																												
	1	2	3	4	5	6	7	8	9	10	11	12	13	14	15	16	17	18	19	20	21	22	23	24	25	26	27	28	29	30	31	32	33	34	35	36	37	38	39	40	41	42	43	44	45	46	47	48	49	50	51	52	53	54	55	56	57	58	59	60	61	62	63	64	65	66	67	68	69	70	71	72	73	74	75	76	77	78	79	80	81	82	83	84	85	86	87	88	89	90	91	92	93	94	95	96	97	98	99	100																																																																																																																																																																																																																																																																																																																																																																																																																																																																																																																																																																																																																																																																																																									
448	D007R-448-01	07400616	07400617	07400618	07400619	07400620	07400621	07400622	07400623	07400624	07400625	07400626	07400627	07400628	07400629	07400630	07400631	07400632	07400633	07400634	07400635	07400636	07400637	07400638	07400639	07400640	07400641	07400642	07400643	07400644	07400645	07400646	07400647	07400648	07400649	07400650	07400651	07400652	07400653	07400654	07400655	07400656	07400657	07400658	07400659	07400660	07400661	07400662	07400663	07400664	07400665	07400666	07400667	07400668	07400669	07400670	07400671	07400672	07400673	07400674	07400675	07400676	07400677	07400678	07400679	07400680	07400681	07400682	07400683	07400684	07400685	07400686	07400687	07400688	07400689	07400690	07400691	07400692	07400693	07400694	07400695	07400696	07400697	07400698	07400699	07400700	07400701	07400702	07400703	07400704	07400705	07400706	07400707	07400708	07400709	07400710	07400711	07400712	07400713	07400714	07400715	07400716	07400717	07400718	07400719	07400720	07400721	07400722	07400723	07400724	07400725	07400726	07400727	07400728	07400729	07400730	07400731	07400732	07400733	07400734	07400735	07400736	07400737	07400738	07400739	07400740	07400741	07400742	07400743	07400744	07400745	07400746	07400747	07400748	07400749	07400750	07400751	07400752	07400753	07400754	07400755	07400756	07400757	07400758	07400759	07400760	07400761	07400762	07400763	07400764	07400765	07400766	07400767	07400768	07400769	07400770	07400771	07400772	07400773	07400774	07400775	07400776	07400777	07400778	07400779	07400780	07400781	07400782	07400783	07400784	07400785	07400786	07400787	07400788	07400789	07400790	07400791	07400792	07400793	07400794	07400795	07400796	07400797	07400798	07400799	07400800	07400801	07400802	07400803	07400804	07400805	07400806	07400807	07400808	07400809	07400810	07400811	07400812	07400813	07400814	07400815	07400816	07400817	07400818	07400819	07400820	07400821	07400822	07400823	07400824	07400825	07400826	07400827	07400828	07400829	07400830	07400831	07400832	07400833	07400834	07400835	07400836	07400837	07400838	07400839	07400840	07400841	07400842	07400843	07400844	07400845	07400846	07400847	07400848	07400849	07400850	07400851	07400852	07400853	07400854	07400855	07400856	07400857	07400858	07400859	07400860	07400861	07400862	07400863	07400864	07400865	07400866	07400867	07400868	07400869	07400870	07400871	07400872	07400873	07400874	07400875	07400876	07400877	07400878	07400879	07400880	07400881	07400882	07400883	07400884	07400885	07400886	07400887	07400888	07400889	07400890	07400891	07400892	07400893	07400894	07400895	07400896	07400897	07400898	07400899	07400900	07400901	07400902	07400903	07400904	07400905	07400906	07400907	07400908	07400909	07400910	07400911	07400912	07400913	07400914	07400915	07400916	07400917	07400918	07400919	07400920	07400921	07400922	07400923	07400924	07400925	07400926	07400927	07400928	07400929	07400930	07400931	07400932	07400933	07400934	07400935	07400936	07400937	07400938	07400939	07400940	07400941	07400942	07400943	07400944	07400945	07400946	07400947	07400948	07400949	07400950	07400951	07400952	07400953	07400954	07400955	07400956	07400957	07400958	07400959	07400960	07400961	07400962	07400963	07400964	07400965	07400966	07400967	07400968	07400969	07400970	07400971	07400972	07400973	07400974	07400975	07400976	07400977	07400978	07400979	07400980	07400981	07400982	07400983	07400984	07400985	07400986	07400987	07400988	07400989	07400990	07400991	07400992	07400993	07400994	07400995	07400996	07400997	07400998	07400999	07401000	07401001	07401002	07401003	07401004	07401005	07401006	07401007	07401008	07401009	07401010	07401011	07401012	07401013	07401014	07401015	07401016	07401017	07401018	07401019	07401020	07401021	07401022	07401023	07401024	07401025	07401026	07401027	07401028	07401029	07401030	07401031	07401032	07401033	07401034	07401035	07401036	07401037	07401038	07401039	07401040	07401041	07401042	07401043	07401044	07401045	07401046	07401047	07401048	07401049	07401050	07401051	07401052	07401053	07401054	07401055	07401056	07401057	07401058	07401059	07401060	07401061	07401062	07401063	07401064	07401065	07401066	07401067	07401068	07401069	07401070	07401071	07401072	07401073	07401074	07401075	07401076	07401077	07401078	07401079	07401080	07401081	07401082	07401083	07401084	07401085	07401086	07401087	07401088	07401089	07401090	07401091	07401092	07401093	07401094	07401095	07401096	07401097	07401098	07401099	07401100	07401101	07401102	07401103	07401104	07401105	07401106	07401107	07401108	07401109	07401110	07401111	07401112	07401113	07401114	07401115	07401116	07401117	07401118	07401119	07401120	07401121	07401122	07401123	07401124	07401125	07401126	07401127	07401128	07401129	07401130	07401131	07401132	07401133	07401134	07401135	07401136	07401137	07401138	07401139	07401140	07401141	07401142	07401143	07401144	07401145	07401146	07401147	07401148	07401149	07401150	07401151	07401152	07401153	07401154	07401155	07401156	07401157	07401158	07401159	07401160	07401161	07401162	07401163	07401164	07401165	07401166	07401167	07401168	07401169	07401170	07401171	07401172	07401173	07401174	07401175	07401176	07401177	07401178	07401179	07401180	07401181	07401182	07401183	07401184	07401185	07401186	07401187	07401188	07401189	07401190	07401191	07401192	07401193	07401194	07401195	07401196	07401197	07401198	07401199	07401200	07401201	07401202	07401203	07401204	07401205	07401206	07401207	07401208	07401209	07401210	07401211	07401212	07401213	07401214	07401215	07401216	07401217	07401218	07401219	07401220	07401221	07401222	07401223	07401224	07401225	07401226	07401227	07401228	07401229	07401230	07401231	07401232	07401233	07401234	07401235	07401236	07401237	07401238	07401239	07401240	07401241	07401242	07401243	07401244	07401245	07401246	07401247	07401248	07401249	07401250	07401251	07401252	07401253	07401254	07401255	07401256	07401257	07401258	07401259	07401260	07401261	07401262	07401263	07401264	07401265	07401266	07401267	07401268	07401269	07401270	07401271	07401272	07401273	07401274	07401275	07401276	07401277	07401278	07401279	07401280	07401281	07401282	07401283	07401284	07401285	07401286	07401287	07401288	07401289	07401290	07401291	07401292	07401293	07401294	07401295	07401296	07401297	07401298	07401299	07401300	07401301	07401302	07401303	07401304	07401305	07401306	07401307	07401308	07401309	07401310	07401311	07401312	07401313	07401314	07401315	07401316	07401317	07401318	07401319	07401320	07401321	07401322	07401323	07401324	07401325	07401326	07401327	07401328	07401329	07401330	07401331	07401332	07401333	07401334	07401335	07401336	07401337	07401338	07401339	07401340	07401341	07401342	07401343	07401344	07401345	07401346	07401347	07401348	07401349	07401350	07401351	07401352	07401353	07401354	07401355	07401356	07401357	07401358	07401359	07401360	07401361	07401362	07401363	07401364	07401365	07401366	07401367	07401368	07401369	07401370	07401371	07401372	07401373	07401374	07401375	07401376	07401377	07401378	07401379	07401380	07401381	07401382	07401383	07401384	07401385	07401386	07401387	07401388	07401389	07401390	07401391	07401392	07401393	07401394	07401395



D007R

高林股份有限公司 KAULIN MFG. CO.,LTD.

From the library of: Diamond Needle Corp